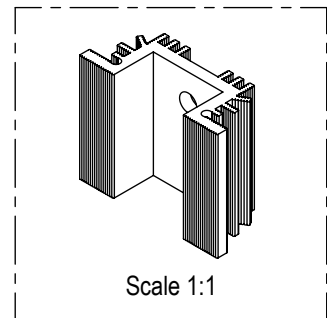
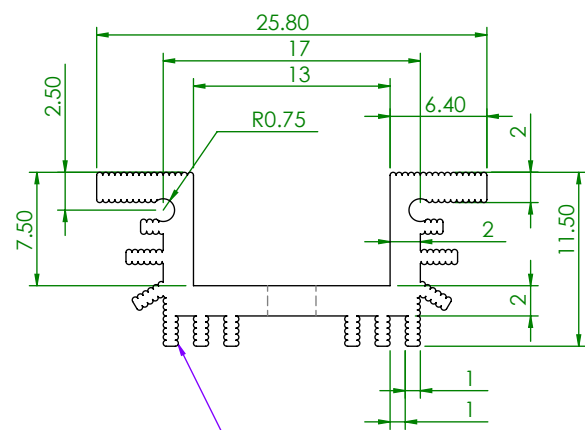
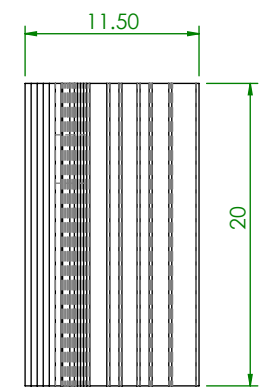
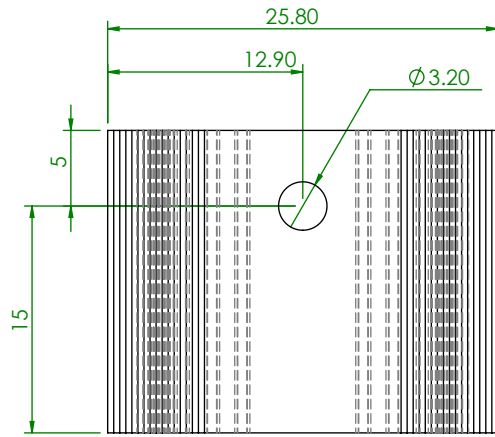

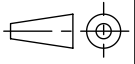


**Note**  
 Drawing this is property of Electronic Source Company.  
 Forbid expose before get permitted.  
 Otherwise will have illegitimacy.



ชั้นลายที่ผิวด้วย  
 ขนาด  $\varnothing 0.4$  โดยประมาณ

REVISIONS:			Electronic Source Co.,Ltd Unit 1702, Floor 17, Central Plaza Pinklao Bldg. Tel:(662)8849210, Fax:(662)8849213-14	
00	DATE:			
NAME:	DATE:	PART NO. :	SINK-ES-02-V1	
DRAWN: Mr.Anan Radomsuk	1/04/2016	DESCRIPTION :		
CHK'D: Mr.Anan Radomsuk		HEAT SINK		
APP'VD: Mr.Kaelic		DWG NO.:		
DIMENSIONS IN: MM.	SURFACE FINISH:			
TOLERANCES:		MATERIAL:		
LINEAR: $\pm 0.1$	-		Aluminium	
ANGULAR: $\pm 0.1^\circ$				
				<b>A4</b>