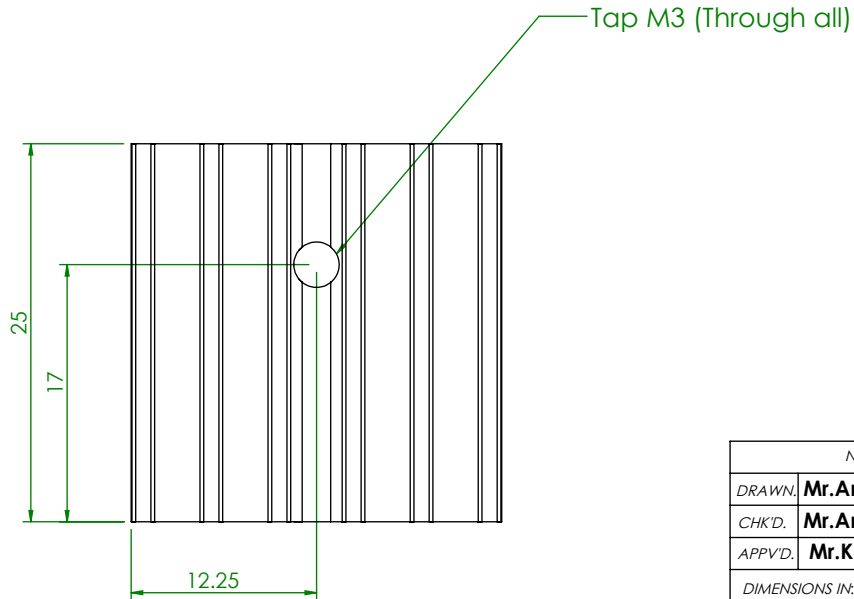
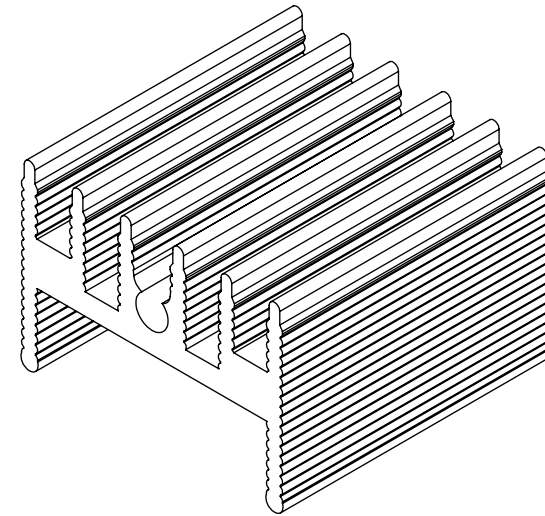
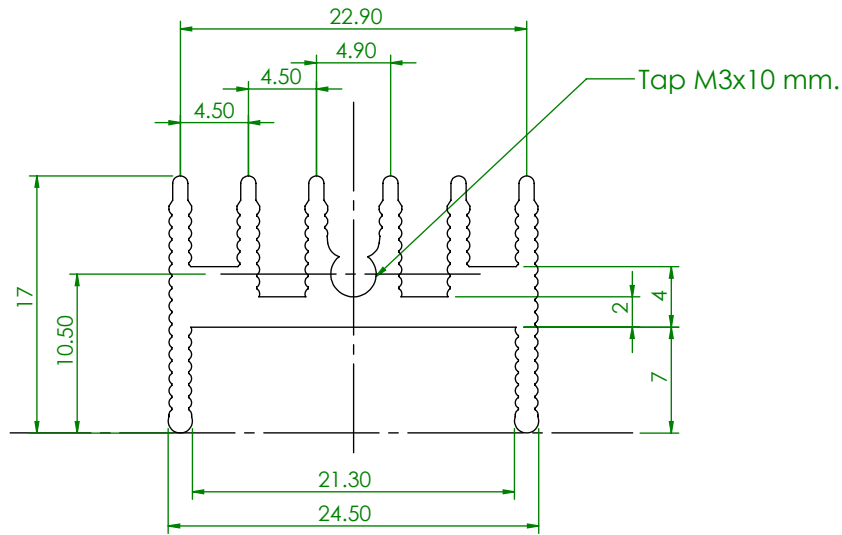

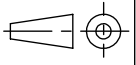


Note
 Drawing this is property of Electronic Source Company.
 Forbid expose before get permitted.
 Otherwise will have illegitimacy.



REVISIONS:			Electronic Source Co.,Ltd Unit 1702, Floor 17, Central Plaza Pinklao Bldg. Tel:(662)8849210, Fax:(662)8849213-14	
00	DATE:			
NAME:	DATE:	TITLE PART: Sink - 02207		
DRAWN: Mr.Anan Radomsuk	22/02/2012	PROJECT:		
CHK'D: Mr.Anan Radomsuk		-		
APPV'D: Mr.Kaelic		DWG NO. Sink - 02207		
DIMENSIONS IN: MM.	SURFACE FINISH: Silver color			A4
TOLERANCES: LINEAR: ± 0.1 ANGULAR: ± 0.1 °	MATERIAL: Aluminium			
SCALE: 2 : 1		SHEET: 1 OF 1		