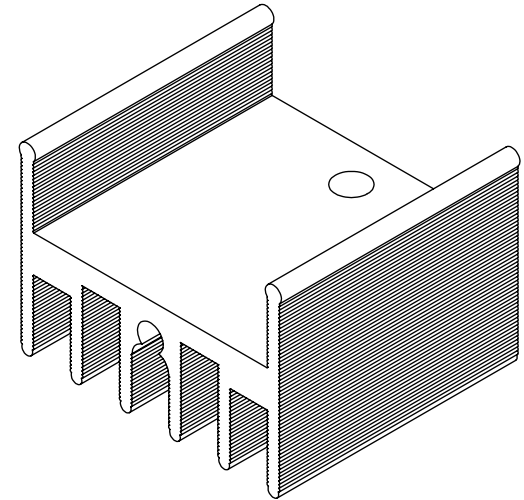
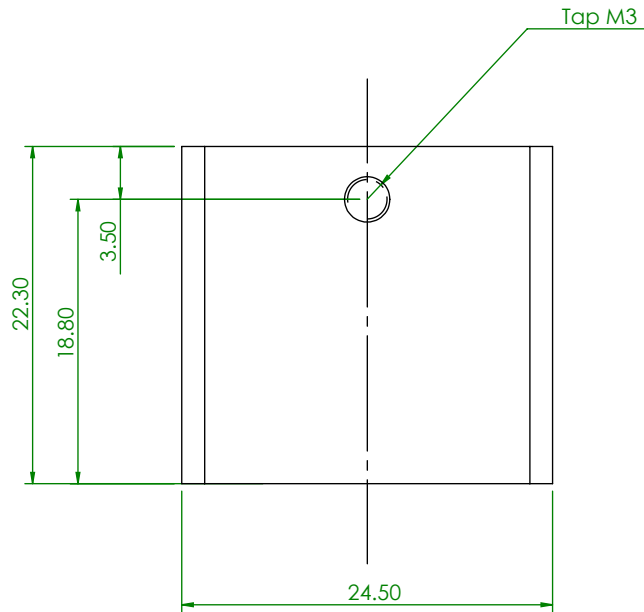
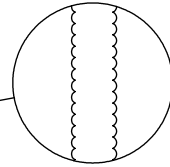
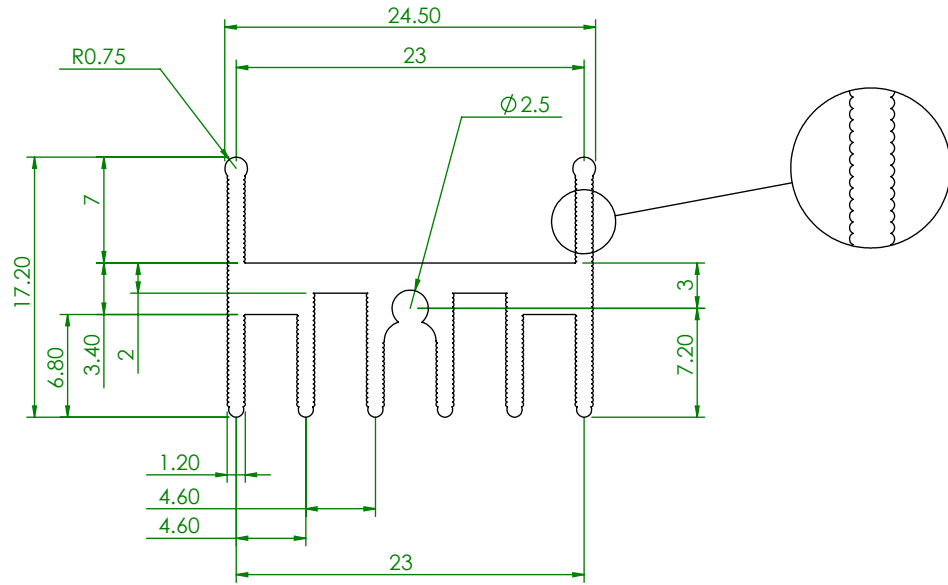

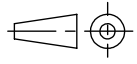


Note
 Drawing this is property of Electronic Source Company.
 Forbid expose before get permitted.
 Otherwise will have illegitimacy.



		REVISIONS:		
		00		
NAME:		DATE:	 Electronic Source Co.,Ltd	
DRAWN:	Mr.Anan Radomsuk	27/06/2013	Mfr-P/N :	SINK-02207-NP
CHK'D:	Mr.Anan Radomsuk		ES-P/N :	595-0014-8
APPV'D:	Mr.Kaelic		DWG NO.:	-
DIMENSIONS IN: MM.		SURFACE FINISH:		 A4
		Silver color		
TOLERANCES:		MATERIAL:		
LINEAR: ± 0.1		Aluminium		
ANGULAR: ± 0.1 °				
SCALE: 2 : 1			SHEET: 1 OF 1	