



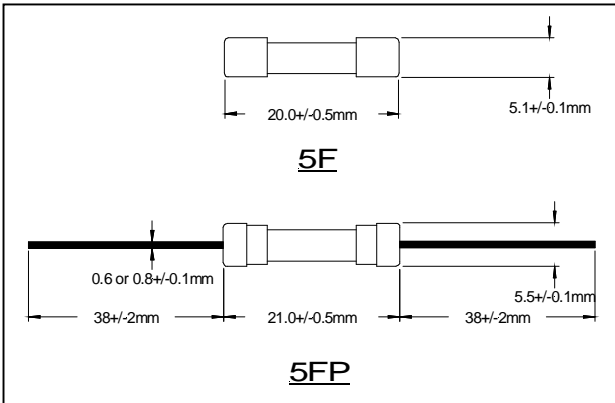
5F, 5FP 歐規, 玻璃管, 低分斷, 快熔斷

European Standard 5x20mm LBC Quick Acting Fuse

Sun Fuse **RoHS**



Functional Characteristics 電氣特性			
Testing current 測試電流	Rating range 額定電流值範圍	Blow time limit 熔斷時間	
		Min 最小	Max 最大
150%	80mA - 10A	1 hour (小時)	-
210%	80mA - 10A	-	1800 sec (秒)
275%	80mA - 100mA 125mA - 10A	10ms(毫秒) 50ms(毫秒)	500ms(毫秒) 2 sec (秒)
400%	80mA - 100mA 125mA - 10A	3ms(毫秒) 10ms(毫秒)	100ms(毫秒) 300ms(毫秒)
1000%	80mA - 6.3A 8A - 10A	-	20ms(毫秒) 30ms(毫秒)



Safety Approvals (安全認証)

5F is VDE and CCC approved from 500mA to 6.3A per IEC127-2 standard sheet 2. 5F, 5FP are UL recognized and CSA component accepted from 80mA to 10A at 250V.

Marking (印字)

Sun trademark and approval logo's where appropriate, "F", current rating, "L" and voltage rating are stamped on the fuse end caps.

RoHS compliant and lead-free version is identified by an additional logo of "G" in a circle.

Another RoHS compliant but not lead-free version is identified by suffix (R).

Material (材料)

Fuse body - glass tube

End cap - nickel plated brass

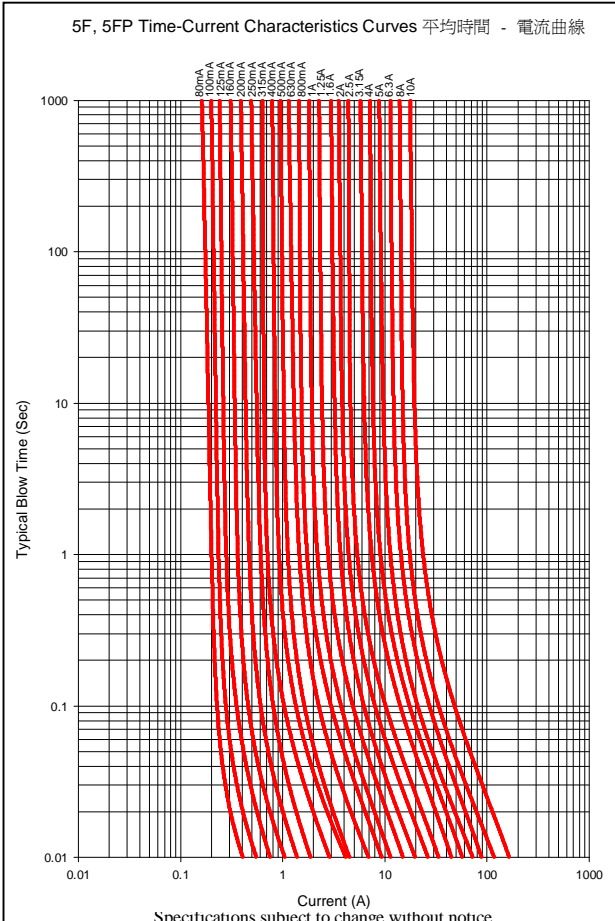
Pigtail - tin plated copper on nickel plated brass cap

Packing (包裝)

Bulk pack of 1000pcs per box (5x200pcs per plastic bag) for 5F and 500pcs for 5FP.

RoHS

RoHS compliant version (EU Directive 2002/95/EC) is available. Please add suffix (G) or (R) to order.



Reference Information 參考資料					
Current Rating 額定電流 (A)	Voltage Rating 額定電壓 (V)	Avg Cold Resistance 平均電阻 (ohm)	Avg V - drop 平均電壓降 (mV)	Avg Power Dissipation 平均消耗功率 (W)	Average I ² t value 熔化熱能 (A ² sec)
0.080	250	6.06	668	0.32	0.002
0.100	250	4.47	639	0.39	0.003
0.125	250	3.26	605	0.43	0.006
0.160	250	2.31	571	0.53	0.011
0.200	250	1.64	544	0.62	0.019
0.250	250	1.17	514	0.74	0.035
0.315	250	0.81	485	0.86	0.081
0.400	250	0.56	461	0.97	0.17
0.500	250	0.16	92	0.13	0.46
0.630	250	0.13	92	0.17	0.80
0.800	250	0.096	92	0.22	1.22
1.0	250	0.078	90	0.27	1.65
1.25	250	0.060	90	0.34	2.74
1.6	250	0.044	84	0.41	4.26
2	250	0.033	80	0.48	7.80
2.5	250	0.030	90	0.79	11.1
3.15	250	0.022	88	0.90	19.7
4	250	0.017	86	1.14	32.3
5	250	0.014	86	1.43	51.7
6.3	250	0.011	84	1.80	76.9
8	250	0.008	82	2.28	136
10	250	0.006	78	2.55	267

Note (備注):

- The Voltage Drop values are measured at 100% rated current.
- The Power Dissipation values are measured after testing at 150% rated current for one hour.
- The above figures are typical values for reference only and should not be used as acceptance criteria.
- Please consult factory for availability of other ratings.