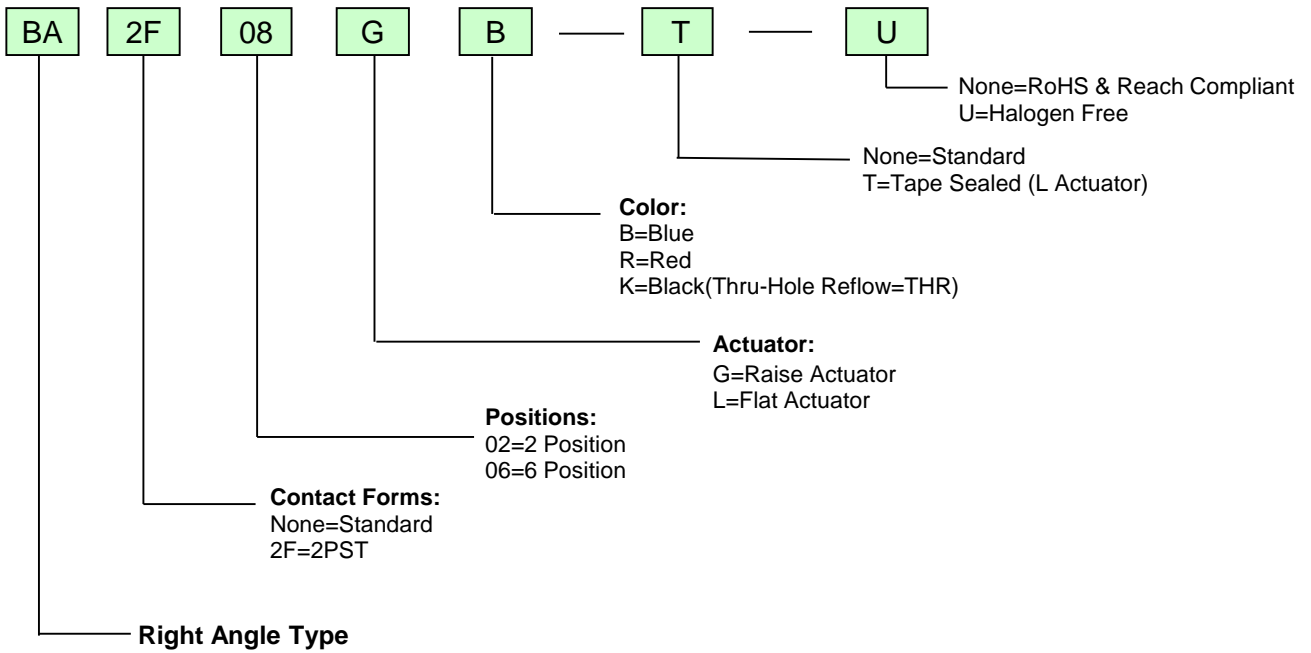


<b>MODEL</b>	<b>SPECIFICATION</b> <b>DIP SWITCH</b> <b>RoHS &amp; REACH Compliant / Halogen Free</b>	SP-001	Page
<b>BA series</b> <b>Right Angle Type</b>			1/4

### Order Information



### Specifications

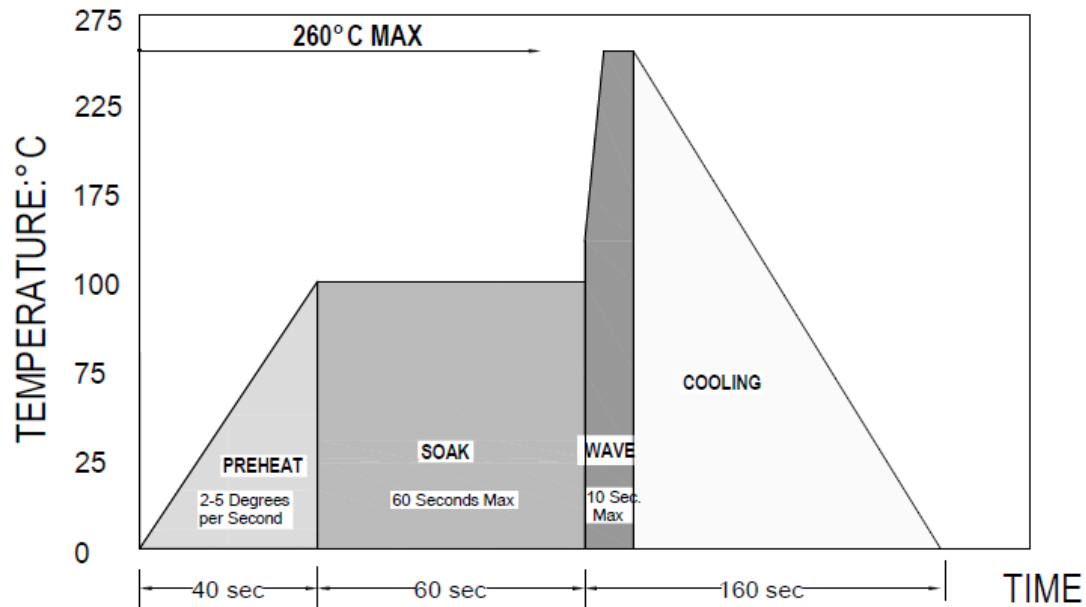
◆ Contact Rating	Switching.....25mA, 24VDC
	Non-Switching.....100mA, 50VDC
◆ Contact Resistance	Initial.....50mΩ Max
	After Reliability Test.....100mΩ Max
◆ Insulation Resistance	.....100MΩ Min. at 500 VDC
◆ Dielectric Strength	.....500VAC/ 1 minute
◆ Operating Force	.....1,000g Max
◆ Travel	.....1.8mm
◆ Mechanical Life	..... <b>5,000 cycles (Min.)</b>
◆ Electrical Life	..... <b>2,000 cycles/ 25mA, 24 VDC</b>
◆ Operating Temperature	THR.....-40°C ~ +105°C
	THT.....-40°C ~ +85°C
◆ Storage Temperature	.....-40°C ~ +85°C

### Recommended Soldering Information

- ◆ **Hand Soldering**  
Soldering iron of 30W or under at 350°C for 3 sec. max. or at 270°C for 5 sec. max.
- ◆ **Wave Soldering**  
For lead free wave solder simulation of typical components, the solder bath temperature shall be maintained to at 260±5°C for 10 sec. max.
- ◆ **Keep all actuators in "OFF" position during soldering and cleaning processes.**

<b>MODEL</b>	<b>SPECIFICATION</b> <b>DIP SWITCH</b> <b>RoHS &amp; REACH Compliant / Halogen Free</b>	SP-002	Page
<b>BA series</b> <b>Right Angle Type</b>			2/4

### Recommended Wave Soldering Profiles



**Maximum dwell time in the solder wave (260°C) shall not exceed 10 seconds.**

#### Switch Operation and Taping

- (1) Use tweezers for operation
- (2) Flux cleaning should be done without removing the Tape.
- (3) If the tape is removed, it adheres less than before when it is placed back on, possibly causing flux inflow
- (4) Ultrasonic cleaning not recommended without Tape sealed.

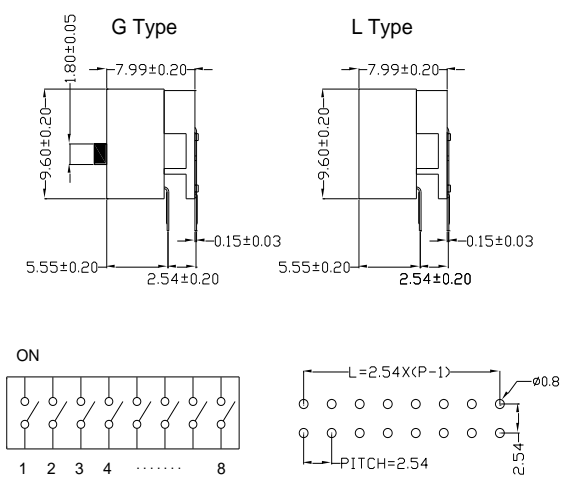
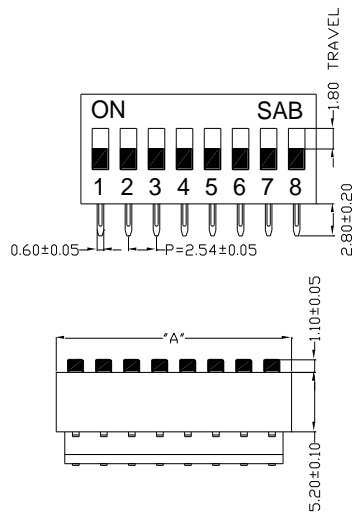
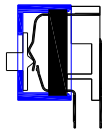
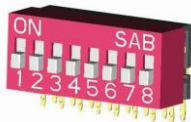
- ※ All switches must set in OFF position when through Soldering process.
- ※ Any flux enters the switch may influence contact function.

<b>MODEL</b>	<b>SPECIFICATION</b> <b>DIP SWITCH</b> <b>RoHS &amp; REACH Compliant / Halogen Free</b>	SP-003	Page
<b>BA series</b> <b>Right Angle Type</b>			3/4

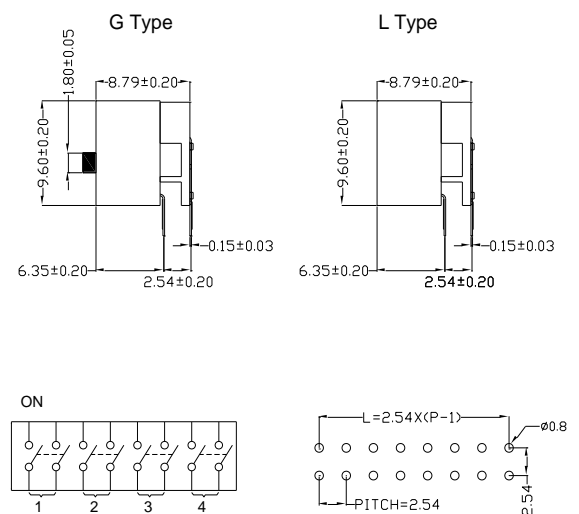
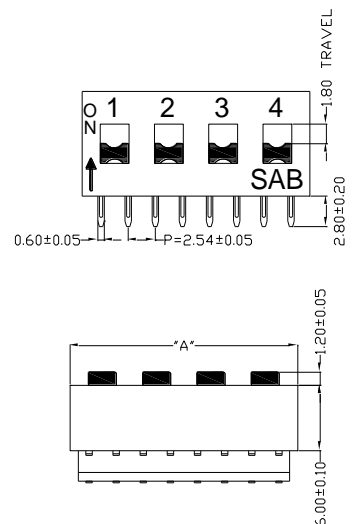
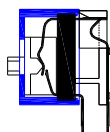
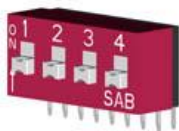
**Materials:**

◆ Cover	.....	Thermoplastic UL 94-HB, Red/ Blue
	.....	Thermoplastic UL 94V-0, Black(THR)
◆ Base	.....	Thermoplastic UL 94-HB, Black
	.....	Thermoplastic UL 94V-0, Black(THR)
◆ Actuator	.....	Thermoplastic UL 94-HB, White/ White(THR)
◆ Support	.....	Thermoplastic UL 94-HB, Black
	.....	Thermoplastic UL 94V-0, Black(THR)
◆ Contact	.....	Cooper Alloy, 1u" Gold-Plated over Nickel
◆ Terminal	.....	Cooper Alloy, Tin-Plated over Nickel
◆ Tape	.....	.....Polyimide Film

**BA**



**BA2F**



<b>MODEL</b>	<b>SPECIFICATION</b> <b>DIP SWITCH</b> <b>RoHS &amp; REACH Compliant / Halogen Free</b>	SP-004	Page
<b>BA series</b> <b>Right Angle Type</b>			4/4

**Part Number Table:**

**BA**

No. Pos.	Dim. "A"	Raise Actuator Red Standard Tube Package	Flat Actuator Blue Standard Tube Package
2	6.08	BA02GR	BA02LB
3	8.62	BA03GR	BA03LB
4	11.16	BA04GR	BA04LB
5	13.70	BA05GR	BA05LB
6	16.24	BA06GR	BA06LB
7	18.78	BA07GR	BA07LB
8	21.32	BA08GR	BA08LB
9	23.86	BA09GR	BA09LB
10	26.40	BA10GR	BA10LB
12	31.48	BA12GR	BA12LB

**BA2F**

No. Pos.	Dim. "A"	Raise Actuator Red Tube Package
1	6.08	BA2F01GR
2	11.16	BA2F02GR
3	16.24	BA2F03GR
4	21.32	BA2F04GR
5	26.40	BA2F05GR
6	31.48	BA2F06GR

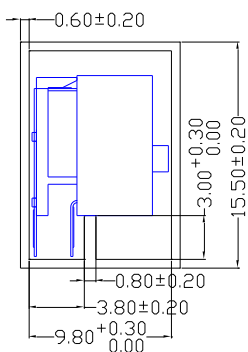
**Tube Package**

**BA**

POLE	1	2	3	4	5	6	7	8	9	10	12
TUBE	148	85	61	47	38	32	28	24	22	20	16
BOX	8288	4760	3416	2632	2128	1792	1568	1344	1232	1120	896
CTN 1	16576	9520	6832	5264	4256	3584	3136	2688	2464	2240	1792
CTN 2	33152	19040	13664	10528	8512	7168	6272	5376	4928	4480	3584

**BA2F**

POLE	1	2	3	4	5	6
TUBE	85	47	32	24	20	16
BOX	4760	2632	1792	1344	1120	896
CTN 1	9520	5264	3584	2688	2240	1792
CTN 2	19040	10528	7168	5376	4480	3584



**Box Dimension:**

◆ Tube .....56.5cm x 12.8cm x 12.3cm

**Carton Dimension:**

◆ Tube 2 Boxes.....58.0cm x 28.0cm x 14.5cm  
4 Boxes.....58.0cm x 28.0cm x 26.0cm