

RML-23 Series



Special features



Adjustable Angle



High-performance COB light source



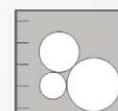
Various light colors



Excellent thermal dissipation



Different light distributions



Various sizes

Applications

- Convention Center
- Bussiness Center
- Offices
- Hotels
- Museums
- Hospitals
- Boutiques
- Home
- Leisure Space. Etc



Part number system

RML-23 - B R 12 30 W - 15D
X1 X2 X3 X4 X5 X6 X7

X1=Series
X2=Type
X3= Shape
R=Round
S=Square

X4=Rated power
03= 3 Watts
06= 6 Watts
12= 12 Watts
22= 22 Watts

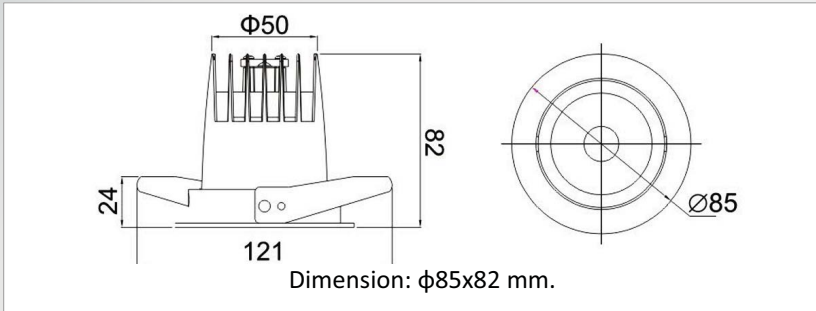
X5=Color temperature
30=3000 K
40=4000 K
57=5700 K

X7=View angle
15D= 15 °
24D= 24 °
35D= 35 °

X6=Shell color
W=White

RML-23 Series

Dimensions



Cut-Out: $\phi 75$ mm.



Specifications

Specifications RML-23 (12W)

Rated power	12 W
Current	300 mA/37 Vdc
Light source	Edison HM09
Optical system	$\phi 52$ Len

Illuminance for different color

Product Part Number	Beam Angle	Color	Color Temperature	Luminous Flux
RML-23-BR1230W-15D	15°	Warm White	3000 K	1103 Lm
RML-23-BR1240W-15D		Neutral White	4000 K	1214 Lm
RML-23-BR1257W-15D		Daylight	5700 K	1181 Lm
RML-23-BR1230W-24D	24°	Warm White	3000 K	1161 Lm
RML-23-BR1240W-24D		Neutral White	4000 K	1278 Lm
RML-23-BR1257W-24D		Daylight	5700 K	1243 Lm
RML-23-BR1230W-35D	35°	Warm White	3000 K	1160 Lm
RML-23-BR1240W-35D		Neutral White	4000 K	1277 Lm
RML-23-BR1257W-35D		Daylight	5700 K	1242 Lm

Light distribution curve

