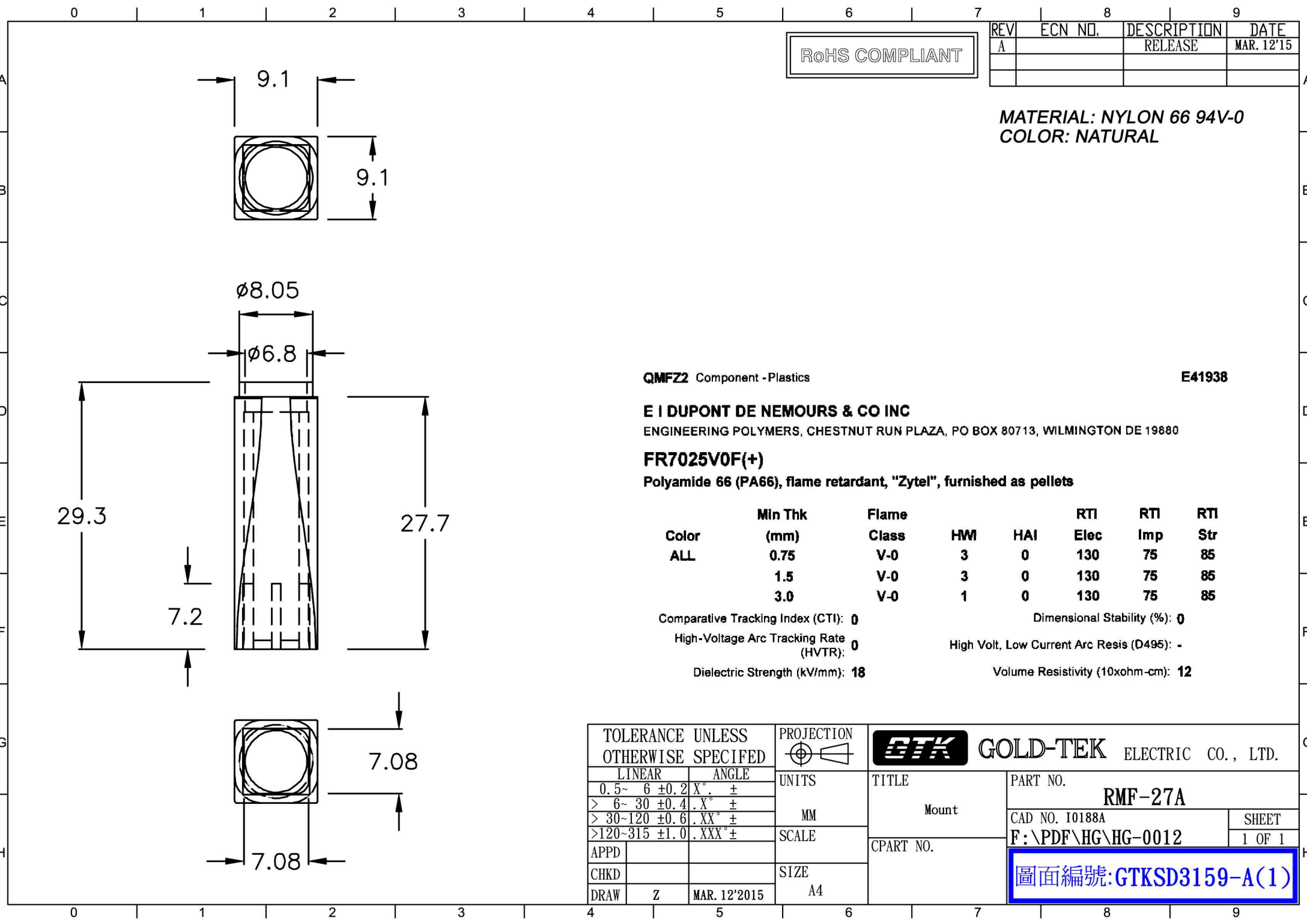


RoHS COMPLIANT

REV	ECN NO.	DESCRIPTION	DATE
A		RELEASE	MAR. 12'15

**MATERIAL: NYLON 66 94V-0**  
**COLOR: NATURAL**



**QMFZ2 Component -Plastics** **E41938**

**E I DUPONT DE NEMOURS & CO INC**  
ENGINEERING POLYMERS, CHESTNUT RUN PLAZA, PO BOX 80713, WILMINGTON DE 19880

**FR7025V0F(+)**  
Polyamide 66 (PA66), flame retardant, "Zytel", furnished as pellets

Color	Min Thk (mm)	Flame Class	HM	HAI	RTI Elec	RTI Imp	RTI Str
ALL	0.75	V-0	3	0	130	75	85
	1.5	V-0	3	0	130	75	85
	3.0	V-0	1	0	130	75	85

Comparative Tracking Index (CTI): **0** Dimensional Stability (%): **0**  
 High-Voltage Arc Tracking Rate (HVTR): **0** High Volt. Low Current Arc Resis (D495): -  
 Dielectric Strength (kV/mm): **18** Volume Resistivity (10xohm-cm): **12**

TOLERANCE UNLESS OTHERWISE SPECIFIED		PROJECTION			ELECTRIC CO., LTD.	
LINEAR	ANGLE	UNITS	TITLE	PART NO.		
0.5~6 ±0.2	X° ±			RMF-27A		
>6~30 ±0.4	.XX° ±			CAD NO. I0188A		
>30~120 ±0.6	.XX° ±			SHEET		
>120~315 ±1.0	.XXX° ±	MM	Mount	F:\PDF\HG\HG-0012		
APPD		SCALE	CPART NO.	1 OF 1		
CHKD		SIZE		圖面編號:GTKSD3159-A(1)		
DRAW	Z	A4				
	MAR. 12'2015					