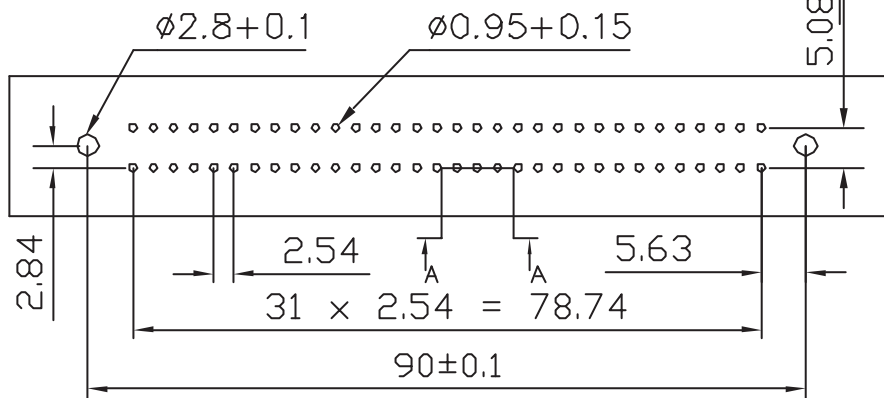
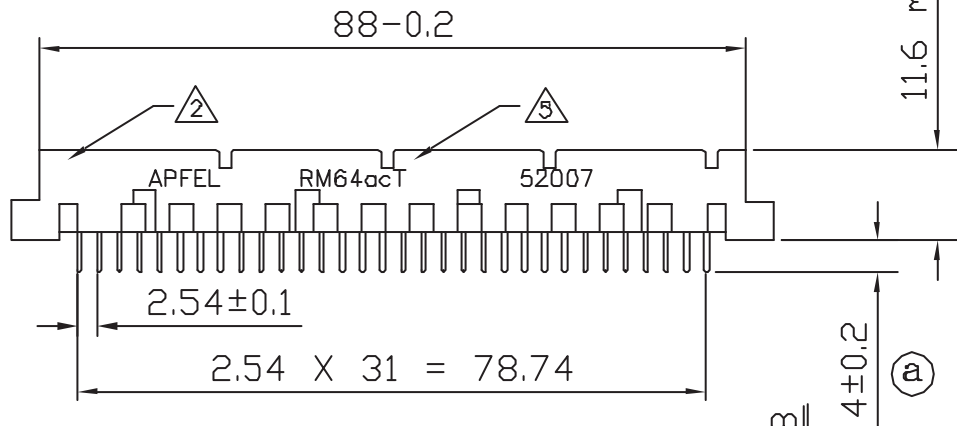
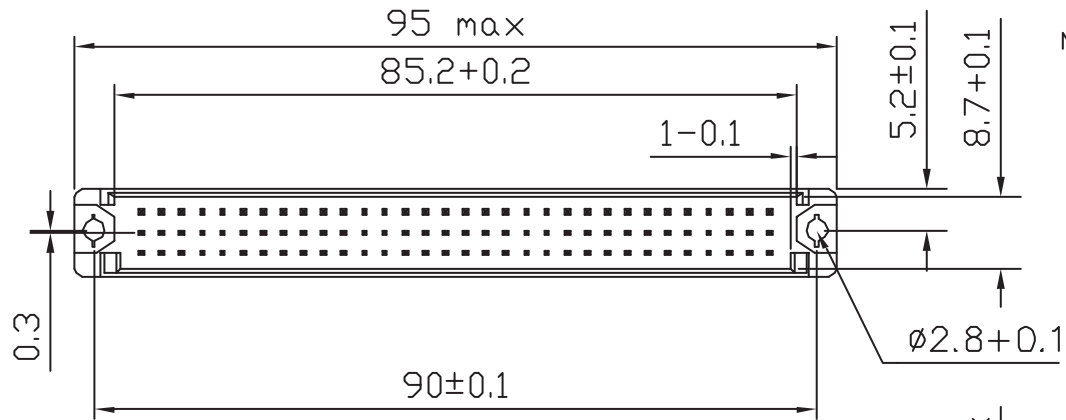


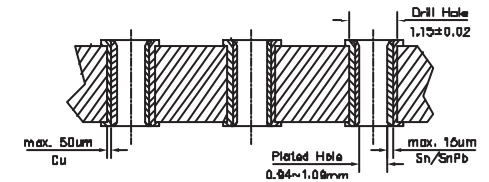
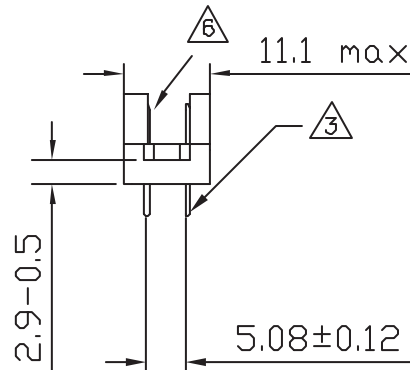
REV	DESCRIPTION OF REVISIONS	DATE	DRAWN	CHECKED
A	FIRST RELEASE	04/29/2005	ST Ling	H Shen



RECOMMENDED PCB HOLE LAYOUT
COMPONENT SIDE
SCALE 1 : 1

NOTES :

- ① CONNECTOR MEETS REQUIREMENT OF DIN 41612
- ② MATERIAL :
-HOUSING : GLASS-FILLED PBT, COLOR GREY, UL 94V-0
-CONTACT : COPPER ALLOY
- ③ CONTACT TAIL DIMENSION (THICKNESS x WIDTH x LENGTH)
-T : 0.48±0.03 x 0.48±0.03 x 4±0.2
-T2.5 : 0.48±0.03 x 0.48±0.03 x 2.5±0.2
- ④ CONTACT FINISH (OPTION IN PART NUMBER)
-1: 30u*(0.75um) GOLD PLATING ON MATING AREA, TIN PLATING ON TAIL AREA, FLASH GOLD PLATING ON NON-MATING AREA, NICKEL UNDERPLATE ALLOY
-2: 15u*(0.38um) GOLD PLATING ON MATING AREA, TIN PLATING ON TAIL AREA, FLASH GOLD PLATING ON NON-MATING AREA, NICKEL UNDERPLATE ALLOY
BLANK: FLASH GOLD PLATING ON MATING AREA AND NON-MATING AREA, TIN PLATING ON TAIL AREA, NICKEL UNDERPLATE ALLOY
- ⑤ CONNECTOR PRINTED WITH COMPANY NAME, PART NUMBER, AND BATCH NUMBER
- ⑥ CONTACT MATING SIDE LENGTH
-STANDARD : 5.05-0.25mm
-EXTENDED : 5.6+D.2/-0.05mm
-SHORT : 4.25+D.1/-0.05mm



RECOMMENDED HOLE SPECIFICATIONS
SECTION A-A
SCALE 6 : 1

DESCRIPTION : MALE, TYPE R, 84 CONTACTS, STRAIGHT SOLDER CONNECTOR CUSTOMER DRAWING		APFEL		MILLIMETRES	
PART NUMBER				X XXX	±D.012
NO.1 RM64acT-1	NO.4 RM64acT2.5-1	DRAWN	UNITS	ANGLE	
NO.2 RM64acT-2	NO.5 RM64acT2.5-2	ST Ling	mm	±1°	
NO.3 RM64acT	NO.6 RM64acT2.5	CHECKED	SCALE	REV	DRAWING NO.
		H Shen	1:1	A	F0586.DWG