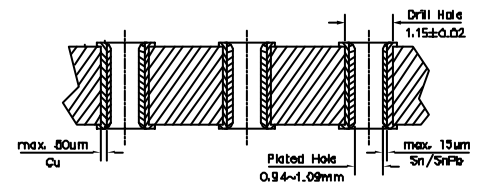
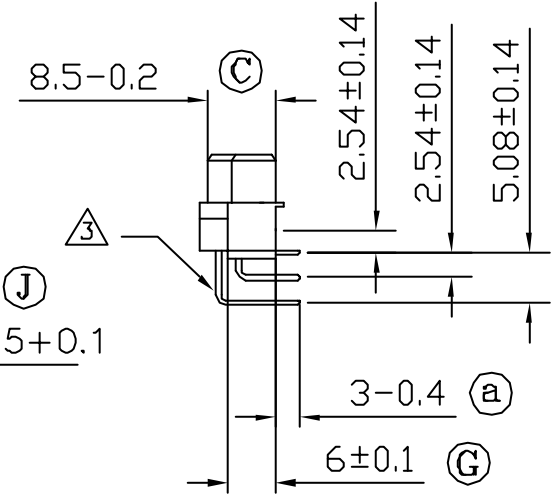
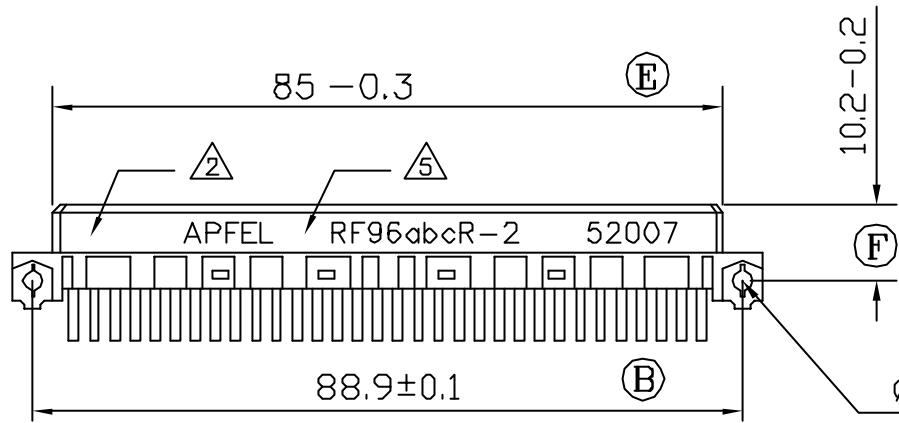
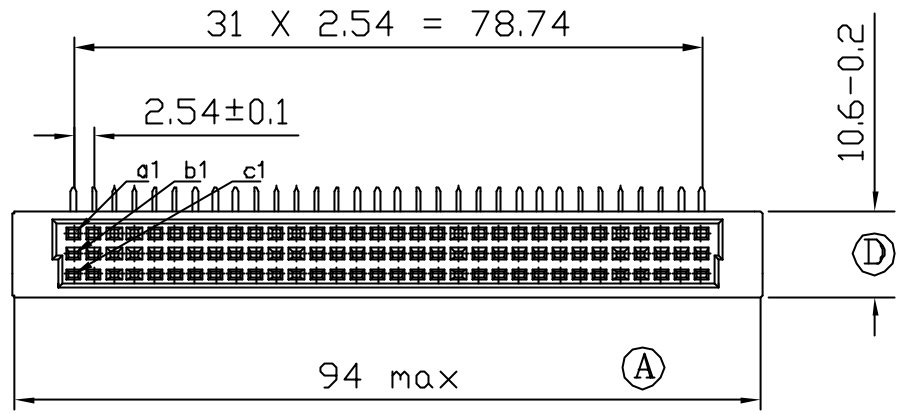


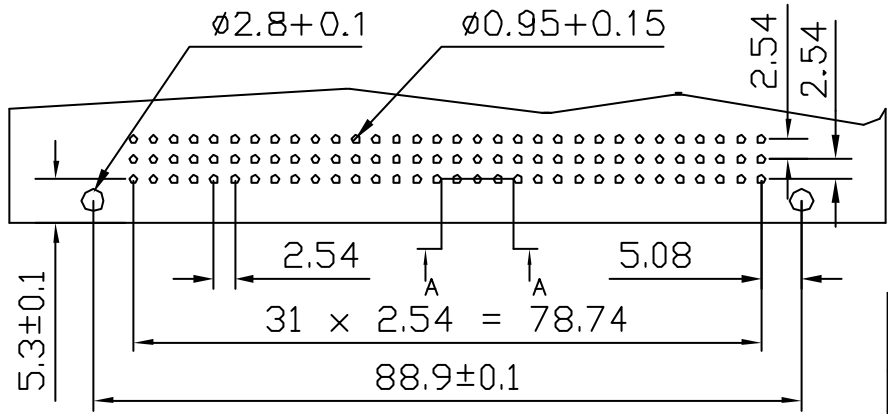
REV	DESCRIPTION OF REVISIONS	DATE	DRAWN	CHECKED
A	FIRST RELEASE	09/28/1997	ST Ling	H Shen

NOTES :

- ① CONNECTOR MEETS REQUIREMENT OF DIN 41612
- ② MATERIAL :
-HOUSING : GLASS-FILLED PBT, COLOR GREY, UL 94V-0
-CONTACT : PHOSPHOR BRONZE
- ③ CONTACT TAIL DIMENSION
THICKNESS : 0.35 ± 0.02mm
WIDTH : 0.60 ± 0.04mm
TAIL LENGTH : 3 - 0.4mm
- ④ CONTACT FINISH (OPTION IN PART NUMBER)
-1: 30u"(0.75um) GOLD PLATING ON MATING AREA, TIN PLATING ON TAIL AREA, FLASH GOLD PLATING ON NON-MATING AREA, NICKEL UNDERPLATE ALL OVER
-2: 15u"(0.38um) GOLD PLATING ON MATING AREA, TIN PLATING ON TAIL AREA, FLASH GOLD PLATING ON NON-MATING AREA, NICKEL UNDERPLATE ALL OVER
BLANK: FLASH GOLD PLATING ON MATING AREA AND NON-MATING AREA, TIN PLATING ON TAIL AREA, NICKEL UNDERPLATE ALLOVER
- ⑤ CONNECTOR PRINTED WITH COMPANY NAME, PART NUMBER, AND BATCH NUMBER



RECOMMENDED HOLE SPECIFICATIONS
SECTION A-A
SCALE 6 : 1



RECOMMENDED PCB HOLE LAYOUT
COMPONENT SIDE
SCALE 1 : 1

DESCRIPTION : FEMALE, TYPE R, 96/64 CONTACTS, RIGHT ANGLED SOLDER CONNECTOR CUSTOMER DRAWING				APFEL		MILLIMETRE	
PART NUMBER						X.XXX ± 0.012	
NO.1 RF96abcR-1		NO.4 RF64acR-1		X.XX ± 0.05			
NO.2 RF96abcR-2		NO.5 RF64acR-2		X.X ± 0.1			
NO.3 RF96abcR		NO.6 RF64acR		X ± 0.25			
DRAWN ST Ling		UNITS mm	ANGLE ±1°	DRAWING NO. FD011.DWG			
CHECKED H Shen		SCALE 1:1	REV A				