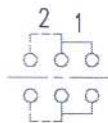
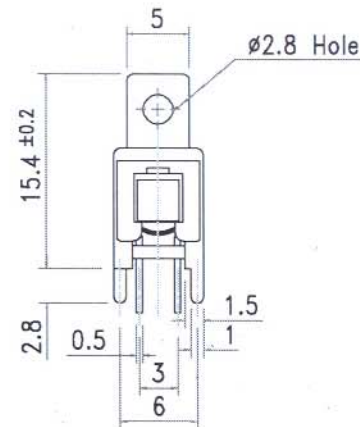
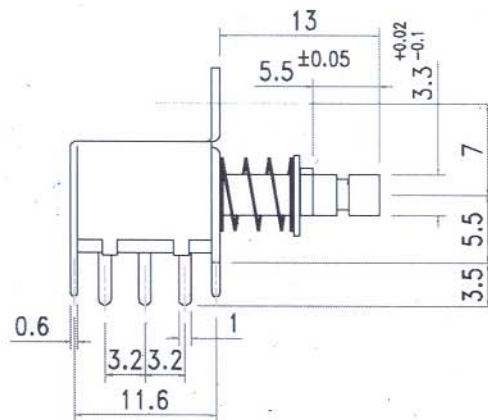
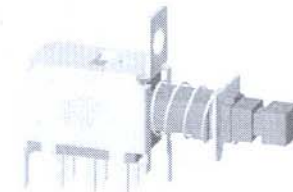
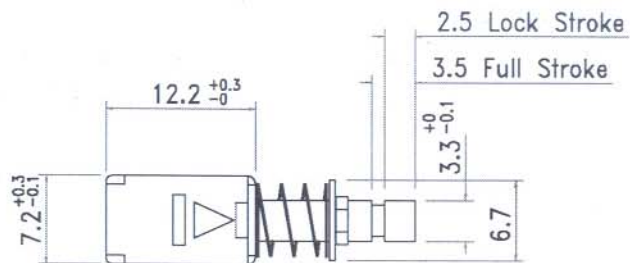


PCB Hole Layout



Circuit



TITLE PUSH SWITCH			SCALE	UNIT mm	TOLERANCE UNLESS OTHERWISE SPECIFIED		SPECIFICATIONS	
PART NO. PS-22F01LP0-S-380			VERSION A/0		BASIC DIMENSIONS	TOLERANCE	RATING : DC 30V 0.3A	
DRAWN FAI	CHECK	APPROVAL	DO NOT SCALE THIS DRAWING		UP TO 3	±0.2	CONTACT RESISTANCE : 30m ohm	
DATE 17-4-2008	DATE	DATE	DRAWING NO. P32		OVER 3 TO 10	±0.3	INSULATION RESISTANCE : 100M ohm at 500V DC	
RAINBOW PRODUCTION CO.					OVER 10 TO 100	±0.5	WITHSTAND VOLTAGE : AC 500V for 1min.	
					OVER 100	±0.8	SWITCHING LIFE : 50,000 cycles	
					ANGULAR DIMENSIONS ±3°		TIMING : shorting	
							OPERATING FORCE : 380±150g	

*The manufacturer reserves the right to adjust or modify to the product whichever the manufacturer finds necessity for the improvement on the product concerned.

Tel: (852) 24983114 Fax: (852) 24159972 Website: www.switch.com.hk

Copyright Reserved, Please Do Not Copy. 版权所有, 不得翻印