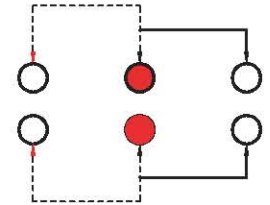
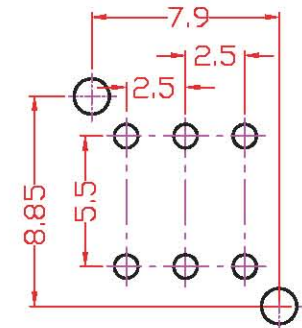
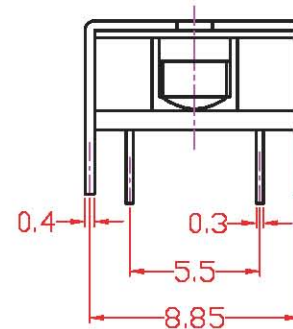
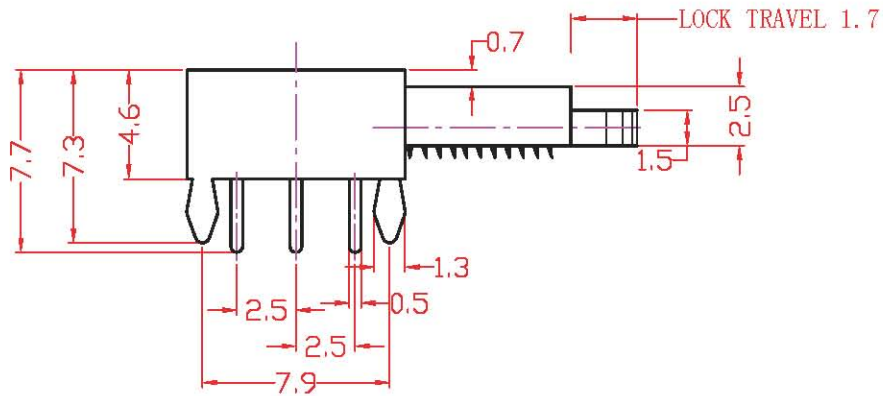


PS-22E02: LOCKED TYPE 有段
ON-OFF 黃色柄帶鎖
PS-22E03: NON-LOCKED 無段
OFF-(ON) 黃色柄無帶鎖



SCHEMATIC



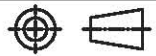
P. C. B LAYOUT

同利企業有限公司 E-mail: rayyang@seed.net.tw
TELE LONG ENTERPRISE CO.,LTD.

ITEM NO.: PS-22E02

TITLE: PUSH SWTICH

DWG NO.: PS-22E02-HHK03-B1



UNIT : M M	DWN.	CHUN	GENERAL TOLERANCE
SCALE : 3 : 1	CHK'D	YANG	WITHIN 1.5mm ± 0.1mm
I DWDI 1	DDV D1	ADD	DDVD 1.5mm ± 0.1mm
		RAY	

9				
8	CLIP	PBS	1	Ag PLATED
7	SPRING PLATE	PBS	1	NATURAL
6	LOCK PIN	BRASS	1	NATURAL
5	SPRING	SUS WIRE	1	NATURAL
4	TERMINAL	BRASS	1	Ag PLATED
3	TERMINAL CASE	PHENOLIC RESIN	1	NATURAL
2	COVER	MILD STEEL	1	Ni PLATED
1	KNOB	POM	1	NATURAL