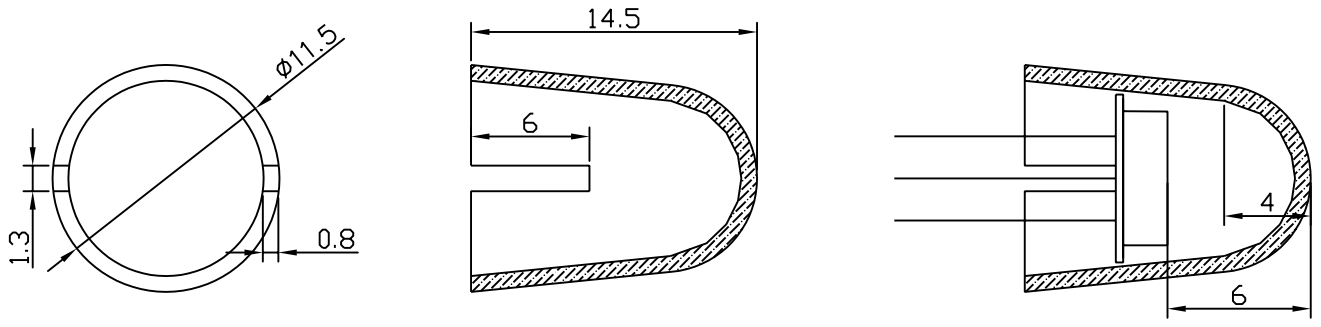
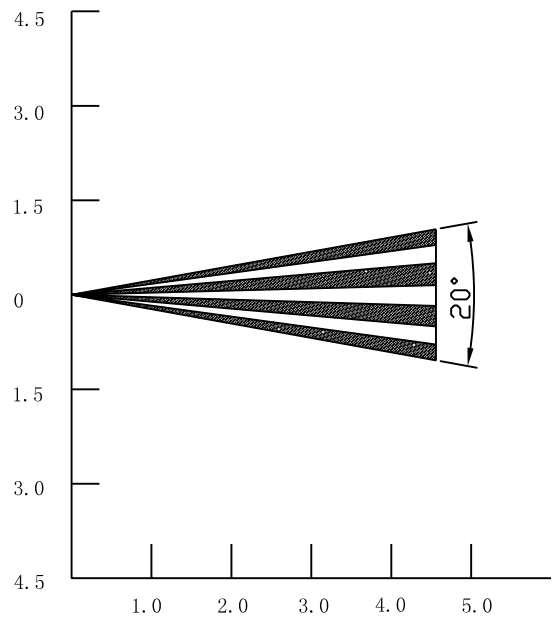
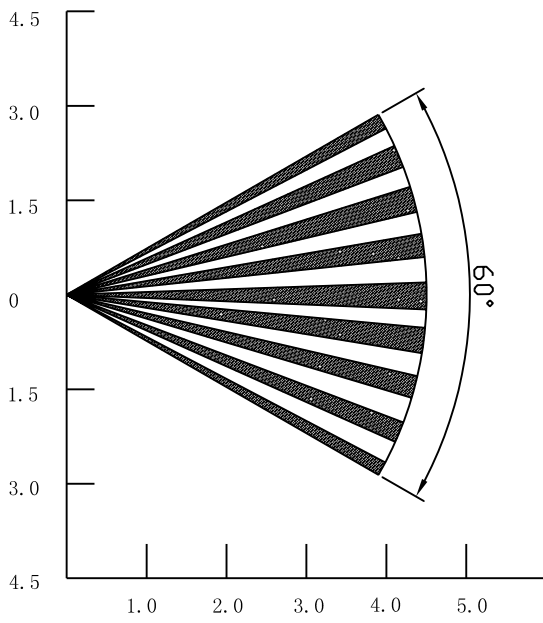


FRESNEL LENS--8308-1

DIMENSION: (Unit=m/m)



DETECTING AREA: (Unit = meter)



Below 30mm



Model: 8002-1
Focal length: 10.5mm
Angle: 100°
Distance: 10m
Size:φ23mm



Model: 8002-2
Focal length: 12mm
Angle: 100°
Distance: 10m
Size:φ23mm



Model: 8002-2B
Focal length: 12mm
Angle: 100°
Distance: 10m
Size:φ23mm



Model:8002-3
Focal length: 12mm
Angle: 120°
Distance: 10m
Size:φ24mm



Model:8310
Focal length: 10.5mm
Angle: 100°
Distance: 10m
Size:φ24mm



Model:NL-02
Focal length: 10.05mm
Angle: 100°
Distance: 10m
Size: φ23.5mm H: 12.3mm



Model: 8120
Focal length: 6mm
Angle: 120°
Distance: 5m
Size: φ12.7mm



Model: 8120-3
Focal length: 6mm
Angle: 120°
Distance: 2m
Size: φ13.1mm



Model: 8120-4
Focal length: 6mm
Angle: 120°
Distance: 6m
Size: φ12.7mm



Model: 8120-5
Focal length: 6mm
Angle: 120°
Distance: 6m
Size: φ12.7mm



Model: 8120-10
Focal length: 6mm
Angle: 80°
Distance: 7mm
Size:φ11mm



Model: 8308-1
Focal length: 6mm
Angle: 60°
Distance: 5m
Size:φ11.5mm

Cindy: haiwang5@szhaiwang.com

Tel: 0755-82867860-615

Fax: 0755-82867870

1



Model: 8308-2
Focal length: 9.5mm
Angle: 80°
Distance: 8m
Size: φ12.5m high 14.3mm



Model: 8308-3
Focal length: 5mm
Angle: 120°
Distance: 5m
Size:φ11.8mm



Model: 8308-5
Focal length: 9mm
Angle: 90°
Distance: 5m
Size: φ10.27mm H:8.8mm



Model: 8308-5B (no feet)
Focal length: 9mm
Angle: 90°
Distance: 5m
Size:φ10.27mm high 8.8mm



Model: 8308-6
Focal length: 9mm
Angle: 90°
Distance: 5m
Size:φ11.51mmH: 16.61mm



Model: 8308-7
Focal length: 9.6mm
Angle: 80°
Distance: 10m
Size: φ13.6mm



Model: 8308-10
focal length:
angle:
distance:
size:



Model:8003-1
Focal length: 10.5mm
Angle: 100°
Distance: 7m
Size:φ23mm



Model:8003-1C
Focal length: 10.5mm
Angle: 100°
Distance: 7m
Size:φ23mm



Model: 8003-2
Focal length: 10.5mm
Angle: 100°
Distance: 8m
Size:φ23mm



Model: 8003-3
Focal length: 11.5mm
Angle: 120°
Distance: 10m
Size: φ25mm



Model:8003-5
Focal length: 11.5mm
Angle: 120°
Distance: 10m
Size: φ29mm height14.7mm



Model: 7709-1
Focal length: 7.6mm
Angle: 90°
Distance: 6m
Size: φ21mm



Model: 7709-1B
Focal length: 7.6mm
Angle: 90°
Distance: 6m
Size:φ20.7mm height 17mm



Model: 7709-2
Focal length: 5mm
Angle: 90°
Distance: 6m
Size:φ17mm



Model: 7709-4
Focal length: 6mm
Angle: 90°
Distance: 7m
Size:OD:φ17mm ID:φ15mm



Model: 7709-6
Focal length: 5mm
Angle: 90°
Distance: 6m
Size: OD16.6mm ID 15mm



Model: 8090
Focal length: 9mm
Angle: 120°
Distance: 8m
Size: φ17.8mm



Model: 8006
Focal length: 7.5mm
Angle: 120°
Distance: 6m
Size:ODφ15mmID:φ14mm



Model: 8006-2
Focal length: 4mm
Angle: 100°
Distance: 6m
Size:φ17.1mm H:6.2mm



Model: 8066
Focal length: 7mm
Angle: 60°
Distance: 10m
Size: φ16.5mm



Model: 8307-2
Focal length: 12mm
Angle: 60°
Distance: 5m
Size: φ14mm



Model: 8109
Focal length: 9mm
Angle: 100°
Distance: 10m
Size: φ24mm



Model: 8016
Focal length: 6mm
Angle: 120°
Distance: 6m
Size: φ16mm height: 6mm

Hemispheric lens below 30mm



Model: 8005-1
Focal length: 10.5mm
Angle: 100°
Distance: 7m
Size:φ22.8mm H:12.4mm



Model: 8005
Focal length: 10.5mm
Angle: 100°
Distance: 7m
Size:OD:φ23m IDφ22mm



Model: 2814
Focal length: 15mm
Angle: 140°
Distance: 7m
Size: φ28mm



Model: 2136-1
Focal length: 7.5mm
Angle: 120°
Distance: 6m
Size: Outerφ15mm
Innerφ14mm



Model: 2134-1
Focal length: 7.5mm
Angle: 120°
Distance: 6m
Size: Outerφ15mm
Innerφ14mm



Model: 2135-1
Focal length: 7.5mm
Angle: 120°
Distance: 6m
Size: Outerφ15mm
Innerφ14mm



Model: 8140
Focal length: 5.5mm
Angle: 110°
Distance: 5m
Size: φ8mm



Model: 8140-2
Focal length: 5.5mm
Angle: 110°
Distance: 5m
Size: φ8mm



Model: 8225
Focal length: 15mm
Angle: 120°
Distance: 8m
Size: φ22mm



Model: 8003-6
Focal length: 12mm
Angle: 120°
Distance: 10m
Size: φ27mm height12mm



Model: 8003-7
Focal length: 12mm
Angle: 120°
Distance: 10m
Size: φ25mm height12mm