



Approval	 	
Capability		
Standard	UL	IEC
Rated Voltage	600V	800V
Rated Current	65A	57A
Wire size	20-6AWG	0.2-10mm ²
T/W/End plate	10.2/42.5/1.6mm	
Height(mm)(NS35:7.5/NS35:15/NS32)	47/54.5/52mm	
Rated surge voltage/Contamination Class	8KV/3	
Stripping length	10mm	
Screw thread/Tightening torque	M4/1.2N.m/10.5Lb-in	
Internal cylindrical gage	B6	
Insulating Material/Inflammability class	PA/V-0	
Specification	Model	Pieces
(1) Terminal block	PC 10	50
(2) End cover	D-PC 2.5	200
(3) Fixed bridge	FBI 2-10	400
2-P	FBI 3-10	150
3-P	FBI 5-10	50
5-P	FBI 10-10	10
10-P		
(4) Step bracket	STL 10N/5N	10
(5) Insertion bridge	EB 2-10	100
2-P	EB 3-10	100
3-P	EB 10-10	10
10-P		
(6) Isolator bridge bar, 10P	ISSBI 10-10	10
(7) Bridge bar isolator	IS-K10	100
(8) Switching bridge		
(9) Separating plate	TS-K	50
(10) Separating plate, width 1.5mm	ATP-PC	50
(11) Test plug socket	DSB 4/7/6	100
(12) Test plug socket insulated	DSBJ 4/15/6	
(13) Zack strip	ZB10	200

HOW TO ORDER :


- **P** - -

X	X	X
---	---	---

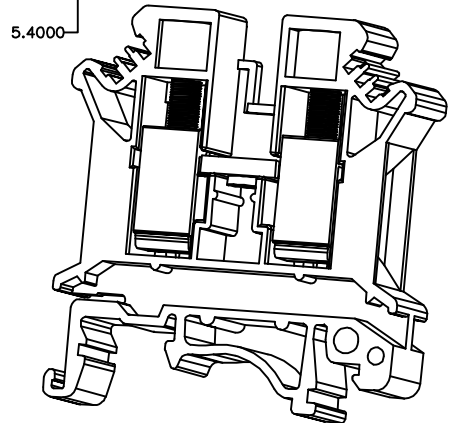
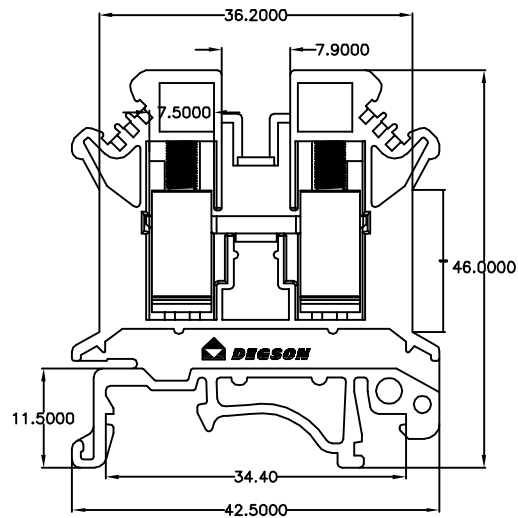
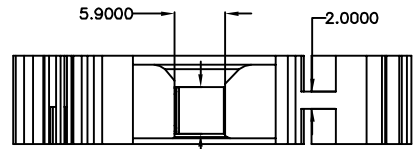
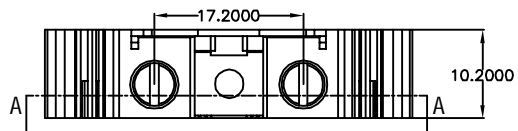
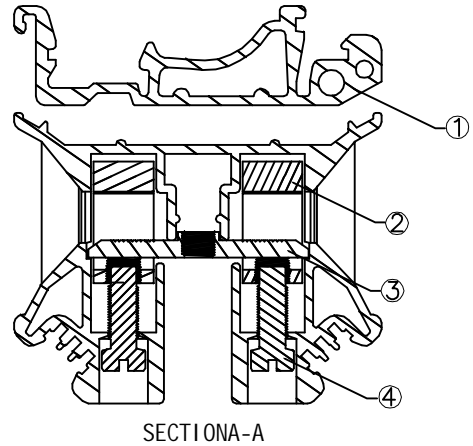
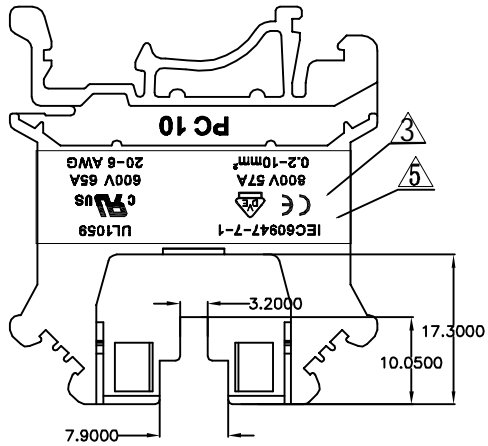
Customer Request

Series No. No. of pole Color

1	Gray	4	Green	7	Trans-parent
2	Blue	5	Orange	8	Yellow
3	Black	6	Red	9	White

 mm (INCH)	 DEGSON ELECTRONICS CO., LTD.
 THROATLE PROJECTION	NAME PC 10

REVISION RECORD				
REV	ECO	DESCRIPTION	DRFT	DATE
△		Drawing Revise	WF	11/23/06'
△		S000001720⇒S000001490	WF	11/27/06'
△		增加UL刻字	CSX	04/04/07'
△		品名、料号增加环保标示“的”	LJH	12/10/07'
△		增加VDE刻字及参数	WLM	07/18/08'



Notes:

- Rated voltage/current:UL 600V/65A
VDE 800V/57A
- Operation temperatures:-40℃~+105℃
- Withstanding Voltage:AC3000V/1Min
- Insulation Resistance:5000MΩ/DC1000V
- Wire Range:20~6AWG, 0.2~10mm²
- Max. Torque Value:M4, 12.24kgf. cm
- Undimensioned Tolerances:

Pitch range in mm		Nominal dimension range in mm						—	
	over 6	over 10		over 30	over 60	over 100	over 150	⌒	
to	to 10	to 24	to 30	to 60	to 100	to 150		▱	
	±0.10	±0.15	±0.25	±0.2	±0.3	±0.5	±0.7	±1.0	0.05/10

△	4	PC6-Screw	S000001490(H)	2	Brass	Ni plated
	3	PC10-Contact	6006B00010(H)	1	Copper	SnCe
	2	PC10 Brass Cage	X000000910(H)	2	Brass	Ni plated

ITEM	NAME OF PART	NO. OF PART	Q'TY	MATERIAL	NOTES
1	PC10-Housing	6006A0Y01A(H)	1	PA66	UL94V-0
DETACHED LISTS	MM (INCH)	DFTO L I U M	DATE	10/11/05"	
	TOLERANCES EXCEPT AS NOTED	CHKD	DATE		
	MM	MFO	DATE		
	.0 ±	APPVL	DATE		
	.00 ±	MATERIAL :			
.000 ±	ANGLES ± 1°	G.E :			
	THIRD ANGLE PROJECTION	FINISH :			
		SCALE : 1:1	DO NOT SCALE DRAWING		
				NAME	SIZE
				DEGSON® 宁波高正电子有限公司 DEGSON ELECTRONICS CO., LTD	REV
				PC 10-01P-1Y-00A(H)	T5
				DRAWING NO. PC 10-E01	07/18/08'
				/PART NO.	A3
				SHEET	1 OF 1