



**Innovative Technology**

INTELLIGENCE IN VALIDATION

# Spectral Payout

*“Unrivalled mixed denomination recycler”*



Payout 3  
(only this portion)

- Superior mixed denomination banknote recycler
- 100% note image capture – highest spectral coverage
- Eliminates coin starvation
- Reduce operational collection costs



## FEATURES

- 80 note 'true' mixed denomination recycler - can store all denominations from a given currency
- Full spectral imaging sensors validate the authenticity of notes
- 99% first time acceptance of new and street grade notes
- Accepts notes up to 85mm wide & recycles notes up to 82mm wide
- Notes are transferable to the cashbox for easy collection
- Improved serviceability for easy maintenance, internal memory for data logging and free firmware updates



## BENEFITS

- Eliminates coin starvation & reduces the coin float levels required to keep machines operational
- Exceptional genuine note detection & protection against fraudulent notes
- Faster note processing and recycling, maximise cash efficiency
- One product suitable for global applications
- Reduces operator collection costs
- Best in class performance & future proof your investment

## Technical Specification

### Power

Requirements: 12V/24V  
Standby: 400mA  
Running: 3A  
Peak: 5.5A

### Protocols

SSP  
ccTalk

### Interfaces

USB option  
Open collector  
RS232

### Cashbox Options

500 notes  
1000 notes

### Recycler Capacity

Up to 80 mixed notes

### Bezel Options

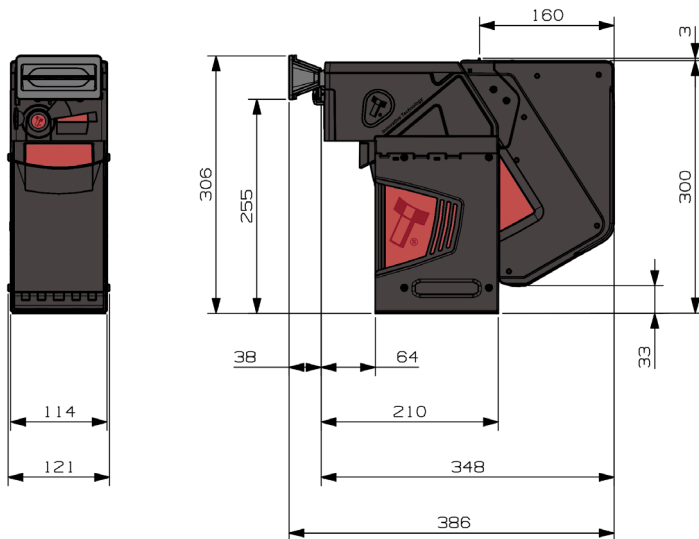
82/85mm width  
Metal bezel  
Various illumination options

### Note Dimensions

*Accepts:* Width: 60-85mm  
Length: 115-170mm  
*Recycles:* Width: 60-82mm

### MCBF

100,000



- Weight: 5.5kg

**VIEW MORE  
NOTE HANDLING  
PRODUCTS >>**



### Find Us

#### Head Office

Innovative Technology Ltd (UK)  
Innovative Business Park  
Derker Street  
Oldham  
OL1 4EQ



### Telephone

+44 (0) 161 626 9999



### Email

sales@innovative-technology.com