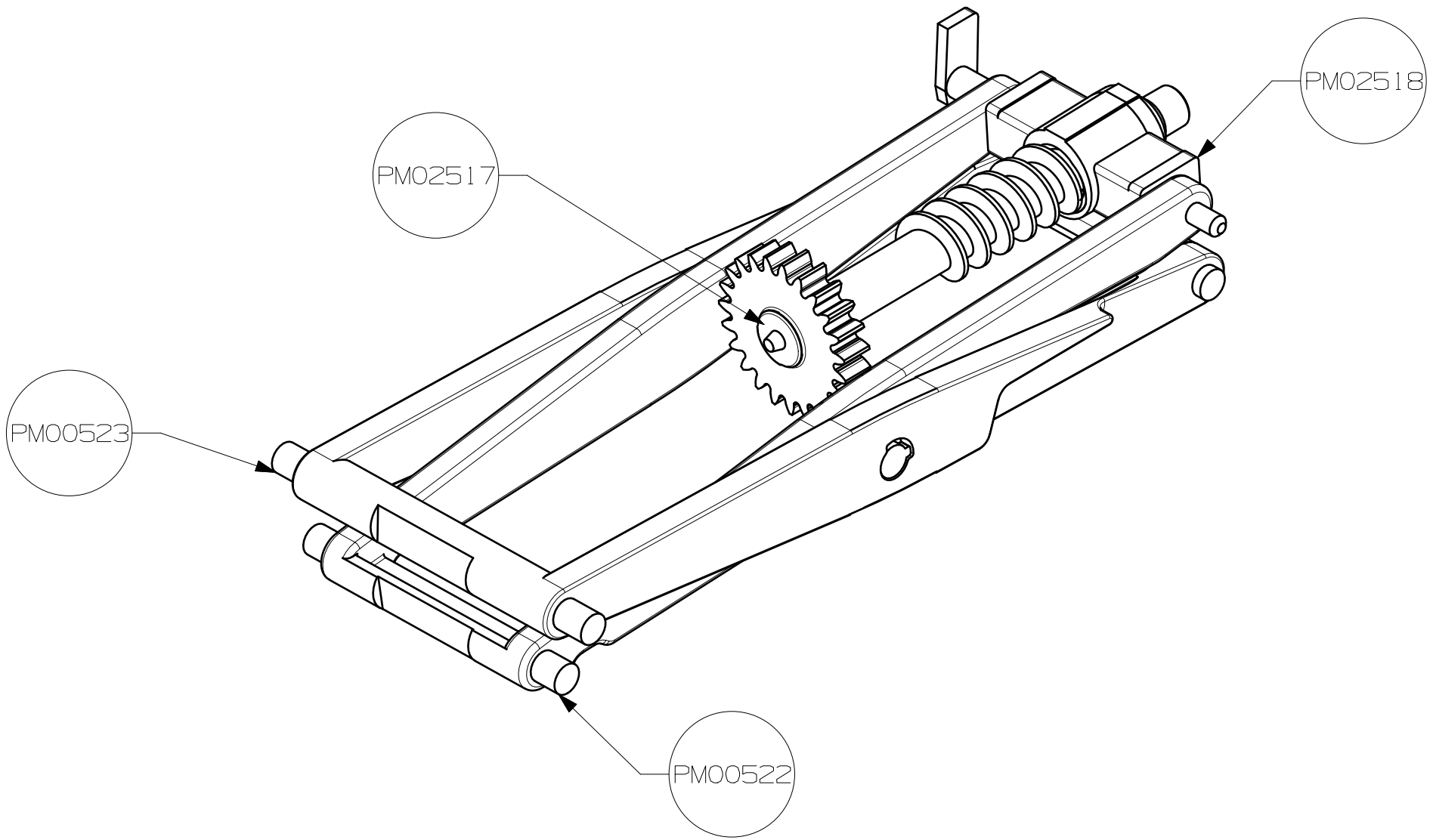


DRG NO:
PA02625

C D E F G H I J K L M N O P Q R S T

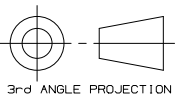
SHT 1 OF 1
U V W X

COPYRIGHT CONTAINED IN THIS DRAWING IS THE PROPERTY OF INNOVATIVE TECHNOLOGY LTD



1	PRODREL	03/02/17	RFK
A	-	21/12/15	JR
ISSUE No	MOD No	DATE	MOD BY
CAD GENERATED - MODS TO BE ELECTRONIC			

INNOVATIVE TECHNOLOGY LTD
DERKER ST. OLDHAM
ENGLAND. OL1 4EO
TEL 0161 626 9999
FAX 0161 620 2090



UNTOLERANCED DIMENSION TABLE	TOLERANCE
0 - 10	±0.1
10 - 50	±0.2
50 - 100	±0.3
100 - 200	±0.5
200 - 300	±0.7
KEY: [S] SIGNIFICANT CHARACTERISTIC	

DRAWN: JR
DATE: 21/12/15
CHECKED:
DATE:

MATERIAL: -
FINISH: -

TITLE: NV9 SCISSOR ASSEMBLY

SCALE: 2:1

DRG NO: PA02625

TOOL No:
ISSUE: 1

1 2 3 4 5 6 7 8 9 10 11 12 13 14 15