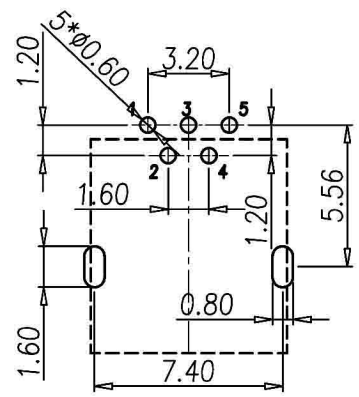
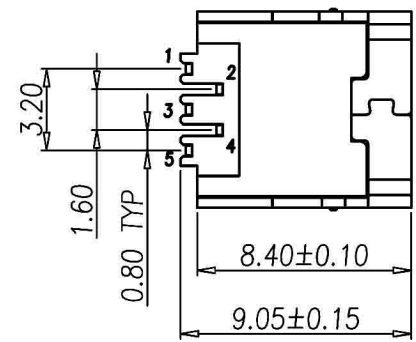
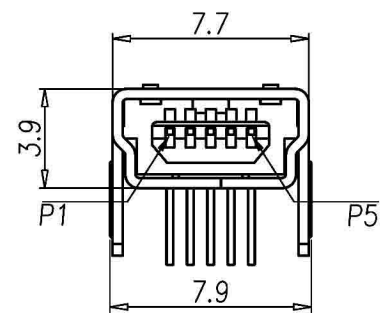
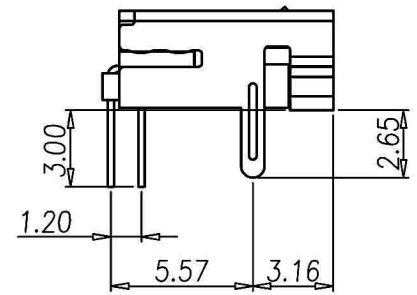
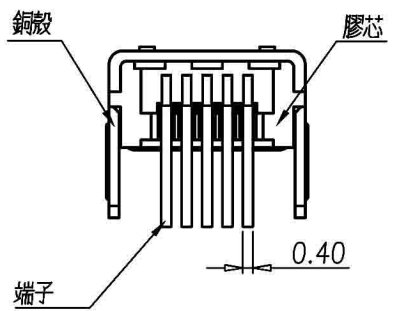
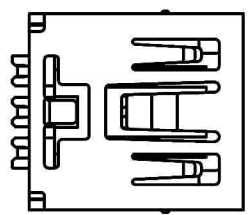


RoHS COMPLIANT

REV	ECN NO.	DESCRIPTION	DATE
A	GTK460728	RELEASE	JUN. 27'11

1. MATERIAL :
 - 1-1. HOUSING : TABLE A
 - 1-2. CONTACT : COPPER ALLOY(PHOSPHOR BRONZE)
 - 1-3. SHELL : SEE TABLE A
2. FINISH :
 - 2-1. CONTACT :
 - CONTACT AREA : SEE TABLE A
 - SOLDER AREA : TIN
 - UNDER PLATE : NICKEL
 - 2-2. SHELL : NICKEL PLATED 60u" OVER ALL



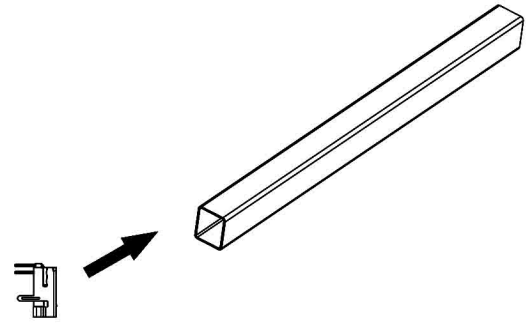
RECOMMEND P.C.B. LAYOUT (TOP VIEW)

PBT	BLACK	BRASS	GOLD FLASH
HOUSING	COLOR	SHELL	CONTACT PLATD

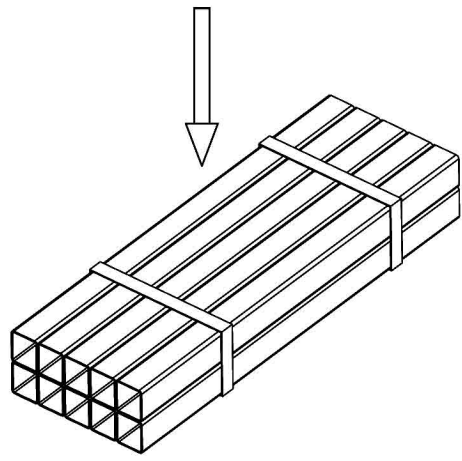
TOLERANCE UNLESS OTHERWISE SPECIFIED		PROJECTION	GOLD-TEK ELECTRIC CO., LTD.	
LINEAR		ANGLE	TITLE	
X. ±	X° ±	UNITS	MINI USB 5PIN (F)	
.X ± 0.20	.X° ±	MM	DIP	
.XX ± 0.10	.XX° ±	SCALE	PART NO. MUDR2B05FTKNN	
.XXX±	.XXX° ±	SIZE	CAD NO. 1304	
APPD		A4	SHEET 1 OF 2	
CHKD			F:\PDF\USB\USB-0071	
DRAW	Z	JUN. 28'2011	圖面編號:GTKSD2886-A(2)	

RoHS COMPLIANT

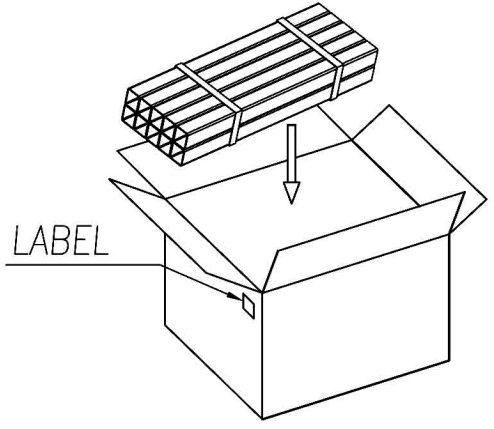
REV	ECN NO.	DESCRIPTION	DATE
A	GTK460728	RELEASE	JUN. 27'11



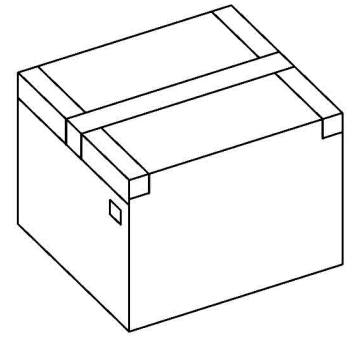
PUT THE CONNECTOR IN THE TUBE
50PCS/1TUBE



PUT 10 TUBES ON STACK AND PASTE
THE TAPE AS DRAWING



PUT STACK TUBES INTO THE CARTON BOXES



PACKING QUANTITY

PCS/TU	PCS/STACK	PCS/CB
50PCS/TU	500PCS/STACK	5000PCS/CB

TOLERANCE UNLESS OTHERWISE SPECIFIED		PROJECTION	GOLD-TEK ELECTRIC CO., LTD.	
LINEAR	ANGLE	 UNITS MM	TITLE MINI USB 5PIN (F) DIP	
X. ±	X° ±		PART NO. MUDR2B05FTKNN	
.X ±	.X° ±	SCALE	CAD NO. I304	
.XX ±	.XX° ±		SHEET 2 OF 2	
.XXX±	.XXX° ±	SIZE A4	F:\PDF\USB\USB-0071	
APPD			CPART NO.	
CHKD			<div style="border: 2px solid blue; padding: 5px; display: inline-block;">圖面編號:GTKSD2886-A(2)</div>	
DRAW	Z JUN. 28'2011			