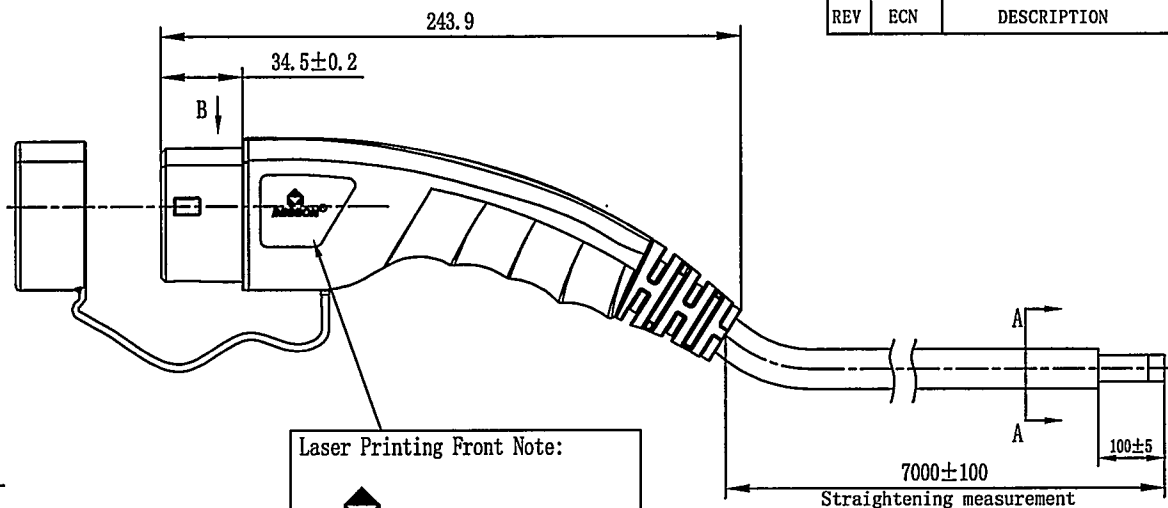
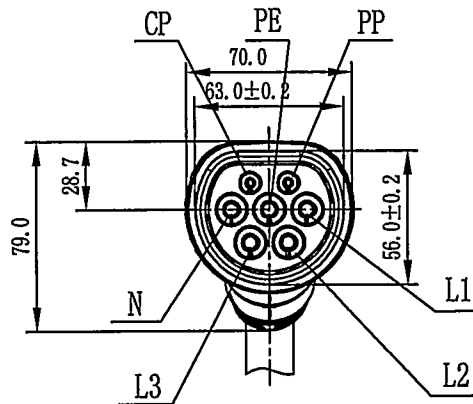
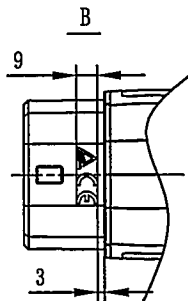
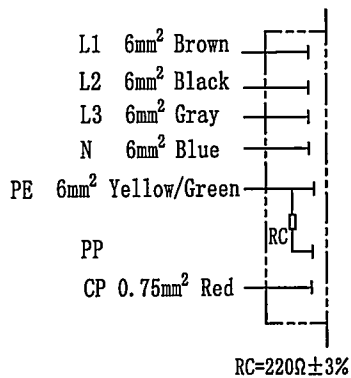


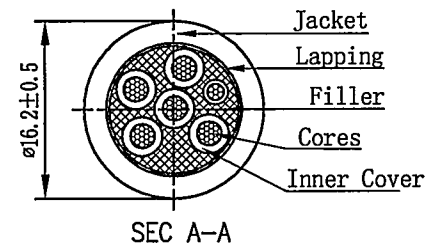
REVISION RECORD				
REV	ECN	DESCRIPTION	DRFT	DATE



Wiring diagram



Laser Printing Front Note:  
  
 Laser Printing Back Note (Arial):  
 MEAC-T-032A-V1-03-7.0M-30AH  
 32A 440V AC  
 IEC 62196-2:2016  
 IP54  
 20xxxxxx-xxxx



NOTES:  
 1. Cable: EN50620-2017/IEC62893.3 5\*6mm²+1\*0.75mm² Black  
 2. RoHS Compliance

Technical parameters	
Rated voltage	440V AC
Rated current	32A
Temperature range	-30℃~+50℃
Insulate resistance	>5MΩ, 500V DC 1Min
Withstanding voltage	L, N AND PE, 2500V AC 1Min
	L AND N, 2500V AC 1Min
Ingress protection	IP54
The insertion/pullout times	10000 TIMES
Insertion/pullout force	<100N
Reference standard	IEC 62196-2:2016

Customer Drawing

Size Measure Range	.XX	.X
≤6	±0.05	±0.10
6~30	±0.10	±0.20
30~120	±0.15	±0.30
120~400	±0.20	±0.50
400~1000	±0.30	±0.80
1000~2000	±0.50	±1.20
Angle Measure Range	.XX	.X
	±0.5°	±1.0°

PART NO.:	/		
APPD:	ZX 2020.6.10		
CRD:	DT 2020.6.10		
DRFT:	LLL 2020-06-10		
DETAILED LISTS			
NAME:	Vehicle Connector (32A AC three phase) MEAC-T-032A-V1-03-7.0M-30A(H)		
TITLE:	Customer Drawing	REV	D0-1
DRAWING NO.:	/	SHEET	1/1
SCALE	1:3	DO NOT SCALE DRAWING	