

SPECIFICATION FOR APPROVAL

承 认 书

Description : Condenser Microphone

Vender's Part No. : **MDS- 06027**

Customer's. Part No. : **MDC6022CWT-04**

Serial No. : **MDS-1436**

Version No. : **1.1**

CUSTOMER'S APPROVED SIGNATURE		

YEC ELECTRONICS LTD

Approved By	Checked By	Made By
Yang Shuhua	Li Linlin	Zhang Kaifeng

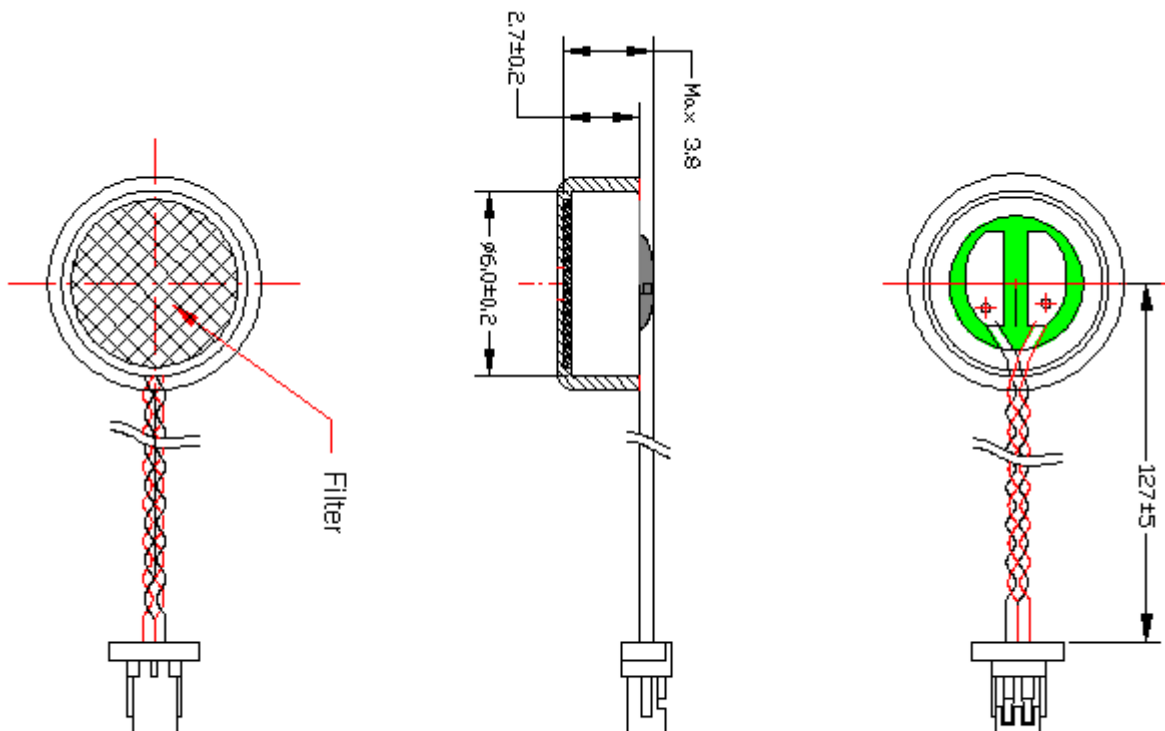
A. SCOPE

This specification applies Microphone, **MDS-06027**

B. SPECIFICATION

No.	Parameter	Symbol	Condition	Limits			Unit
				Min.	Center	Max.	
1	Sensitivity	S	100dB SPL @1KHz	-44	-42	-40	dB
2	Reflow characteristics		See 11.3			2	dB
3	Directivity			Omni-directional			
4	Frequency			100~8000			Hz
5	Output impedance	ZOUT	P _{in} =1Pa F=1kHz			2.2	KΩ
6	Current consumption	IDSS	V _{DD} =2.0V	180		450	μA
7	S/N Ratio	S/N	F=1KHz.P _{in} =1 Pa	≥58			dB
8	Operation Voltage	VS		1.0	2.0	10	V

C. APPEARANCE DRAWING



Tol : ± 0.2

Unit: mm