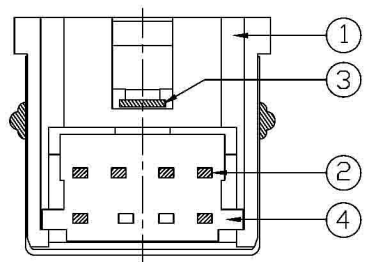
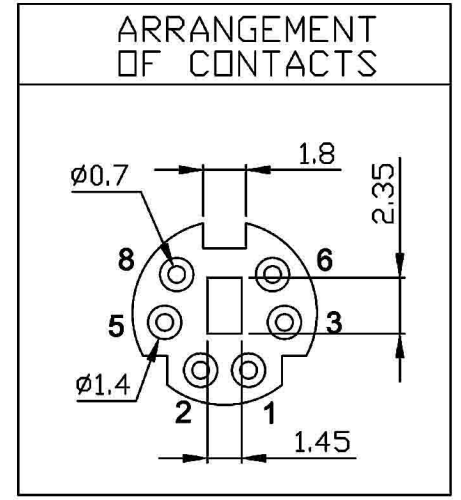
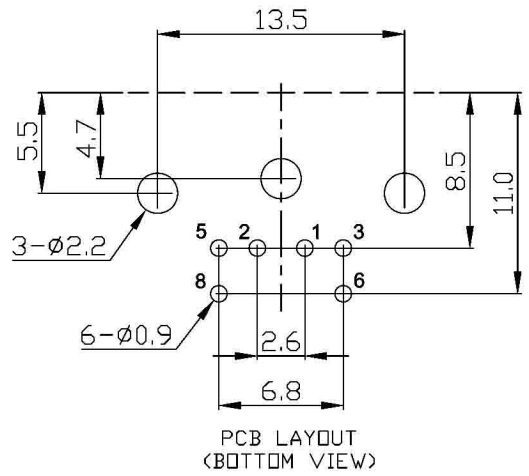
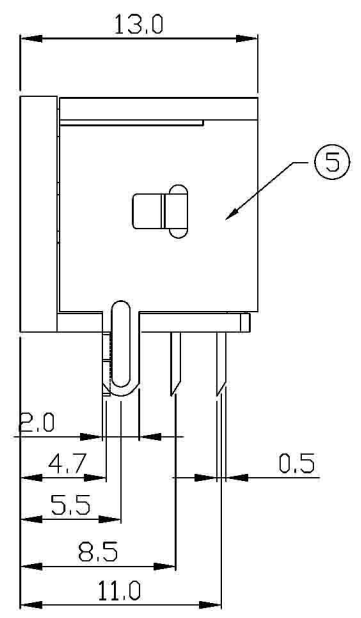
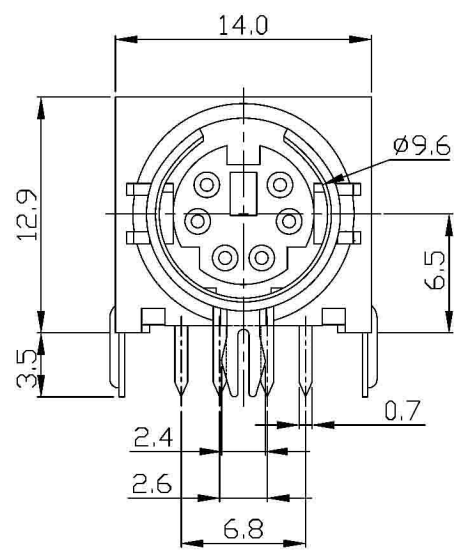


RoHS COMPLIANT

REV	ECN NO.	DESCRIPTION	DATE
A		RELEASE	FEB. 27'14
B		MODIFY P/N	MAR. 17'16



NO	PART NAME	Q'TY	MATERIAL	PLATED	REMARK
5	SHELL	1	SPCC T:0.3	NICKEL	
4	BOTTOM COVER	1	PBT		BLACK
3	GROUND TERM.	1	BRASS T:0.4	TIN	
2	CONTACT TERM.	6	P.B.S T:0.2	GOLD-TIN	
1	HOUSING	1	PBT		BLACK

TOLERANCE UNLESS OTHERWISE SPECIFIED		PROJECTION	GTK GOLD-TEK ELECTRIC CO., LTD.	
LINEAR	ANGLE	UNITS	TITLE	PART NO.
X. ± 0.50	X° ±	MM	Mini Din 6P R/A Dip	MDJ6DM-02
.X ± 0.30	.X° ±			CAD NO. I252
.XX ± 0.20	.XX° ±	SCALE	CPART NO.	SHEET
.XXX±	.XXX° ±	SIZE		1 OF 1
APPD		A4	圖面編號:GTKSD3085-B(1)	
CHKD				
DRAW	Z	MAR. 17'2016		