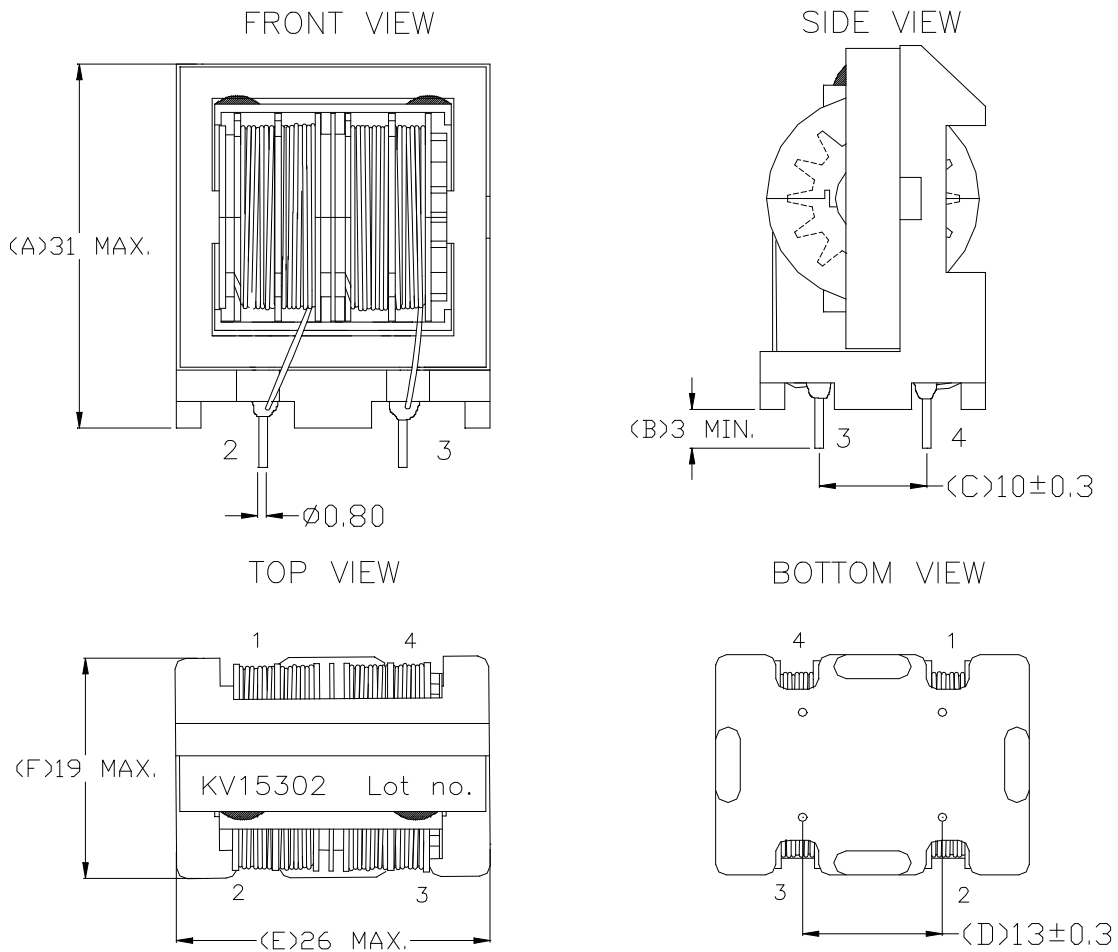




1. Components list.

Item.	Material.	Manufacturer.
1. Bobbin	Phenolic (UL94V-0)	Chang chun plastic co., ltd UL no. E59481(S). or equivalent.
2. Core ET-24	TL15	TDG.
3. Base ET-24V	T355J. UL 94V-0	Chang chun plastic co., ltd UL no. E59481(S).
4. Copper wire	Polyurethane enameled copper (130 deg.c).	Thai hitachi enamel wire co.,ltd. UL no.E137472 Pacific-Thai electric wire & cable co.,ltd. UL no. E142108. or equivalent.
5. Glue	Hot melt or equivalent.	OPTIONAL.
6. Solder bar	Sn / Cu	Ultra core or equivalent.

The drawing and dimension in milimetre unit.



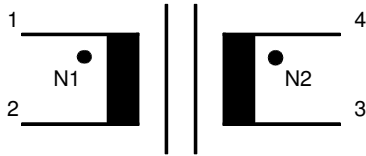
KV ELECTRONICS CO., LTD.

988 MOO 2, SOI THETSABAN BANG PU 60
 TUMBOL THAI BAN , AMPHUR MUANG
 SAMUTPRAKARN 10280
 TEL. +66(0) 2701-2969 , FAX +66(0) 2701-2966
 E-MAIL : kvea@loxinfo.co.th

Customer name
 Customer part no. :
 Drawing no. :
 Description : LINE FILTER 19.90 mH Min.
 KV no. : 15302
 Revision : 00



2. Schematic diagram and winding instruction.



N1 Pin 1 – 2 = Wire 0.45 mm. / 80 Ts. (Ref.)
 N2 Pin 4 – 3 = Wire 0.45 mm. / 80 Ts. (Ref.)

Note :

3. Electrical specification and test data (at 25 deg.c).

Item	Pin no.	Specification	Test data									
			1	2	3	4	5	6	7	8	9	10
Inductance (L) At 10KHz, 0.1V	1 – 2	19.90 mH Min.	38.90	33.90	27.80	35.30	26.90	38.90	34.70	29.60	38.00	33.80
	4 – 3	19.90 mH Min.	39.10	34.00	27.80	35.30	26.90	38.90	34.70	29.60	38.00	33.80
Hi-Potential test. 1mA 50Hz	Apply 1500Vac between N1 to N2 for 2 sec. Apply 1500Vac between N1, N2 to core for 2 sec.								Passed Passed			
Phase check follow to schematic diagram.								Passed				

Mechanical test Sample no.	A	B	C	D	E	F
1	29.34	4.5	9.84	12.79	24.53	17.60
2	29.04	4.5	10.00	12.89	24.48	17.64
3	29.12	4.5	9.89	12.89	24.50	17.46
4	29.84	4.5	9.89	12.90	24.51	17.55
5	29.15	4.5	10.00	12.80	24.49	17.54
6	29.04	4.5	10.00	12.78	24.49	17.53
7	29.02	4.5	10.00	13.00	24.59	17.59
8	29.47	4.5	9.80	12.88	24.46	17.44
9	29.08	4.5	10.10	12.93	24.51	17.51
10	29.00	4.5	9.89	12.95	24.57	17.54

Test date : 7 July 2015
 Test by : Apiwat