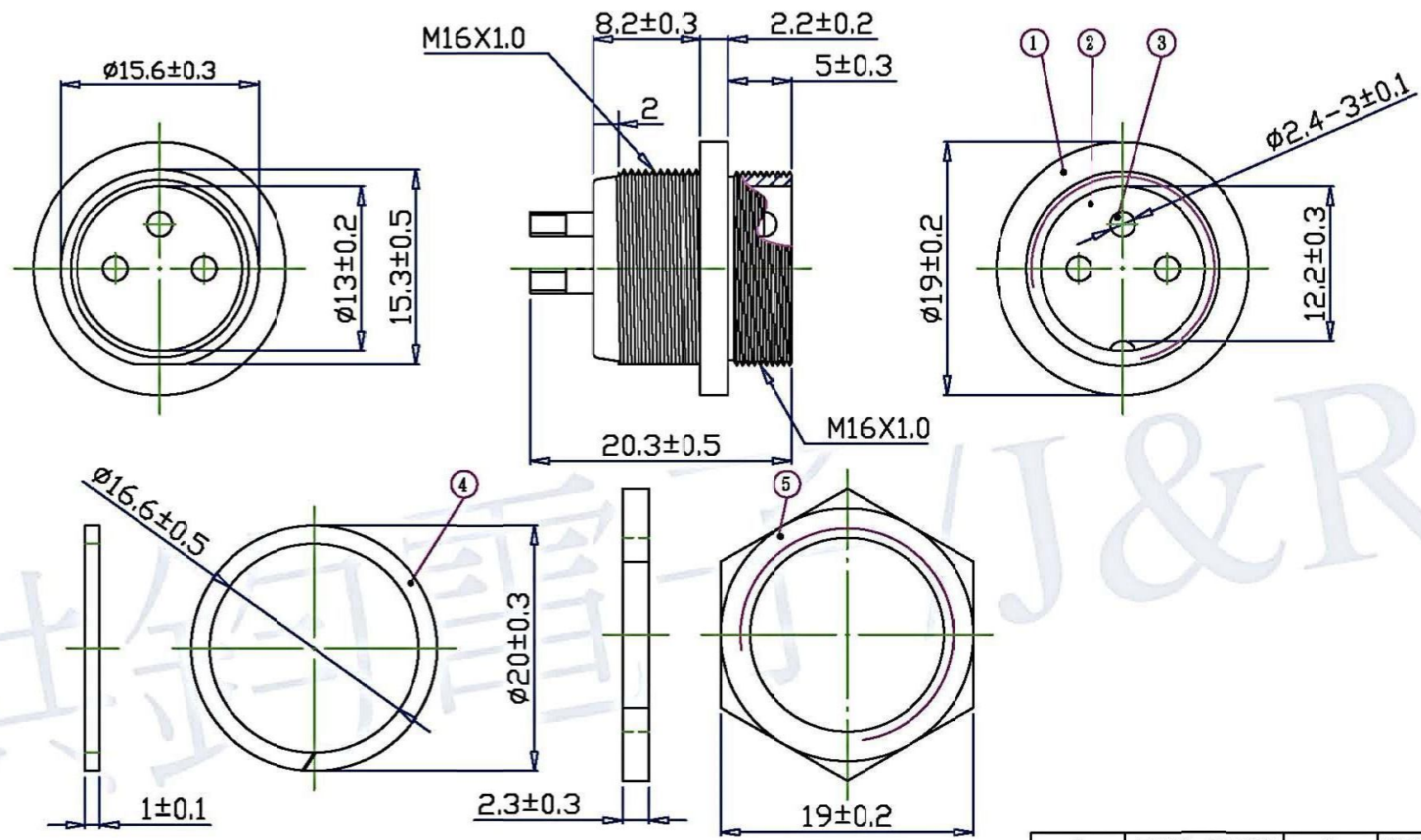
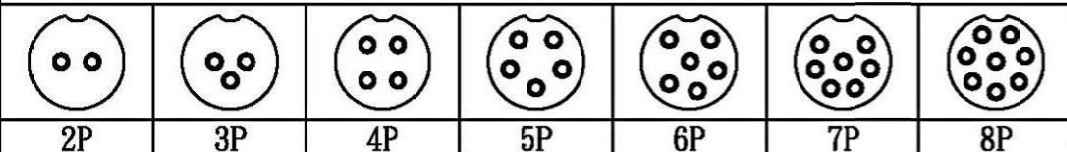


UNLESS OTHERWISE SPECIFIED TOLERANCES

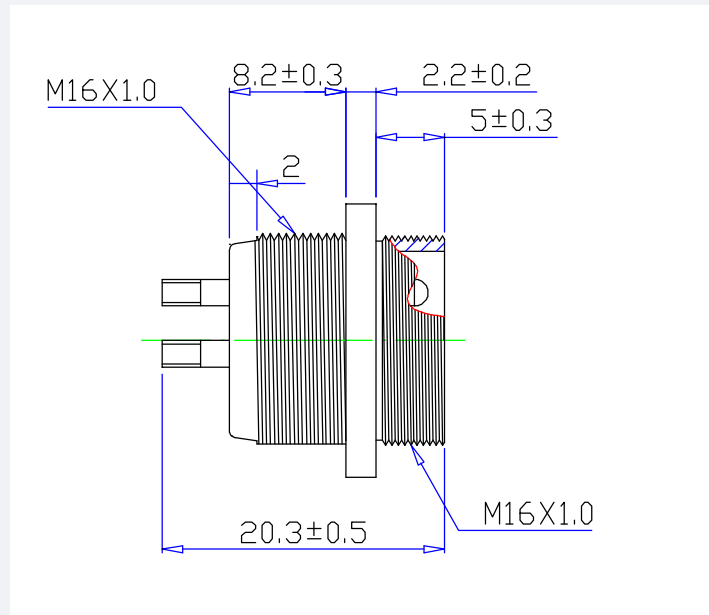
0.5-5	±0.2
5-30	±0.4
30-120	±0.6
120-315	±1
315-1000	±1.6
1000-2000	±2.4










1	ZINC ALLOY	1	NICKEL PLATED
2	PLASTIC	1	BLACK
3	BRASS	2~8	NICKEL PLATED
4	IRON	1	NICKEL PLATED
5	BRASS	1	NICKEL PLATED
ITEM	MATERIAL	Q' ty	REMARK



	<b>J&amp;R Electrical Co., Ltd</b> <a href="http://www.jr-elec.com.tw">http://www.jr-elec.com.tw</a> e-mail: jrelec@ksts.seed.net.tw		<b>DATE</b> MAR. 03. 2016 <b>DRAWN</b> JAO	<b>APPROVED</b> <b>DESIGNED</b>		<b>UNIT</b> mm <b>SCALE</b> : <b>TOLERANCE</b> ±0.1	<b>REVISION</b>		
						A . B . C .			
	<b>ITEM NO</b> JMC010a-x	<b>DESCRIPTION</b> MALE CB CONNECTOR OD:15.6MM							



No. of contacts	2	3	4	5	6	7	8
Contacts Configuration							
Rated current/voltage	5A 125V	5A 125V	5A 125V	5A 125V	5A 125V	5A 125V	5A 125V
Operation limit voltage (AC.V.rms)	200	200	200	200	200	200	200
Withstanding voltage (AC.V.rms) 1 minute	1000	1000	1000	1000	1000	1000	1000
Insulation resistance (MΩ MIN.) at DC 500V	1000	1000	1000	1000	1000	1000	1000
Contact resistance (MΩ MAX.) AT DC 1A	15	15	15	15	20	20	20
Pin diameter (Ømm)	1.4	1.4	1.4	1.2	0.8	0.8	0.8