

6

5

4

3

2

1

D

D

C

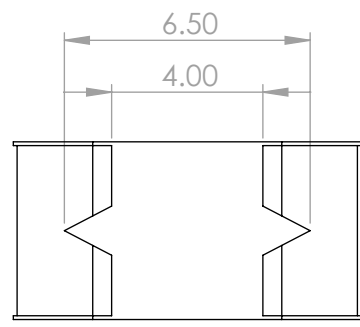
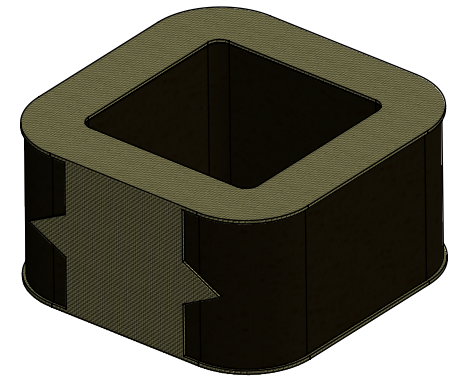
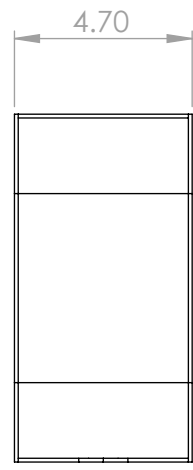
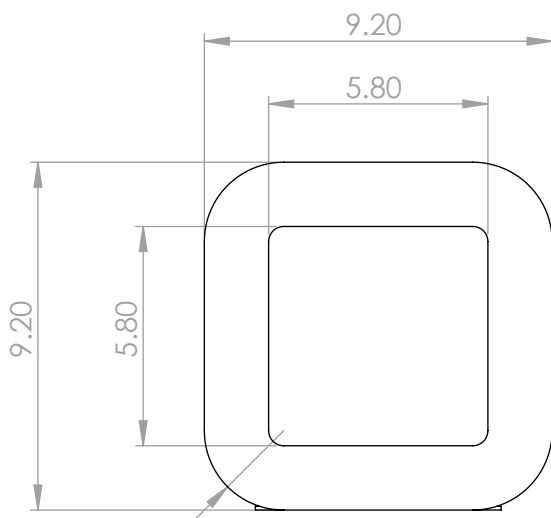
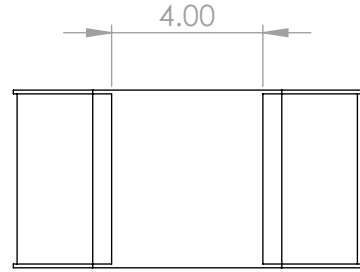
C

B

B

A

A



DO NOT SCALE DRAWING		REVISION	
All dimensions are in mm.			
PROJECT:		COMPANY: Electronics Source	
DATE:		TITLE:	
MATERIAL:		DWG NO.	BOM REF:
WEIGHT:		SCALE:5:1	SHEET 1 OF 1
		A4	

6

5

4

3

2

1