

**Single Port RJ45 Connector
with Integrated Magnetics and LED
for 10/100Base-TX NIC Applications**

**Part Number:
HY911103A**

Electrical Specification @25°C

RoHS Compliant (PB Free)

Isolation: 1500Vrms (UTP Side to Chip Side)

OCL: 350uH Minimum @100KHz 100mV with 8mADC

Insertion Loss: -1.0dB Maximum @300KHz ~ 100MHz

Return Loss: -20dB Minimum @1MHz ~ 10MHz

-16dB Minimum @10MHz ~ 30MHz

-12dB Minimum @30MHz ~ 60MHz

-10dB Minimum @60MHz ~ 80MHz

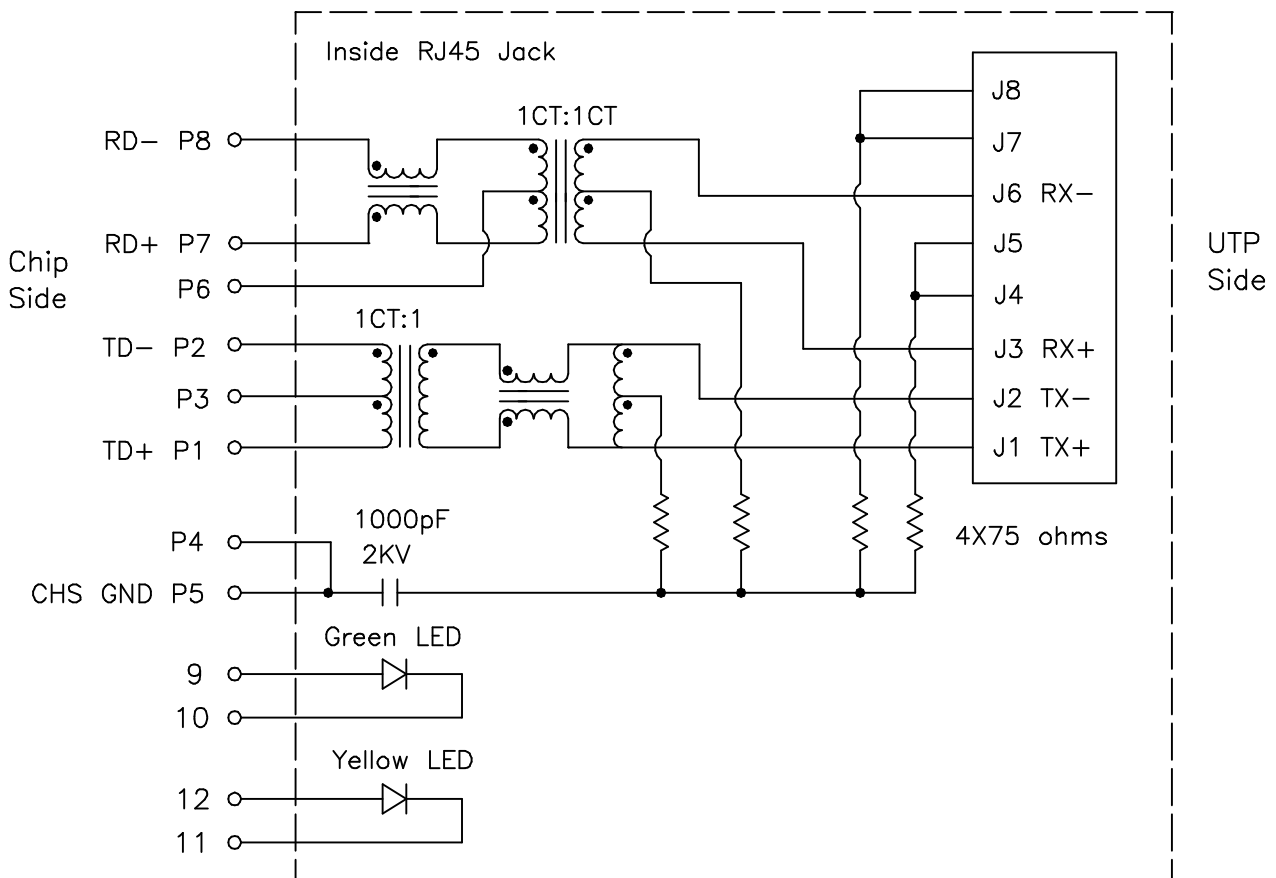
Common Mode Rejection: -30dB Minimum @1MHz ~ 50MHz

-20dB Minimum @50MHz ~ 150MHz

Crosstalk: -40dB Minimum @1MHz ~ 30MHz / -35dB Minimum @30MHz ~ 60MHz

-30dB Minimum @60MHz ~ 100MHz

Schematics



Notes: Connect CHS GND to PCB Ground

Part No.: HY911103A	Unless otherwise specified, Tolerance:	Rev: A	DRWN:	Date:
Dimensions in mm	.xx ±0.25	Page 1/1	APPD:	Date:

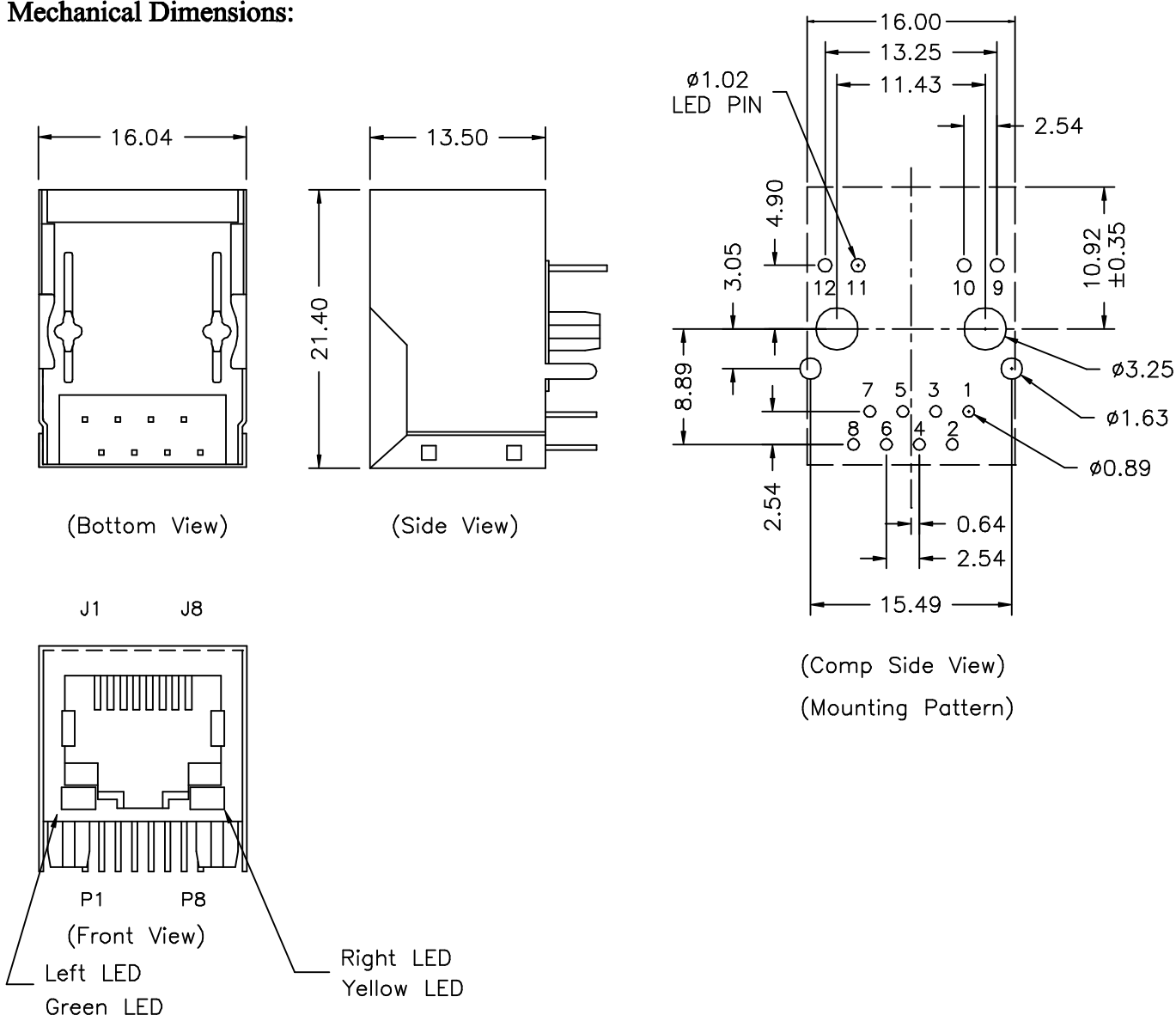
Single Port RJ45 Connector
with Integrated Magnetics

Part Number

HY911103A (Shield Type: A)

- RoHS Compliant (Pb Free)
- Designed for Network Interface Card Application
- Meets or Exceeds IEEE802.3 standards including 350uH Min OCL with 8mADC
- High performance for EMI suppression, Crosstalk, Return Loss and Consistent Electrical
- Minimum 1500Vrms isolation per IEEE802.3 requirement
- Minimize PCB space and Simplify PCB Layout
- Less magnetic components to place on PCB, Higher reliability and yields

Mechanical Dimensions:



Part No.: HY911103A	Unless otherwise specified, Tolerance: .xx ± 0.25	Rev: A	DRWN:	Date:
Dimensions in mm		Page 1/1	APPD:	Date: