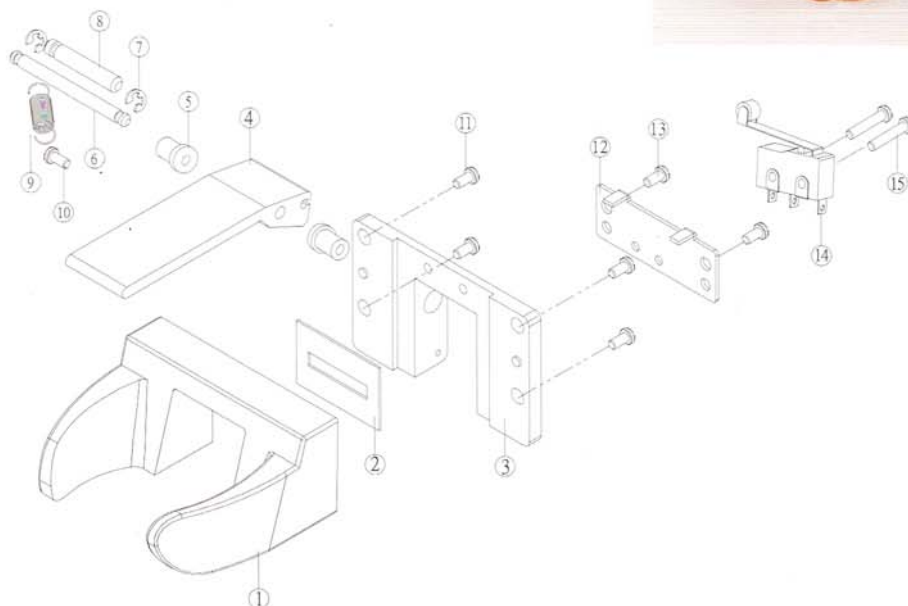
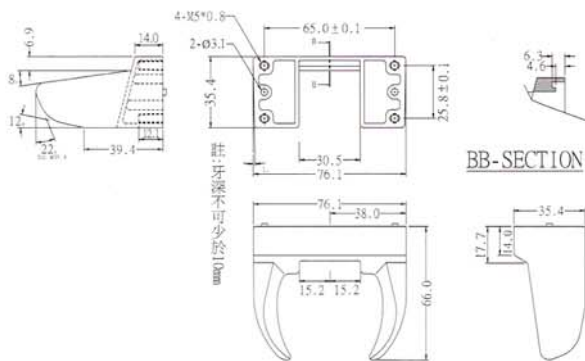


HT-ICHK 2

1. 牛角使用材質為鋅合金、表面為鍍銅、鍍鎳、鍍鉻處理。
2. IC 卡式牛角組。

1. Hook material use zinc alloy, surface handle plating by copper, nickel, chromium.
2. Ic card hookset.



ITEM	PARTS NAME
1	HOOK
2	MOVE PLATE
3	FIXED PLATE
4	TONGUE
5	PC PIN
6	SHAFT1 FIXED TONGUE
7	E-RING
8	SHAFT2 FIXED SPRING
9	SPRING
10	CPIMSx3x10x15BF SCREW
11	CPIMS*5*12*15BF SCREW
12	SWITCH FIXED PIECE
13	CPIMS*3*6*15BF SCREW
14	SWITCH
15	CPIMS*2*12*15BFSCREW

Dimension : mm