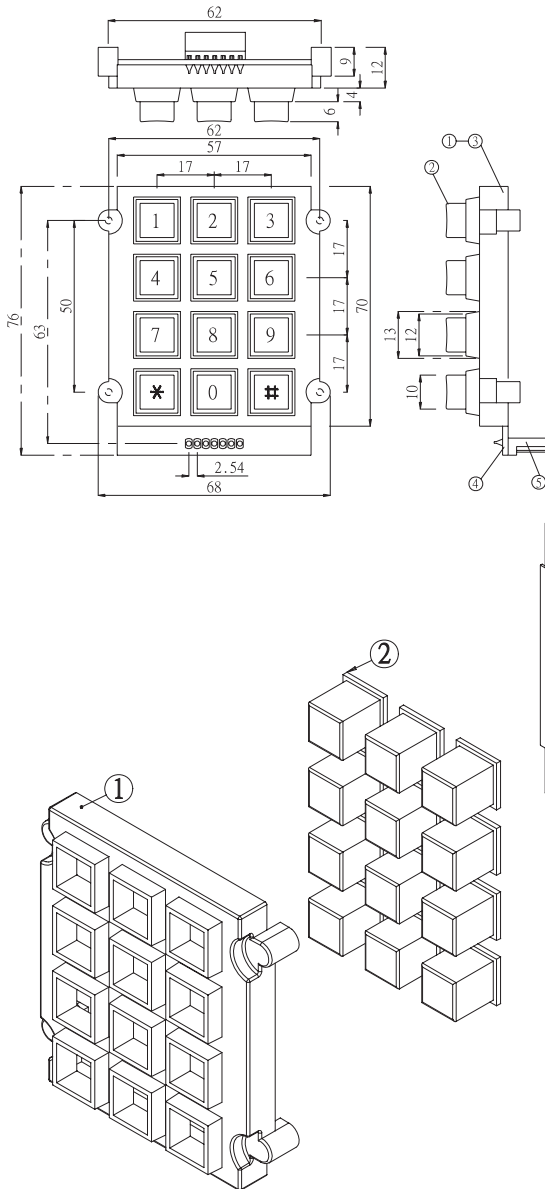




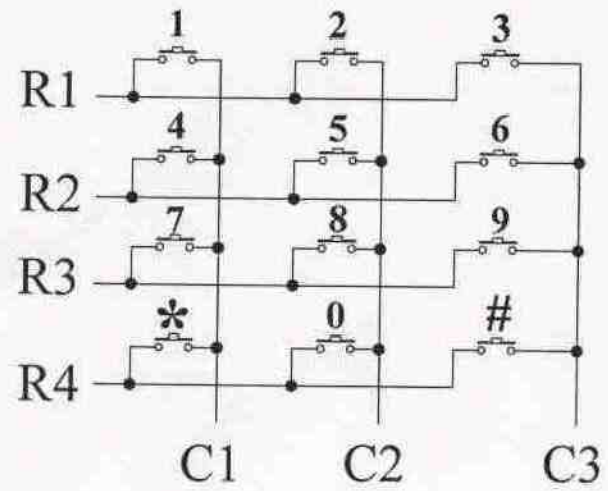
HT-436-1 Key Pad

- | | |
|---------------------------|---|
| 1. 接點動程 : $1.2 + 0.15$ mm | 1. Operating stroke: $1.2 + 0.15$ mm |
| 2. 按鈕行程 : < 2.5 mm | 2. Stroke: < 2.5 mm |
| 3. 按鈕及外框使用鋅合金材質 | 3. The key and frame uses zinc alloy. |
| 4. 按鍵組導電橡膠採用矽橡膠 | 4. Key pads conductive rubber has adopted silicon rubber. |
| 5. 連接插頭 7 pin | 5. Connector is 7pin |
| 6. 使用壽命為100萬次以上 | 6. Stroke time: 1 million above |



ITEM	PARTS NAME
1	KEY FRAME
2	DIAL KEY
3	CONDUCT RUBBER
4	PRINT CIRCUIT BOARD (PCB)
5	CONNECTOR
6	SCREW

Dimension : mm



Title		
Sl. No.	Name	Signature
Date:		Sheet: 1/1
File:	C:\Documents and Settings\USER\My Documents\111	