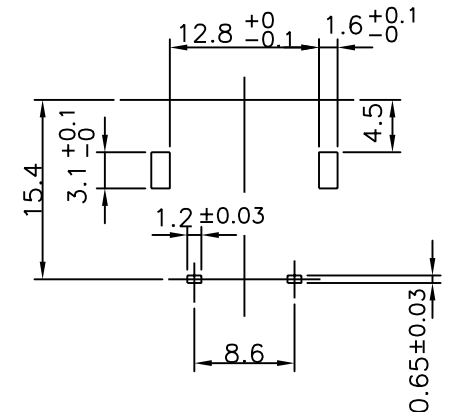
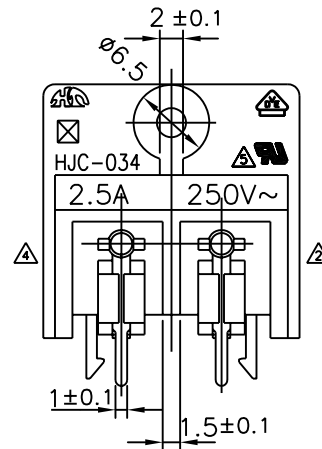
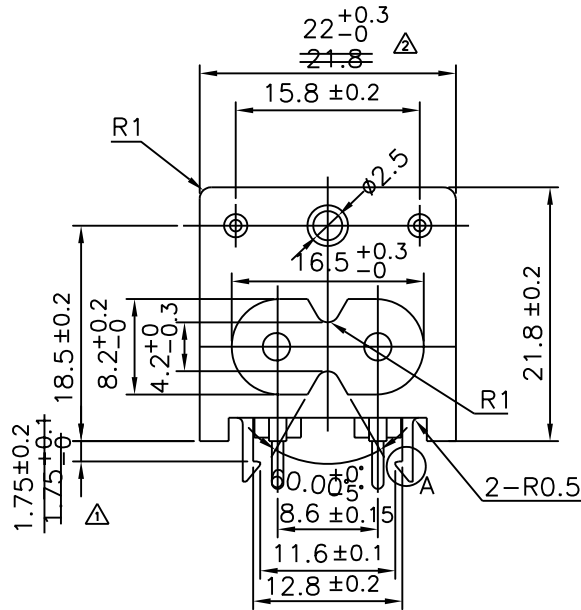
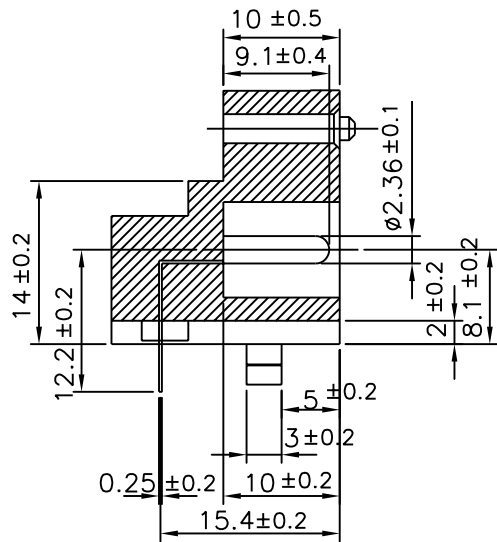
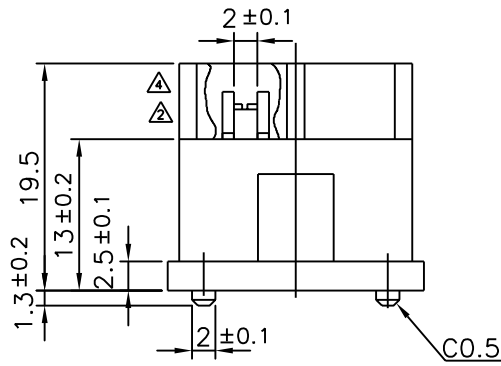
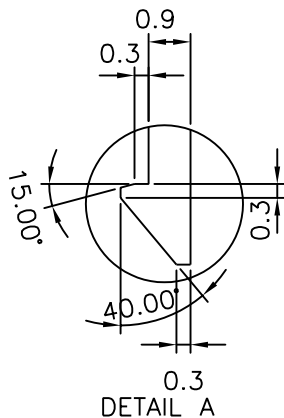


REVISIONS

LTR	DESCRIPTION	DATE	REVISED	APPROVED
△x1	變更尺寸公差	1998,08,20	Christina	Kung
△x3	修改總寬, 增加端子強度	1998,12,29	Christina	Johnson
△x1	加註VDE 認證號碼	1999,04,09	Christina	Kung
△x2	更改製程, 變更外觀.	2000,07,18		



HOLE LAYOUT
BOTTOM VIEW
(TOLERANCE: ±0.1)



DETAIL A

UNLESS OTHERWISE SPECIFIED, TOLERANCE ON DECIMAL: ±0.3 FRACTIONS:

ANGLES:

△ VDE FILE NO.: 15506-1550-0003

Note: Approved Standard: △ UL FILE NO. E95834

2	PIN	2	C2680-H t=0.25	MB:Cu Pb/Sn
1	HOUSING	1	NYLON66+15%GF (UL94V-0)	NAN YA 6410G3
LTR	PART NAME	QTY	MATERIAL(THICK,COLOR)	REMARK
DSND	CHRISTINA	DATE	1998,05,19	SCALE 2/1 NAME
DWN		DATE		3RD ANGLE PROJECTION AC POWER SOCKET
CHKD		DATE		CAT. NO.
APVD		DATE		UNIT: mm HJC-034
SINGATRON (USA)				DWN.NO. A-034
				005