



深圳市惠红兴光电科技有限公司
HHX Optoelectronic Technology Co., LTD

Specification

HHX-M74123 injection module series

specification	design	dimension	client's requirement
confirmation	project	quality	clients

★dimension(mm)

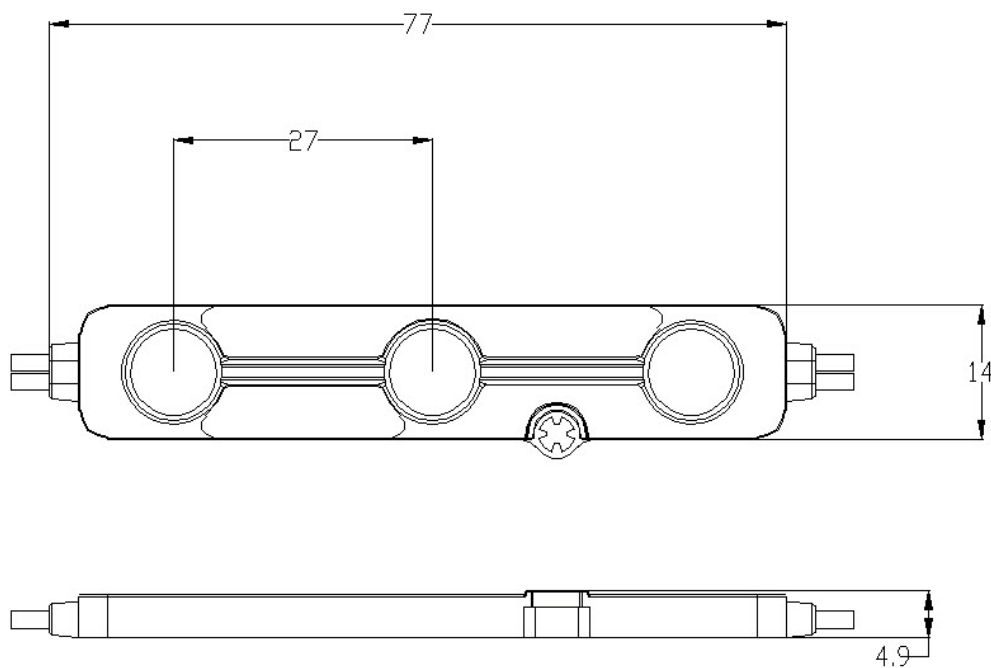


FIG. dimension of HHX-M74123-56T

unit: mm

★specifications

specification	FIG.	HHX-M74123-56T
	Item	criterion
	light shell	injection
	glue color	milky
	power	1.2W
	voltage	DC 12V
	current	100mA
	led Qty(pcs)	3
	color	white
	led type	SMD 5630
	view angle	160
	LM	130-150
	waterproof grade	IP66
	led Qty(pcs)	20 (cut off freely)

★product advantages

- 1、 Using high brightness SMD5630LED, low light decay, big angle to make effect more outstanding;
- 2、 The waterproof effect is better when the products with one-time injection moduling install outside;
- 3、 Eaeey installation design, it is convenient for customer onstall;
- 4、 Available in LED Luminous letter, advertisement light box to compose beautiful company signboard ect.

★Application

This series module , a newly-designed light, used to advertisement light box、Luminous word, and outdoor advertising billboard.

★Working environment

No.	Item	technical index	unit	remarks
1	Working temperature	-25 ~ +50	℃	
2	Storage temperature	-40 ~ +70	℃	
3	relative humidity	5% —95% No condensation		
4	heat-dissipation method	natural cooling		system heat-dissipation
5	barometric pressure	70— 106	KPa	
6	elevation	≤5000	m	nominal voltage with load

★Notes:

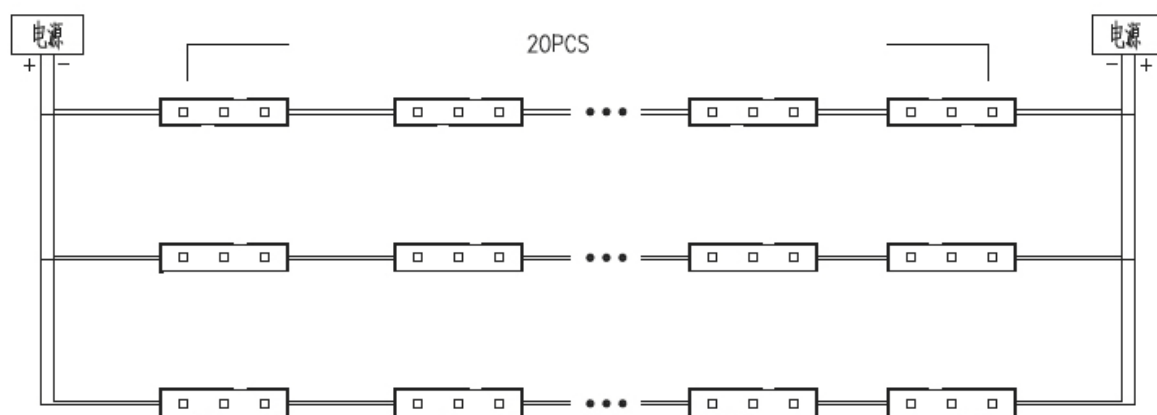
- 1、 It is forbidden to disassemble,modify products,to prevent sharp objects touch.
- 2、 The installation process is strictly prohibited to do live line work, do a good job in anti-static work in the dry environment.
- 3、 It is strictly prohibited to use any organic solvent.
- 4、 It is strictly prohibited to use any acidic, alkaline dope fixed products, if use neuter glass glue fixed this product, must stay in the open environment when glass glue solidified 4 hours later and then closed.
- 5、 During the installation process, please do a good insulated, waterproof and anti-corrosion treatment for the end of the line which without access to the mainline and every circuit connection points.
- 6、 For extended longer module power supply line, need to use 1.5 (conductor cross-sectional area is 1.5 square mm) or more thick wire core wire, so as to avoid adverse consequences caused by wire flow too much heat.
- 7、 Before power supplied ,please confirm the service voltage to meet the requirements, the line is installed correctly.
- 8、 This product can be used under the condition of both inside and outside.
- 9、 Installation, maintenance, operation and maintenance must be professional, and non-professional personnel are strictly prohibited.
- 10、 Biggest each string concatenated 20 PCS LED module, prohibit overheating concatenated.
- 11、 Standard concatenated 20 PCS module,between power and module of power line length is not more than 20 meters, otherwise the line loss increases,resulting in head and tail module brightness is inconsistent.
- 12、 Under the storage environment, the temperature at20 °C to 65 °C, humidity in the range of 45 ~ 65% RH.

★Installation:

1、 Double-sided adhesive installation

2、 Screws to install

★circuit layout



HHX-M74123-56T

★reliability

No.	Item	technical requirements	unit	remarks
1	MTBF	successive working hour \geq 30000h	hour	

★packing, delivery, storage

- 1、Packing: product name, specifications, manufacturing date are printed in packing containers
- 2、Delivery:apply to transportation of cars,ships,and aircraft,sheltering,sun-protection,and careful loading and unloading during transportation shall be noticed.
- 3、Storage: products shall be saved in containers when not be used,warehouse temperature $-30^{\circ}\text{C} - +85^{\circ}\text{C}$, relative humidity 15%-95%, no magnetic field in the warehouse, containers shall be mat 20cm high off the ground,the distance with walls, heat source,windows or air inlet within 50cm, the storage period is generally 2 years under this storage conditions,if it is more than 2 years shall be tasted again.

★after-sales service

From the date of purchasing the product,if have any quality problem under normal operation construction within two years,our company provide repair or replacement for free. Damage caused by operation beyond construction or following items,our company is no responsible for any problem or damage, even if it is still in the warranty period,the repair cost shall be borne by the customers.

The warranty terms are following:

- 1、Damage caused by improper assembly,product has been installed or operated not in accordance with the original instruction manual.
- 2、Using the power supply which exceed the working voltage or unsuitable power supply makes damage to the product.
- 3、Product has been repaired/altered/tampered with or modified by unauthorized persons.
- 4、The damage caused due to transportation, shocks, squeezing, fall damage after purchasing.
- 5、The damage caused by force majeure, such as earthquake, fire, flood, lighting

stroke and so on.

6、 Work near corrective chemicals.

7、 HHX reserves the right of final interpretation of all the products.