



HHX Optoelectronic Technology Co., LTD

Product Specification

HHX-M38103WF-50T

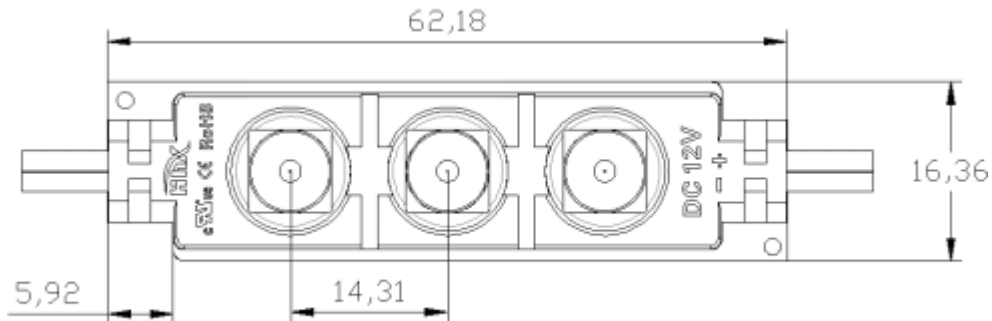


Add: 5B/F.,B8 Block, Yijing Industrial Park, Tianliao Songbai Road , Gongming
Town, Guangming District, Shenzhen.

National Service Hotline:4000-133-138

Website:www.hhxled.com

★Dimension (mm)



★Specifications

specific ation		HHX-M38103WF-50T
	Item	Parameter Standard
	Light Shell	Injection
	shell Color	Milky
	Power	0.72W
	Voltage	DC 12V
	Current	55mA
	LED Qty	3
	Color	Single Color
	LED type	SMD 5050
	View Angle	140
	LM	60-80LM
	Waterproof Grade	IP66
	Bunch/Qty	20 cut off freely

★Product Advantages

Add: 5B/F.,B8 Block, Yijing Industrial Park, Tianliao Songbai Road , Gongming Town, Guangming District, Shenzhen.

National Service Hotline:4000-133-138

Website:www.hhxled.com

1. Using high brightness SMD 5050 LED, low light decay, big angle to make the effect more outstanding.
2. The waterproof effect is better when the products with glue perfusion install outside.
3. Easy installation design, it is convenient for customer install.
4. Available in LED luminous letter, advertisement light box to compose beautiful company signboard etc.

★Application

HHX-38103 series SMD module, a newly-designed product, used to outdoor advertising signature, such as, light box advertising, luminous character and so on.

★Working environment

No	Item	Technical Index	Unit	Remarks
1	Working Temperature	-25 ~ +50	°C	
2	Storage Temperature	-40 ~ +70	°C	
3	Relative Humidity	5%—95% (No Dew)		
4	Heat-dissipation Method	Natural Cooling		System Heat-dissipation
5	Barometric Pressure	70—106	KPa	
6	Elevation	≤5000	m	Nominal Voltage with Load

★Notes

1. It is forbidden to disassemble, modify products, to prevent sharp objects touch.
2. The installation process is strictly prohibited to do live line work, do a good job in anti-static work in the dry environment.

Add: 5B/F.,B8 Block, Yijing Industrial Park, Tianliao Songbai Road , Gongming Town, Guangming District, Shenzhen.

National Service Hotline:4000-133-138

Website:www.hhxled.com

3. It is strictly prohibited to use any organic solvent.
4. It is strictly prohibited to use any acidic, alkaline dope fixed products, if use neuter glass glue fixed this product, must stay in the open environment when glass glue solidified 4 hours later and then closed.
5. During the installation process, please do a good insulated, waterproof and anti-corrosion treatment for the end of the line which without access to the mainline and every circuit connection points.
6. For extended longer module power supply line, need to use 2.5 (conductor cross-sectional area is 2.5 square mm) or more thick wire core wire, so as to avoid adverse consequences caused by wire flow too much heat.
7. Before power supplied ,please confirm the service voltage to meet the requirements, the line is installed correctly.
8. This product can be used under the condition of both inside and outside.
9. Installation, maintenance, operation and maintenance must be professional, and non-professional personnel are strictly prohibited.
10. Biggest each string concatenated 40 PCS LED module, prohibit overheating concatenated.
11. Standard concatenated 20 PCS module, between power and module of power line length is not more than 20 meters, otherwise the line loss increases, resulting in head and tail module brightness is inconsistent.
12. Under the storage environment, the temperature at-20 °C to 65 °C humidity in the range of 45 ~ 65% RH.

★Installation

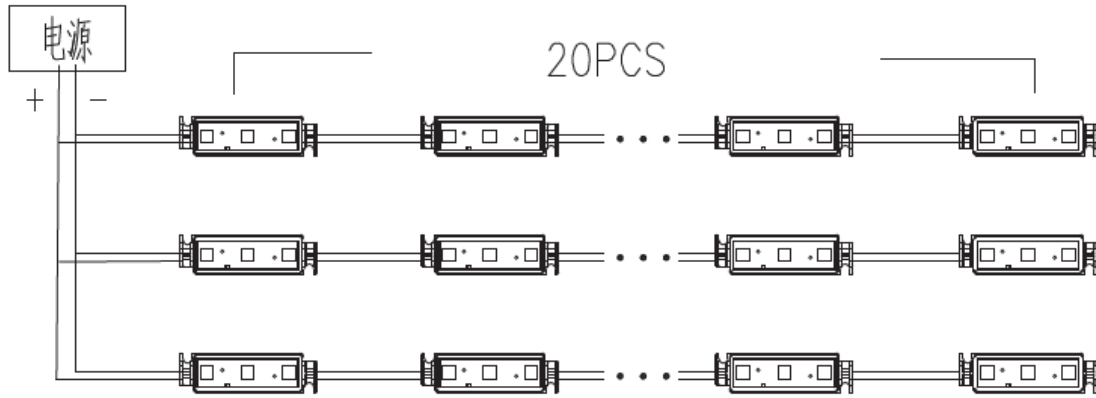
Double glue installation

★Circuit Layout

Add: 5B/F.,B8 Block, Yijing Industrial Park, Tianliao Songbai Road , Gongming Town, Guangming District, Shenzhen.

National Service Hotline:4000-133-138

Website:www.hhxled.com



★Reliability

Item	Project	Technical Requirements	Unit	Remarks
1	MTBF	successive working hour≥30000	h	

★Packing, Delivery, Storage

1. Packing: product name, specifications, manufacturing date are printed in packing containers.
2. Delivery: apply to transportation of cars, ships, and aircraft, sheltering, sun-protection, and careful loading and unloading during transportation shall be noticed.
3. Storage: products shall be saved in containers when not be used, warehouse temperature -30°C~+85°C, relative humidity 15%~95%, no magnetic field in the warehouse, containers shall be mat 20cm high off the ground, the distance with walls, heat source, windows or air inlet within 50cm, the storage period is generally 2 years under this storage conditions, if it is more than 2 years shall be tasted again.

★Aftersales Service

From the date of purchasing the product, if have any quality problem under normal operation construction within two years, our company provide repair or replacement for free. Damage caused by operation beyond construction or following

Add: 5B/F.,B8 Block, Yijing Industrial Park, Tianliao Songbai Road , Gongming Town, Guangming District, Shenzhen.

National Service Hotline:4000-133-138

Website:www.hhxled.com

items, our company is no responsible for any problem or damage, even if it is still in the warranty period, the repair cost shall be borne by the customers.

The warranty terms are following:

1. Damage caused by improper assembly, product has been installed or operated not in accordance with the original instruction manual.
2. Using the power supply which exceed the working voltage or unsuitable power supply makes damage to the product.
3. Product has been repaired/altered/tampered with or modified by unauthorized persons.
4. The damage caused due to transportation, shocks, squeezing, fall damage after purchasing.
5. The damage caused by force majeure, such as earthquake, fire, flood, lighting stroke and so on.
6. Work near corrective chemicals.
7. HHX reserves the right of final interpretation of all the products.

Add: 5B/F.,B8 Block, Yijing Industrial Park, Tianliao Songbai Road , Gongming Town, Guangming District, Shenzhen.

National Service Hotline:4000-133-138

Website:www.hhxled.com