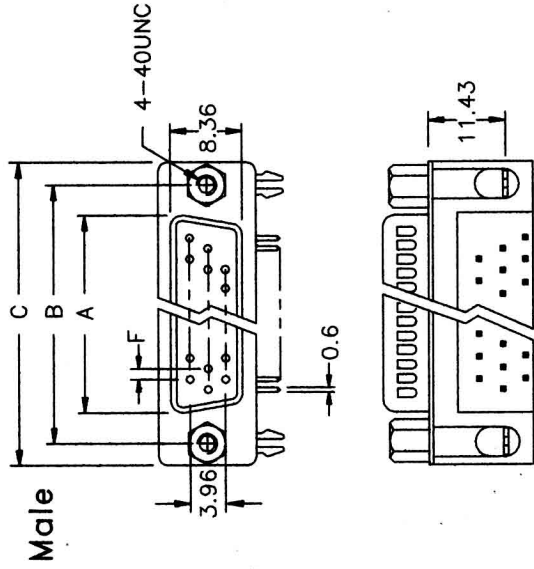
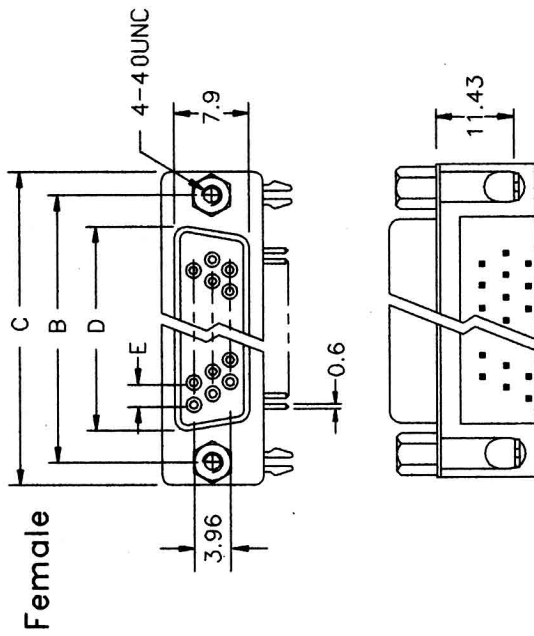


D-SUB HIGHT DENSITY RIGHT ANGLE TYPE



Specifications:

- Contact Resistance: 30mΩ max. at DC 100mA
- Insulator Resistance: 1000MΩ min. at DC 500V
- Current Rating: 3 AMP
- Dielectric Withstanding Voltage: AC 1000V For 1 minute
- Operating Temperature: -55 °C ~ +105 °C
- Contact: Brass or Phosphor Bronze
- Housing: PBT & 30% Glass Fiber (UL 94V-0)

Position	Dimension					
	A±0.25	B±0.13	C±0.5	D±0.25	E±0.05	F±0.05
15	16.92	24.99	30.8	16.33	2.29	1.145
26	25.25	33.32	39.1	24.66	2.29	1.145
44	38.25	47.04	53.0	38.38	2.29	1.145
62	55.42	63.50	69.3	54.84	2.41	1.205

PART-NO: HDL\*\*TK\*YS

DESCRIPTION:

DWG NO. 150-3 SCALE

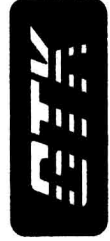
APPROVALS

DRAWN Tao.Tao.

CHECK *[Signature]*

DATE

12/07/99



億群電氣股份有限公司  
GOLD-TEK ELECTRIC CO., LTD.

CATALOG NO.

PAGE

圖面編號:GTKSD0494