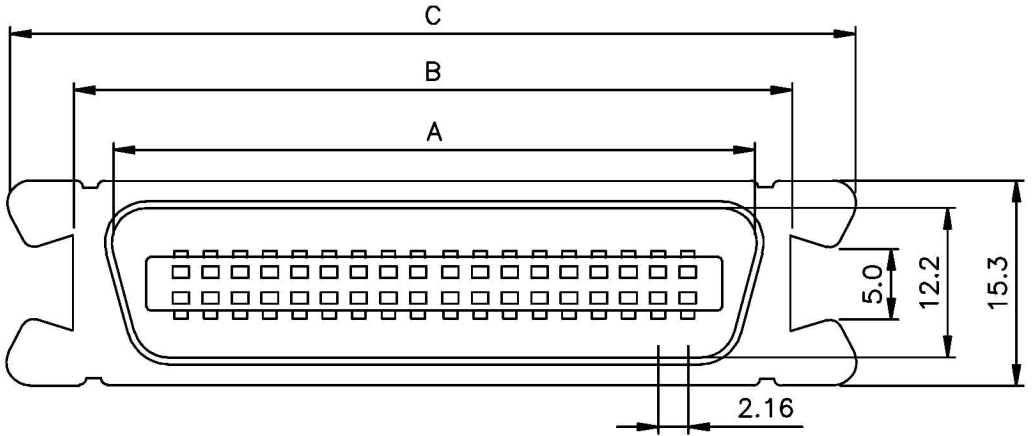


RoHS COMPLIANT

REV	ECN NO.	DESCRIPTION	DATE
A		RELEASE	NOV. 05'15

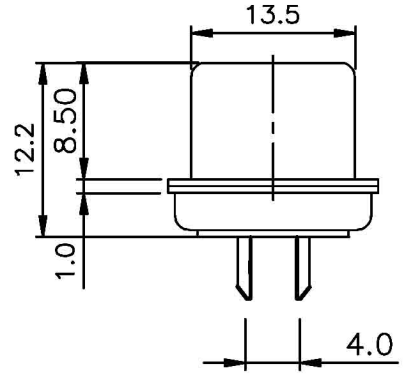
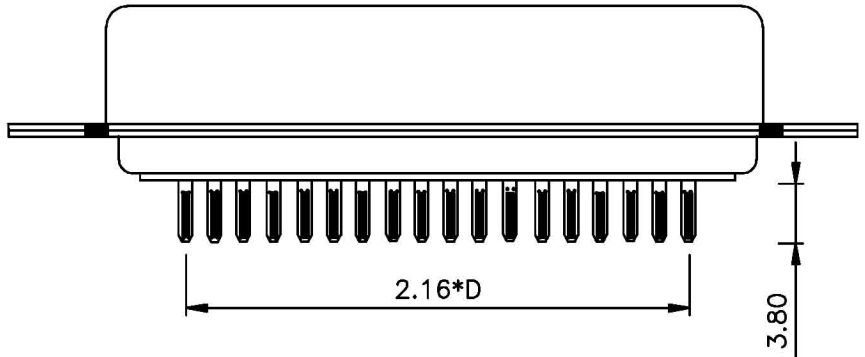


**SPECIFICATION**

- INSULATOR - P.B.T. +30%GLASS FIBER  
UL 94V-0
- CONTACT - PHOSPHOR BRONZE
- SHELL FINISH - STEEL NICKEL PLATED
- HOOD - STEEL
- PLATING - CONTACT
  - 1. GOLD FLASH (COMPLETE)
  - 2. SELECTIVE GOLD OVER NICKEL PLATED
- (CONTACT AREA) TIN OVER NICKEL PLATED (TAIL AREA)
  - SHELL  
NICKEL OVER COPPER PLATED
  - HOOD  
NICKEL OVER COPPER PLATED

**ELECTRICAL CHARACTERISTICS**

- RATING CURRENT : 1 AMP
- CONTACT RESISTANCE : < 25 MILLIOHM
- INSULATION RESISTANCE : > 1000 MEGOHM AT 500V
- DIELECTRIC VOLTAGE : 1000V AT 1 MINUTE
- OPERATION TEMPERATURE : -55°C TO +105°C



POSITION	A	B	C	D
36M	49.30	53.50	62.00	17
50M	64.40	68.30	77.40	24

TOLERANCE UNLESS OTHERWISE SPECIFIED		PROJECTION	<b>GOLD-TEK</b> ELECTRIC CO., LTD.	
LINEAR	ANGLE	UNITS MM	TITLE Centronic Solder Type Male With Latch Lock	
X. ± 0.50	X° ±		PART NO. <b>G57**03NS</b>	
.X ± 0.35	.X° ±	SCALE	CAD NO. 10556A	
.XX ± 0.25	.XX° ±		SHEET 1 OF 1	
.XXX±	.XXX° ±	SIZE A4	F:\PDF\CEN\CEN-0075	
APPD			CPART NO.	
CHKD			圖面編號:GTKSD3219-A(1)	
DRAW	Z	NOV. 05'2015		