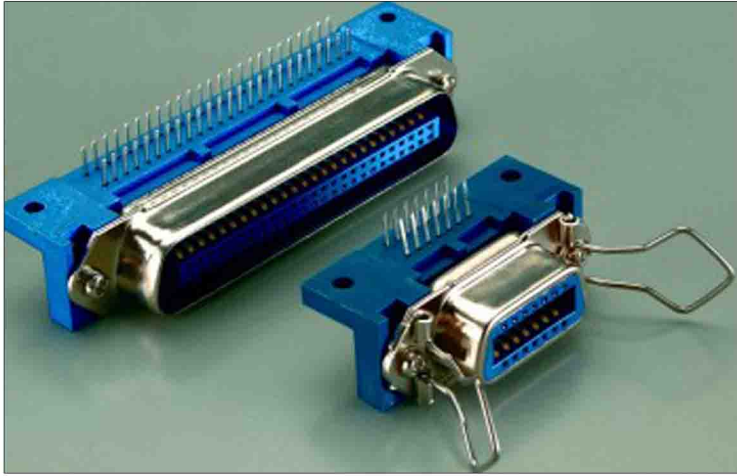


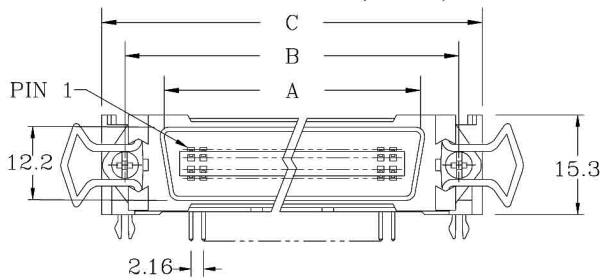
# CENTRONIC P.C.B. DIP RIGHT ANGLE TYPE



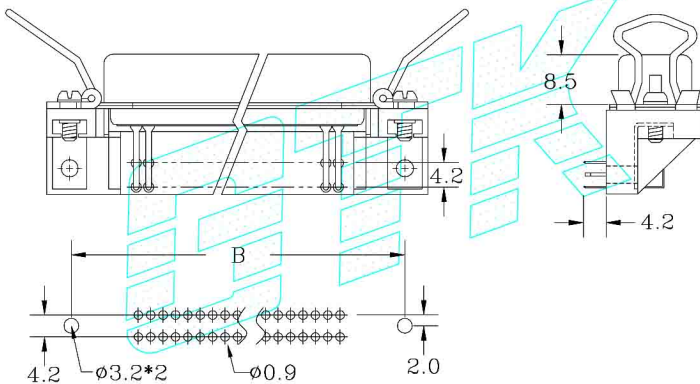
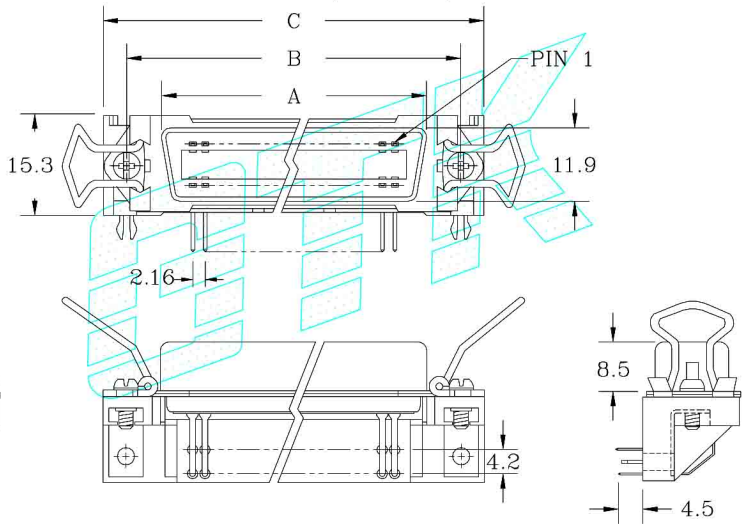
## MATERIAL & FINISH

- \*Shell : Steel, Nickel plated
- \*Contact : Phosphor bronze Gold plated over nickel
- \*Insulator: P.B.T. & Glass-fiber reinforced UL-94-V0
- \*Number Of Contact : 14, 24, 36, 50
- \*Current Rating : 5 Amp
- \*Dielectric Strength : 1000V for one minute
- \*Insulator Resistance : 1000MΩ Min. (at 500V DC)
- \*Temperature : -55°C to +105°C

G57LE TYPE(MALE)



G57LE TYPE(FEMALE)



P.C.B. LAYOUT

Position	A	B	C	D
14	25.50	36.00	43.90	25.20
24	36.30	46.80	54.70	36.00
36	49.30	59.70	67.70	48.90
50	64.40	74.90	82.80	64.10

UNIT : mm

## Ordering Information

STANDARD DIMENSION : SHOW P/N END TO CODE #5

SPECIAL DIMENSION : KEEP SHOWING CODE #6~#7 (PS.標準碼為5碼.第6~7碼視需要加註於標準碼後)

G57	LE	36	M	Y	+	B/L	/	REV
1	2	3	4	5		6		7

### 1.SERIES NO (產品系列)

G57

### 2.SERIES TYPE (產品型式)

LE = DIP RIGHT ANGLE TYPE (插板式90°)

### 3.NO. OF PIN (端子數)

14 . 24 . 36 . 50

### 4.CONTACT TYPE (連接器類別)

M = MALE TYPE (公座)

F = FEMALE TYPE (母座)

### 5.SCREWS OPTION ON FRONT (螺絲類別)

N = WITHOUT PARTS (卯合無螺牙)

Y = WITH JACK SCREWS (前鎖六角母螺絲)

Z = WITH SHORT SCREWS (前鎖+字短螺絲)

L = WITH SPRING LATCH (有蝴蝶夾)

### 6.PARTS OPTION ON BACK (後殼附件)

B/L = WITH BOARDLOCK RIVETED (後卯魚叉)

### 7.SPECIAL TYPE (特殊規格)

REV = CONTACT SIDE REVERSE (接點反向)