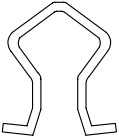
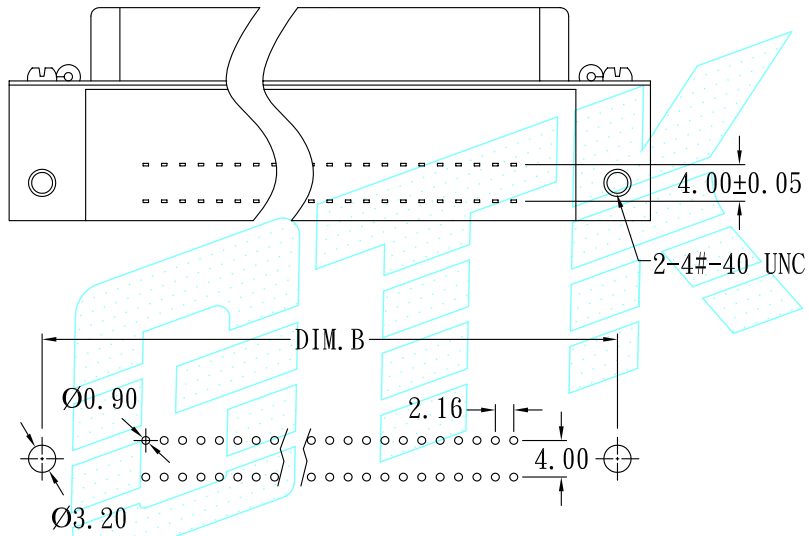
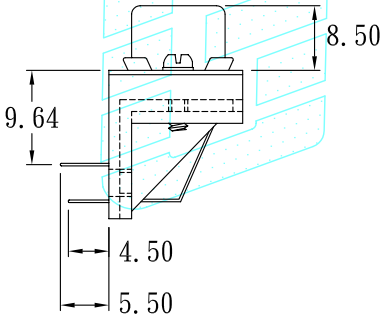


RoHS COMPLIANT



With Latch x 2 pcs



Recommended P. C. B. Layout(Top View)
Tolerances:±0.10mm

REV	ECN NO.	DESCRIPTION	DATE
A		RELEASE	JAN. 05. 06
B		MODIFY P/N	MAR. 22' 07

Electrical Characteristics

- *Current Rating:
5 AMP
- *Dielectric Voltage:
1000V At 1 Minute
- *Insulator Resistance:
1000MΩ Min. At 500V DC
- *Operating Temperature:
-55°C ~ +105°C

Material & Finish

- *Shell:
Steel, Nickel Plated.
- *Contact:
Copper Alloy, Selective Gold Over Nickel On Contact Area, Tin/Lead Over Nickel Plated On Tail Area.
- *Insulator:
PBT & Glass Fiber Reinforced UL94V-0

Part Number	Position	DIM. A	DIM. B	DIM. C	DIM. D
G57LE14FL+4#40/RH	14	43.90	36.00	25.20	6
G57LE24FL+4#40/RH	24	54.70	46.80	36.00	11
G57LE36FL+4#40/RH	36	67.70	59.70	48.90	17
G57LE50FL+4#40/RH	50	82.80	74.90	64.10	24

TOLERANCE UNLESS OTHERWISE SPECIFIED		PROJECTION	GOLD-TEK ELECTRIC CO., LTD.
LINEAR	ANGLE	UNITS	
X. ± 0.50	X° ±	MM	TITLE
.X ± 0.30	.X° ±		CENTRONIC CONNECTOR FEMALE DIP 90° TYPE WITH LATCH (簡易鎖雙牙L片)
.XX ± 0.20	.XX° ±	SCALE	PART NO.
.XXX ±	.XXX° ±	SIZE	G57LE**FL+4#40/RH
APPD		A4	CAD NO.
CHKD			I556
DRAW	Z.		F:\Drw\CEN\CEN-0059
MAR. 22' 2007			SHEET
			1 OF 1

圖面編號:GTKSD1728-B(1)