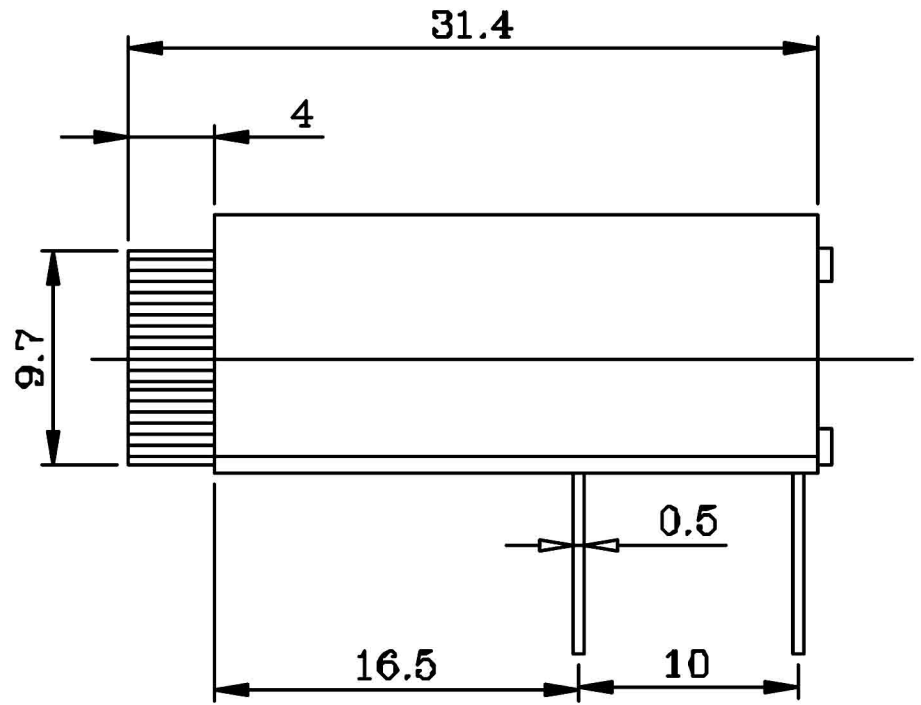


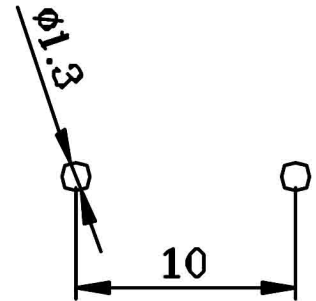
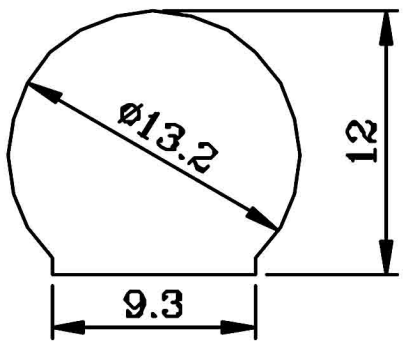
RoHS COMPLIANT

| REV | ECN NO. | DESCRIPTION | DATE |
|-----|---------|-------------|------------|
| A | | RELEASE | APR. 23'15 |
| | | | |



SPECIFICATIONS

1. Rating: 10A 250V
2. Insulation Resistance: DC 500V 100MΩ (min.)
3. Contact Resistance: 5mΩ at 1A DC
4. Dielectric Strength For 60 Seconds: AC 1500V (Min.)
5. Type: Scraw Knob
6. Approval:



P.C.B LAYOUT

| | | | | |
|--------------------------------------|---------|--------------|------------------------------------|----------------|
| TOLERANCE UNLESS OTHERWISE SPECIFIED | | PROJECTION | GOLD-TEK ELECTRIC CO., LTD. | |
| LINEAR | ANGLE | | TITLE | PART NO. |
| X. ± | X° ± | UNITS | FUSE HOLDER R/A DIP | FUH-206CH-01 |
| .X ± | .X° ± | MM | TYPE FOR 5*20MM FUSE, | CAD NO. I0203A |
| .XX ± | .XX° ± | SCALE | 10A, 250V | SHEET |
| .XXX± | .XXX° ± | SIZE | CPART NO. | 1 OF 1 |
| APPD | | A4 | | |
| CHKD | | | | |
| DRAW | Z | APR. 23'2015 | | |

圖面編號:GTKGS2298-A(1)