

# 规格书

## SPECIFICATION

型号: MODEL:	FCXXWH00DL-CT-B2 /FCXXWHDL-CT-B2
文档号: File NO:	HC-QE07-0091
版本号: REV:	A0

承认 <b>APPROVED BY HUAXIN</b>			
编写 PREPARED BY	审核 CHECKED BY		批准 APPROVED BY
段仁芳	汤超	徐建强	刘辉武

客户承认签章后敬请回传正本一份

Please kindly countersign the document and send it back for our record

客户承认 <b>APPROVED BY CUSTOMER</b>		
确认意见 COMMENTS	批准签字 APPROVED BY	盖章 COMPANY SEAL
客户公司名称: CUSTOMER NAME:		

# 目录

## TABLE OF CONTENTS

1. 产品概述 (CHARACTERISTIC) .....	3
2. 触摸参数(TOUCH SPECIFICATIONS) .....	3
3. 电气参数 (ELECTRICAL SPECIFICATIONS) .....	4
4. 存储条件 (STORAGE CONDITIONGS) .....	4
5. 可靠性测试 (RELIABILITY) .....	4
6. 工作系统 (OPERATING SYSTEM) .....	5
7. USB 接口定义 (USB INTERFACE DEFINITION) .....	6
8. 串口接口定义 (UART INTERFACE DEFINITION) .....	7
9. 注意事项 (PRECAUTIONS) .....	7

版本履历

Document Revision History

版本 Version	日期 Date	页码 Page	更新说明 Update Details
A0	2016/04/06	全部 Whole	第一次发布 First release

## 1. 产品概述 (CHARACTERISTIC)

- 支持即插即用；  
A plug-and-play device
- 本产品可选择支持六点触控、十点触控和二十点触控。  
Support six, ten and twenty touch points. (Optional)

## 2. 触摸参数(TOUCH SPECIFICATIONS)

项目 Item	规格 Specification	
常规尺寸 Active Area (Display Device)	31.5"~85"	
外框材质(适用 FCXXWH00DL-CT-B2 产品) Housing (Only limited profile shipments)	铝合金 Aluminum Alloy	
外框颜色(适用 FCXXWH00DL-CT-B2 产品) Housing Color (Only limited profile shipments)	黑色 Black	
插值分辨率 Interpolation resolution	32767 (W)×32767 (D)	
响应速度 Response Time	<15ms	
上传帧率 Frame Rate	125Hz	
触摸精度 Touch Accuracy	90%以上的触摸区域为±2mm ±2mm(over 90% Area)	
输入方式 Input Method	手指、触摸笔等不透光物体 Finger, Finger cover by glove, Opaque objects	
输出形式 Output Form	坐标输出 Coordinate Value	
理论点击次数 Touch Durability	无限次 Unlimited	
最小触摸物体 Minimum Object Sizes For Touch	单点 Single Touch	6mm
	多点 Multi Touch	8mm
接口类型 Interface	USB	
	TTL 电平串口 TTL Serial Port	

### 3. 电气参数 (ELECTRICAL SPECIFICATIONS)

项目 Item	规格 Specification
通信类型 Communication Type	USB 2.0 全速 USB2.0 Full Speed
传输速度 Transmission Rate	12Mbps
供电方式 Power Supply	USB
工作电压 Working Voltage	DC 5V±5%
平均电流 Average Current	<300mA

### 4. 存储条件 (STORAGE CONDITIONGS)

项目 Item	规格 Specification
存储温度 Storage Temperature	-10℃~40℃
存储湿度 Storage Humidity	30%~70% RH
存储时间 Storage Time	六个月 6 Months

### 5 可靠性测试 (RELIABILITY)

项目 Item	规格 Specification
低温操作 Low temperature operation	温度: -20℃, 时间: 48H Temperature: -20℃, time: 48H
低温启动 Low temperature start	温度: -20℃, 时间: 4H Temperature: -20℃, time: 4H
低温存储 Low temperature storage	温度: -20℃, 时间: 48H Temperature: -20℃, time: 48H
高温操作试验 High temperature operation test	温度: 60℃, 时间: 48H Temperature: 60℃, time: 48H
高温、高湿操作 High temperature, high humidity operation	温度: 60℃, 湿度: 95%RH, 无凝结物, 时间: 48H Temperature: 60℃, humidity: 95%RH, no condensation, time: 48H
高温、高湿存储 High temperature, high humidity storage	温度: 60℃, 湿度: 95%RH, 无凝结物, 时间: 48H Temperature: 60℃, humidity: 95%RH, no condensation, time: 48H
温度变化试验 Temperature change test	温度: -20℃~60℃, 循环次数: 10 次, 速率: 1℃/min Temperature: -20℃~60℃, Loop number: 10 times, Speed: 1℃/min
冷热冲击	高温: 85℃, 低温: -45℃, 50 个循环

Thermal Shock Test	High temperature: 85°C, low temperature: -45°C, 50 cycles
包装振动试验 Packing vibration test	频率: 5~200H, 功率谱密度: 0.015G2/Hz , 总均方根加速度: 1.57G, 振动方式: 随机振动; Frequency: 5~200H, power spectral density: 0.015G2/Hz, total RMS acceleration: 1.57G, vibration mode: random vibration
包装跌落试验 Package drop test	一角三边六面 A corner three side six-faces
ESD level	按照 IEC61000-4-2 B 级。接触式放电 4KV, 空气式放电 8KV (适用于 FCXXWH00DL-CT-B2 产品) According to IEC61000-4-2 level B. Contact discharge 4 KV, air discharge 8KV (Apply to FCXXWH00DL-CT-B2 products)

## 6 工作系统 (OPERATING SYSTEM)



OS	Windows						
Sub-OS	Windows 2000	Windows XP	Windows Vista	Windows 7	Windows 8/8.1	Windows 10	Windows CE 6.0
Support	√	√	√	√	√	√	√
Multi-touch	single	single	single	√	√	√	single
Driver	HID compliance ,not need any driver						need driver
Notice:	Performance will be impacted if mentioned systems do not support multi-touch function or have no copyrights. And Windows 8 must be non OEM version						



OS	Linux			
Sub-OS	Fedora 10 or above	Ubuntu 10.04 or above	RedFlag 6.2 or above	OpenSuse 11.4 or above
Support	√	√	√	√
Multi-touch	<ul style="list-style-type: none"> <li>· kernal version <b>3.0+</b> ,can support multi-touch by adding patch</li> <li>· kernal version <b>3.5+</b>, HID compliance support multi-touch</li> </ul>			
Driver	HID compliance.			



OS	Mac OS X	
Sub-OS	10.9 or lower	10.10 or above
Support	√	√
Multi-touch	· Supported by UPDD driver	
Driver	· HID compliance support single touch · Multi-touch supported by UPDD driver	



OS	Android				
Sub-OS	2.1	2.2	2.3	3	4.0/4.1/4.2
Support	N/A	√	√	N/A	√
Driver	HID compliance.				
Multi-touch	·kernel version 2.6.32+, we can provide patch ·Kernal version 3.5+ , HID compliance support Multi-touch				



OS	Chrome
Sub-OS	39 or above
Support	√
Driver	HID compliance.

Notice: if your OS version is not above mention, please contact us

[sales@huaxintouch.com](mailto:sales@huaxintouch.com)

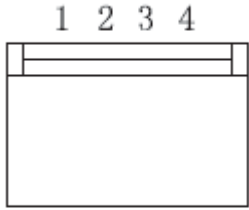
## 7 USB 接口定义 (USB INTERFACE DEFINITION)

引脚 Pin	定义 Definition	描述 Description
1	VCC	+5V
2	DM	USB 数据线 D- USB Data -
3	DP	USB 数据线 D+ USB Data +
4	GND	地 Ground
5	GND	地 Ground

PITCH 1.0mm

## 8 串口接口定义 (UART INTERFACE DEFINITION)

引脚 No	定义 Definition	描述 Description
1	GND	地 Ground
2	TXD	串口 (TTL) 发送数据 Serial (TTL) data transmitting
3	RXD	串口 (TTL) 接收数据 Serial (TTL) data receiving
4	VCC	+5V



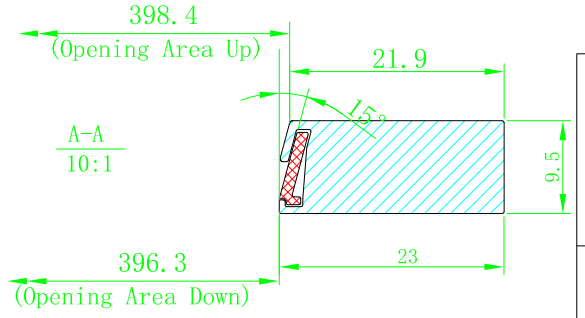
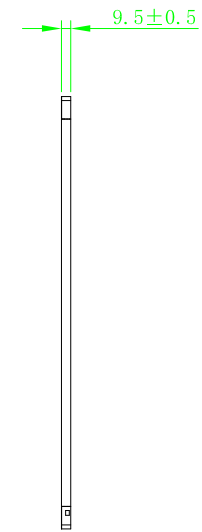
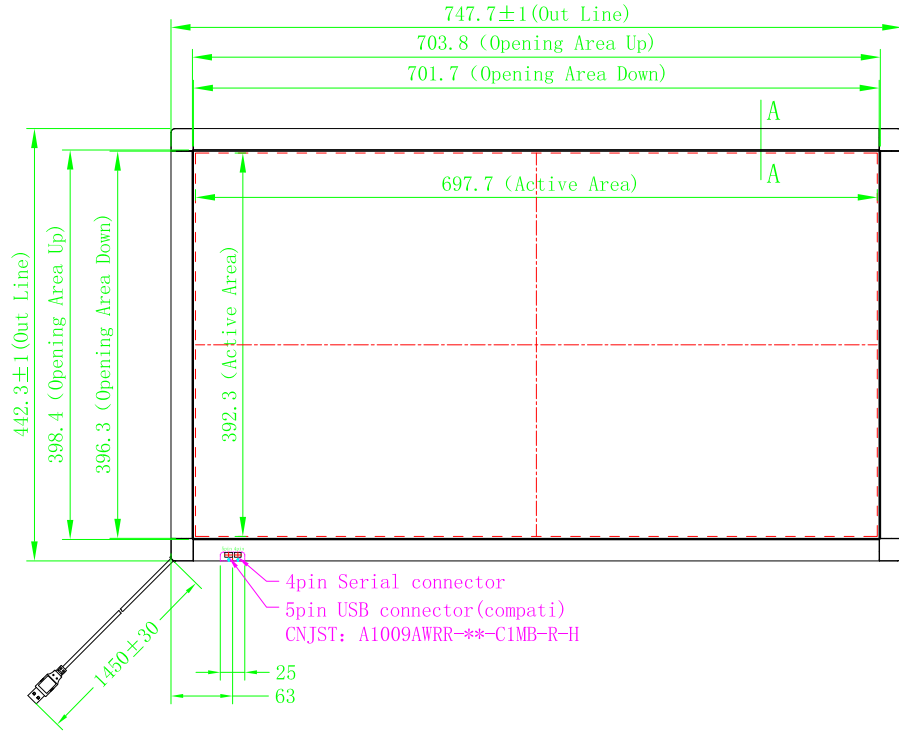
PITCH 1.0mm

## 9 注意事项 (PRECAUTIONS)

- 避免触摸屏扭曲和弯曲。  
Be careful not to twist and bend the touch panel.
- 手持触摸屏时，避免强烈的撞击。  
No strong strike to the touch panel when hand the touch frame.
- 依照组装指南进行触摸屏安装，避免连接器连接错位以及元器件碰撞。（适用于 FCXXWHDL-CT-B2 产品）  
Assemble the PCBA follow the Instruction guidance, avoid connectors being misplaced and avoid component colliding with section. (Apply to FCXXWHDL-CT-B2 products)
- 请不要将 PCBA 重叠堆放一起。（适用于 FCXXWHDL-CT-B2 产品）  
Don't place PCBA overlapped. (Apply to FCXXWHDL-CT-B2 products)
- 生产工厂、测试夹具和工具必须要连接至大地。  
Operating area, fixtures, tools and all related facility shall be grounding.
- 避免强大的机械应力作用于触摸屏，这些不当的操作会造成触摸屏不能正常工作。  
Avoid strong mechanical force to the touch frame, which might affect its normal function.
- 最好的清洁剂是水或者酒精，不能使用丙酮，烧碱，胺，强酸，乙醇，吡啶，丙酮，苯，酯或氯甲烷来清洗板卡。  
The best cleaner is water or alcohol. Do not use Acetone, Caustic soda, Amine, Ammonia, Strong acid, Ethyl alcohol, Pyridine, Acetone, Benzene, Ester or Methyl chloride.
- 清洗触摸屏之前请先关闭触摸屏电源。  
Please power-off the device before cleaning.
- 不要长时间将触摸屏暴晒阳光下，否则其电子元器件会被损坏。  
Don't expose the touch panel directly to the sun or other heat source for a long time. otherwise the electronic components maybe damaged.
- 任何用户不允许复制和反编译触摸屏软件，请正确使用触摸屏。  
Not allow to copy and decompile our touch software without our authorization in written.



LOGO	REV.	Date	Changes
△			
△			
△			



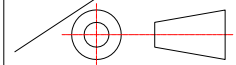
注：未注公差±0.2mm

A-A  
10:1

TOLERANCES  
(UNLESS OTHERWISE STATED)

DECIMALS	ANGLES	±0.5°
>2000mm	±2.00mm	
1600 < x ≤ 2000mm	±1.20mm	
1200 < x ≤ 1600mm	±0.80mm	
800 < x ≤ 1200mm	±0.50mm	
400 < x ≤ 800mm	±0.40mm	
120 < x ≤ 400mm	±0.30mm	
30 < x ≤ 120mm	±0.20mm	
≤ 30mm	±0.10mm	

THIRD ANGLE PROJECTION



MODEL NO.	FC系列			NOTES:
PART No.	FC315WH00DL-CT-B2	SCALE	1:1	
PART NAME	产品尺寸图	REV.	1.0	
UNIT	mm	SIZE	FREE	
MATERIAL		SHEET	1/1	
SURFACE			CHK'D	
DRAWN			APP'D	