



Feature

- Sing-turn / Carbon / Open Frame
- Horizontal and vertical adjustment
- Board retention feature

8mm Carbon Film Trimmer Potentiometer

Electrical characteristics

- Total Resistance.....100 Ω ~1M Ω
- Total Resistance Tolerance..... 500 Ω <TR<1M Ω , $\pm 20\%$ 500 \geq TR, $\pm 30\%$
- Resistance Taper.....A,B,C
- Max.Operation Voltage..... AC50V
- Rated Power..... 0.1W
- Sliding Noise.....Less than 100mv
- Residual resistance value..... < 10 Ω
- Contact resistance..... 5% or less

Mechanical characteristics

- Total Rotational Angle.....260° $\pm 10^\circ$
- Rotational Torque.....3gf.cm~100gf.cm
- Rotational Stopper Strength.....1.0kgf.cm Min.

Durability

- Rotational Life.....100 Cycles ± 5 Cycles
- Temperature range.....-10°C to +70°C
- Temperature characteristics.....70°C $\pm 3^\circ$ C
- Temperature Coefficient..... ± 1000 ppm /°C
- Soldering conditions..... 260°C $\pm 5^\circ$ C,5sec
- Humidity..... 40 $\pm 2^\circ$ C, 95- 95% RH, 240 ± 8 H, Δ TR +15% /-20%
- Load life..... 50°C $\pm 2^\circ$ C, 240 ± 8 hours Δ TR $\pm 5\%$
- Resistance to heat.....300 $\pm 10^\circ$ C; 3 $\pm 0,5$ Sec Δ TR $\pm 10\%$



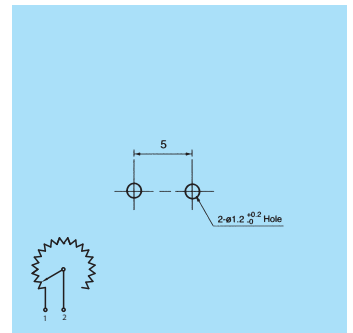
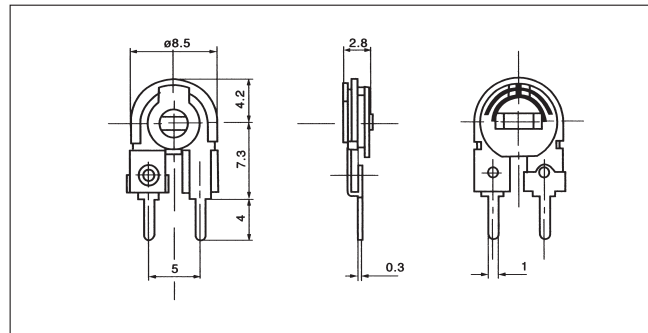
ø8.0 mm Series



Carbon Film Trimmer Potentiometer

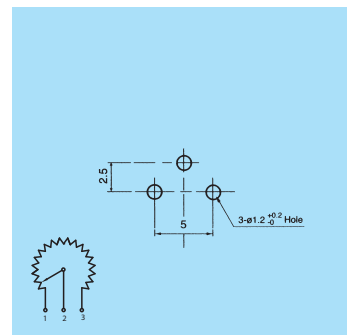
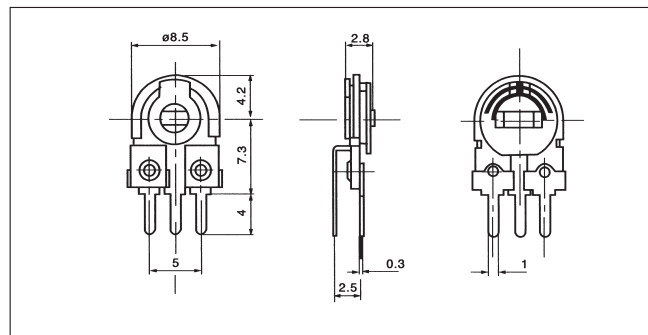
F-082

Vertical Type, Pitch : 5 mm



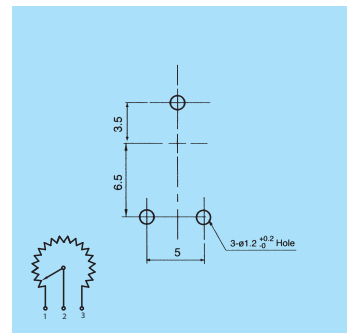
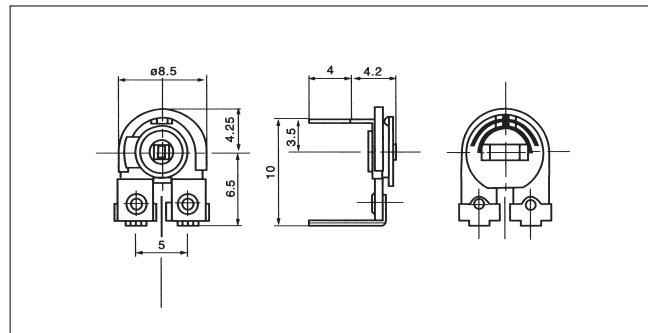
F-083

Vertical Type, Pitch : 5 x 2.5 mm



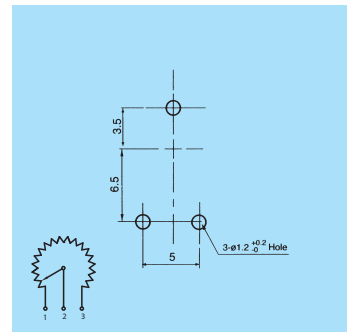
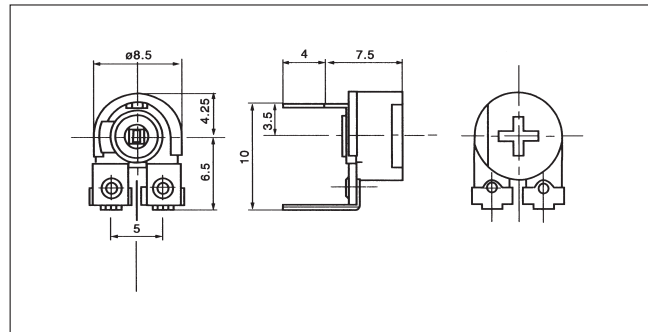
F-085

Horizontal Type, Pitch : 5 x 10 mm



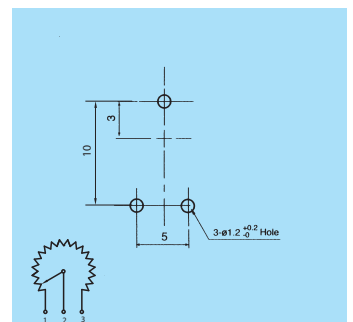
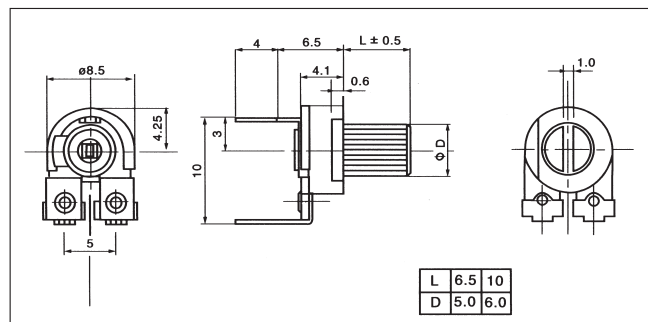
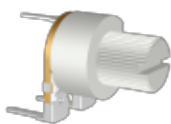
F-085C

Horizontal Type with Cover,
Pitch : 5 x 10 mm



F-085H

Horizontal Type with Shaft,
Pitch : 5 x 10 mm



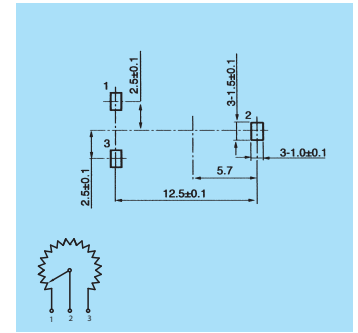
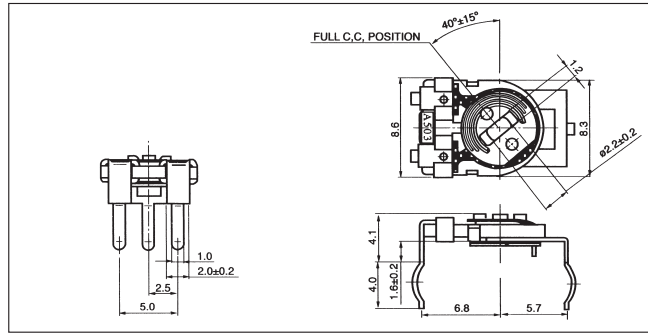


ø8.0 mm Series

Carbon Film Trimmer Potentiometer

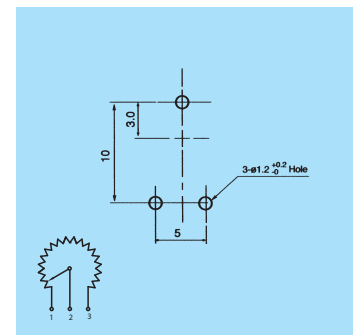
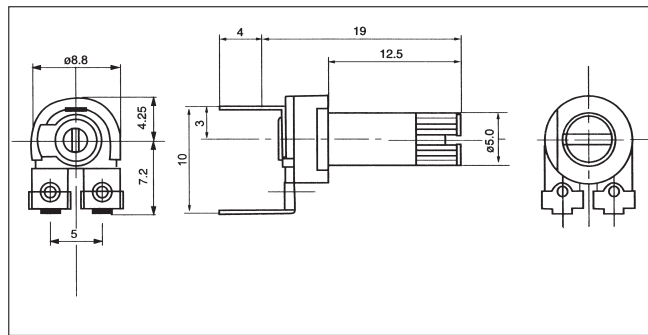
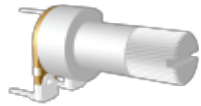
F-085B

Horizontal Type, Pitch : 5x12.5mm



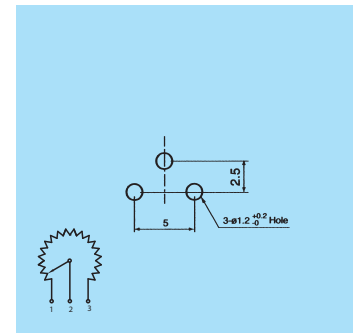
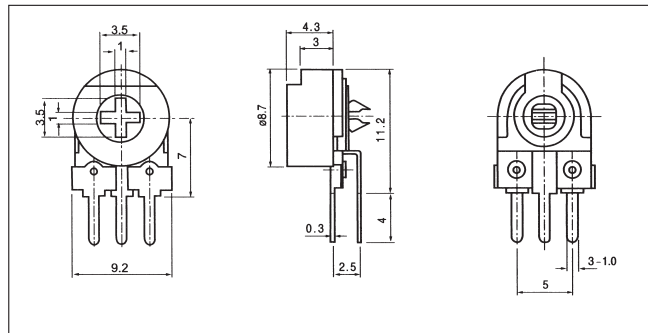
F-085X

Horizontal Type, with Shaft
Pitch : 5 x 10 mm



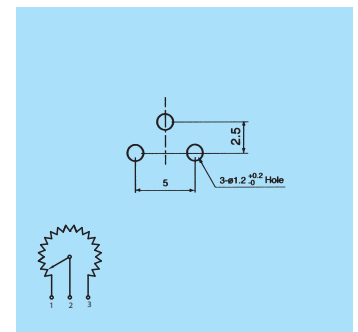
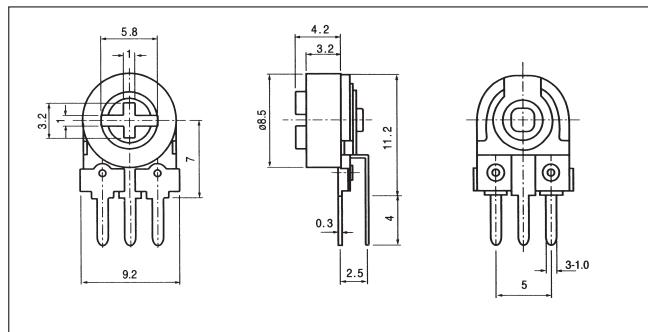
F-0825SC

Vertical Type, Pitch : 5 x 2.5 mm



F-0825SD

Vertical Type, Pitch : 5 x 2.5 mm



F-0825SH

Vertical Type, With Shaft
Pitch : 5 x 2.5 mm

