

EE cores

Regular type

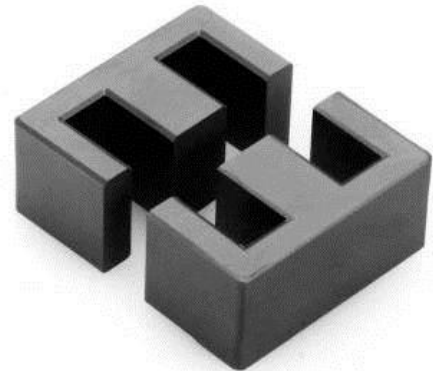
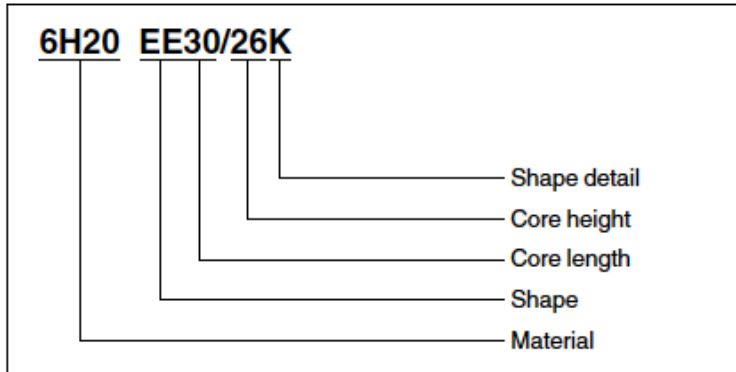
Features

Varieties of core types are available according to customers' needs.

Applications

Switching power supply transformers, choke coils, inverters, converters, pulse transformers and so on.

Designation

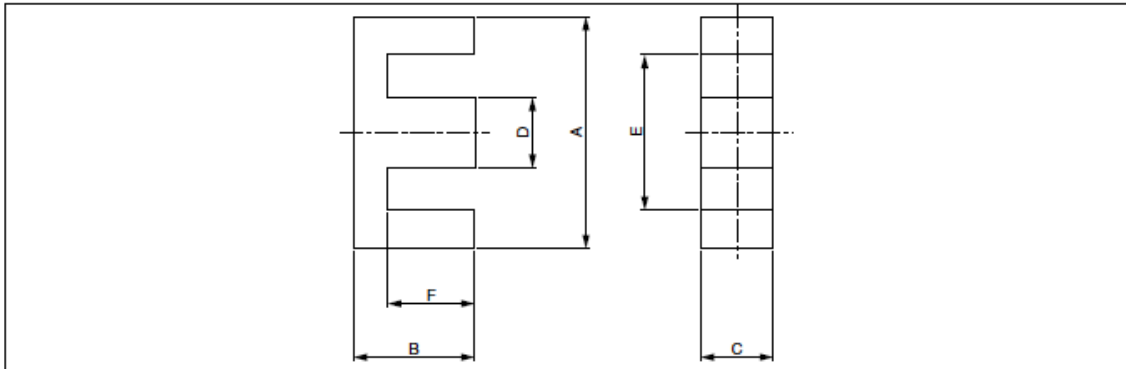


Product code	General standard		Dimensions(mm)					
	IEC	JIS	A	B	C	D	E	F
EE10/10-4.5W			10.0±0.3	5.05±0.1	4.45+0/-0.3	2.45±0.1	7.0MIN.	3.6+0.2/-0
EE10/11D		FEE10.2	10.2±0.2	5.5±0.1	4.75±0.15	2.45±0.15	7.8MIN.	4.3+0.15/-0.075
EE12.6/13	E13/4	FEE12.7A	12.6+0.5/-0.4	6.5+0/-0.2	3.7+0/-0.3	3.7+0/-0.3	8.9+0.6/-0	4.5+0.3/-0
EE13/11			13.0±0.3	5.6+0.3/-0	6.5±0.2	3.8±0.15	9.8±0.3	4.1+0.3/-0
EE13/12C			13.0±0.2	6.0±0.15	6.15±0.15	2.75±0.15	10.2±0.2	4.6±0.1
EE16/14K			16.0±0.3	7.1+0.2/-0	5.0+0/-0.4	4.0+0/-0.4	12.0±0.3	5.1+0.25/-0
EE16/14C		FEE16A	16.0±0.3	7.2±0.3	5.0+0/-0.4	4.0±0.2	11.7MIN.	5.2±0.2
EE16/15			16.0±0.3	7.3±0.2	10.0±0.3	4.0±0.2	11.7MIN.	5.2±0.2
EE16/16			16.0+0.7/-0.5	8.2+0/-0.3	4.7+0/-0.4	4.7+0/-0.3	11.3+0.6/-0	5.7+0.4/-0
EE16/24B		FEE16B	16.0±0.3	12.0+0.4/-0	5.0+0/-0.4	4.0±0.2	11.8MIN.	10.0+0.4/-0
EE19/16H			19.3±0.3	8.2±0.2	9.6±0.2	4.55±0.15	14.3MIN.	5.95±0.15
EE19/16K		FEE19A	19.1±0.3	7.8+0.3/-0	5.2+0/-0.4	4.7+0/-0.3	14.2MIN.	5.5+0.4/-0
EE19/16N			19.3±0.3	8.2±0.2	5.2+0/-0.4	4.7+0/-0.3	14.3MIN.	5.95±0.2
EE20/20A	E20/6	FEE20.1	20.0±0.4	9.9±0.2	5.65±0.25	5.7±0.2	14.1MIN.	7.2±0.2
EE20/20D			20.4±0.4	10.15±0.15	5.65±0.25	5.7±0.2	14.5MIN.	7.45±0.2
EE20/20E			20.4±0.4	10.15±0.15	8.75±0.15	5.7±0.2	14.5MIN.	7.45±0.2
EE20/28			20.0±0.3	13.95±0.25	5.0±0.2	4.55±0.2	14.3MIN.	11.45±0.15
EE22/19		FEE22A	22+0/-0.6	9.55±0.25	6.0+0/-0.5	6.0+0/-0.5	15.5MIN.	5.3+0.4/-0
EE22/29		FEE22B	22.0±0.5	14.5+0.5/-0	6.0+0/-0.5	6.0+0/-0.5	16.0±0.5	10.5+0.5/-0
EE22/30C			21.8±0.4	14.9±0.2	5.7±0.25	5.7±0.25	16.0MIN.	11.9±0.2
EE23/25			22.6±0.3	12.3±0.2	21.8±0.3	6.6±0.2	14.8MIN.	8.0±0.2

EE cores

Regular type

Summary



Product code	Magnetic parameter								AL (nH/N ²)	
	C1 (mm ⁻¹)	Le (mm)	Ae (mm ²)	Ve (mm ³)	Ac (mm ²)	A _{MIN.} (mm ²)	Aw (mm ²)	W (g)	6H20	2H10
	EE10/10-4.5W	2.03	23.7	11.7	277				1.4	
EE10/11D	2.16	26.1	12.1	315	11.6	10.5L	24	1.4	850±25%	
EE12.6/13	2.41	29.7	12.4	369	12.6	12.2L	26.3	1.9	800±25%	3500±25%
EE13/11	1.33	27.9	21	586	24.7	19.5B	25.5	3.1	1400±25%	
EE13/12C	1.77	30.2	17.1	517	16.9	16.9C	34.3	2.5	1100±25%	
EE16/14K	1.87	35.2	18.9	663	18.2	18.2C	42.6	3.2	1100±25%	
EE16/14C	1.83	35.1	19.2	674	19.2	19.2LBC	41.6	3.4	1100±25%	
EE16/15	0.87	35.2	40.6	1430				7.2		
EE16/16	1.87	37.6	20.1	756	20.5	19.4B	41.6	3.6	1100±25%	
EE16/24B	2.87	55.1	19.2	1060	19.2	19.2LBC	81.6	5.3	800±25%	
EE19/16H	0.93	41	44	1802	43.7			9.1		
EE19/16K	1.72	39.6	23.1	915	22.8	22.8C	55.7	4.6	1200±25%	
EE19/16N	1.75	39.6	23.1	916	22.8	22.8C	56	4.6	1200±25%	
EE20/20A	1.45	46	32	1490	32.2	31.6B	62.6	7.5	1550±25%	
EE20/20D	1.45	47.7	32	1490	32.2	31.6B	69.7	7.5	1550±25%	
EE20/20E	0.916	47.7	47.78	2282	49.9	49.1B	69.3	11.5	2200±25%	
EE20/28	2.61	63.5	24.3	1543				7.6	868±25%	
EE22/19	1.15	42.5	37	1570	33.1	33.1C	54.7	8.3	1850±25%	
EE22/29	1.73	63.4	36	2280	33	33.0C	108	11.6	1200±25%	
EE22/30C	2.08	67.25	32.38	2177.3				11		
EE23/25	0.33	52.4	161	143.9	8431			44.5		