

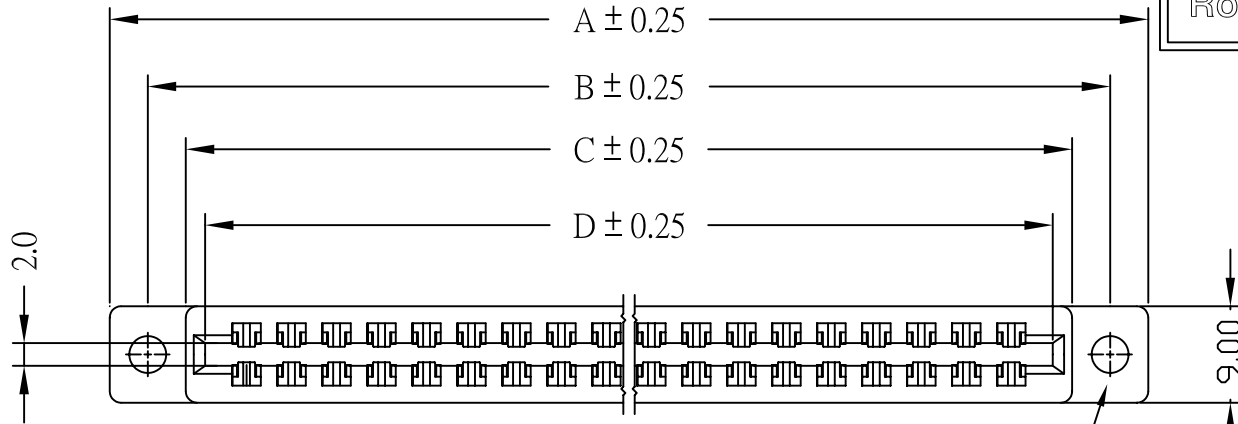
RoHS COMPLIANT

| REV | ECN NO. | DESCRIPTION | DATE |
|-----|---------|----------------|-------------|
| A | | RELEASE | APR. 18' 05 |
| B | | MODIFY PART NO | FEB. 07' 06 |
| C | | MODIFY PART NO | OCT. 12. 07 |
| D | | MODIFY P/N | AUG. 03' 11 |

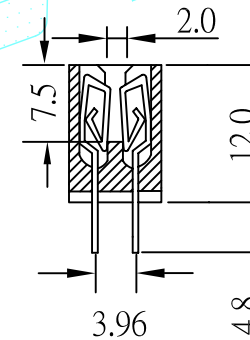
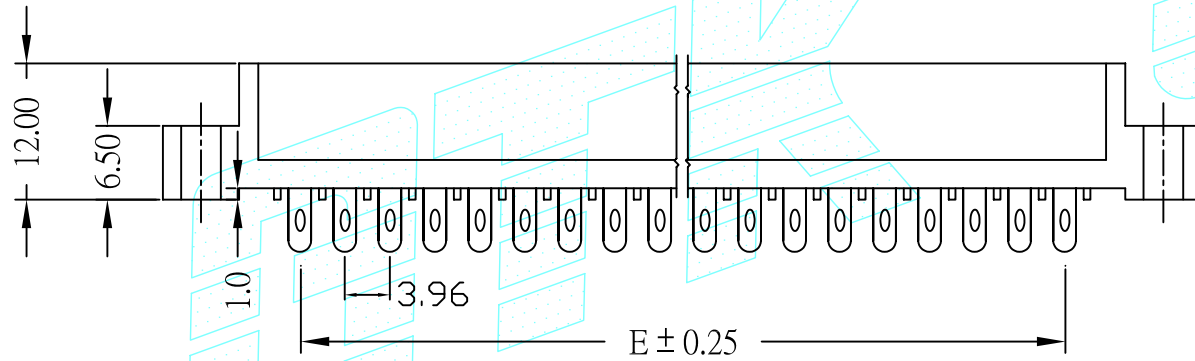
FEATURE:
 INSULATOR : PBT+30% Glass Fiber (UL94V-0)
 Contact : Brass
 Plating : Gold Flash Over All

SPECIFICATION :
 Current Rating : 3 Amp
 Contact Resistance : 20 Milliohms Max.
 Insulation Resistance : 5000 MEGOHMS MIN AT 500 VDC.
 VOLTAGE : 500V FOR ONE MINUTE.

ENVIRONMENTAL
 TEMPERATURE RANGE : -40°C~+105°C



2- ϕ 3.10



| CONTACTS NO | DIN A | DIN B | DIN C | DIN D | DIN E | CONTACTS NO | DIN A | DIN B | DIN C | DIN D | DIN E |
|-------------|--------|-------|-------|-------|-------|-------------|--------|--------|--------|--------|--------|
| 5/10 | 41.24 | 34.94 | 27.40 | 24.06 | 15.84 | 22/44 | 108.56 | 102.26 | 94.72 | 91.38 | 83.16 |
| 6/12 | 45.20 | 38.90 | 31.36 | 28.02 | 19.80 | 23/46 | 112.52 | 106.22 | 98.68 | 95.34 | 87.12 |
| 8/16 | 53.12 | 46.82 | 39.28 | 35.94 | 27.72 | 24/48 | 116.44 | 110.18 | 102.26 | 99.30 | 91.08 |
| 10/20 | 61.04 | 54.74 | 47.20 | 43.86 | 35.64 | 25/50 | 120.44 | 114.14 | 106.60 | 103.26 | 95.04 |
| 12/24 | 68.96 | 62.66 | 55.12 | 51.78 | 43.56 | 28/56 | 132.32 | 126.02 | 118.48 | 115.14 | 106.92 |
| 13/26 | 72.92 | 66.62 | 59.08 | 55.74 | 47.52 | 30/60 | 140.24 | 133.94 | 126.40 | 123.06 | 114.84 |
| 14/28 | 76.88 | 70.58 | 63.04 | 59.70 | 51.48 | 31/62 | 144.20 | 137.90 | 130.36 | 127.02 | 118.80 |
| 15/30 | 80.84 | 74.54 | 67.00 | 63.66 | 55.44 | 32/64 | 148.16 | 141.86 | 134.32 | 130.98 | 122.76 |
| 16/32 | 84.80 | 78.50 | 70.96 | 67.62 | 59.40 | 35/70 | 160.04 | 153.74 | 146.20 | 142.86 | 134.64 |
| 18/36 | 92.72 | 86.42 | 78.88 | 75.54 | 67.32 | 36/72 | 164.00 | 157.70 | 150.16 | 146.82 | 138.60 |
| 20/40 | 100.64 | 94.34 | 86.80 | 83.46 | 75.24 | 43/86 | 191.48 | 185.49 | 177.88 | 174.54 | 166.32 |

TOLERANCE UNLESS OTHERWISE SPECIFIED

| LINEAR | ANGLE |
|-----------------|-------------|
| X. \pm | X° \pm |
| .XX \pm 0.38 | .XX° \pm |
| .XXX \pm 0.25 | .XXX° \pm |
| .XXX \pm | .XXX° \pm |

PROJECTION

| | |
|-------|----|
| UNITS | MM |
| SCALE | |
| SIZE | A4 |



GOLD-TEK ELECTRIC CO., LTD.

TITLE
 EDGE CONNECTOR 3.96MM
 PITCH WITH MOUNTING
 EARS SOLDER TYPE
 (全金; 藍色)

PART NO. ECD**SIG1

CAD NO. I133 SHEET 1 OF 1
 F:\Drw\SOC\SOC-0317

圖面編號:GTKSD1449-D(1)