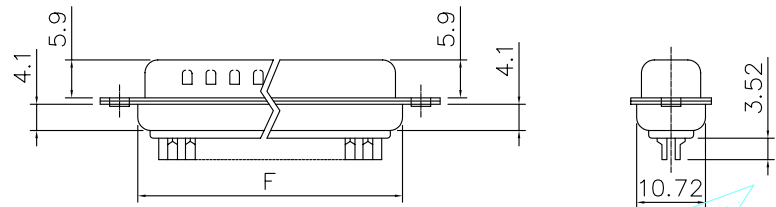
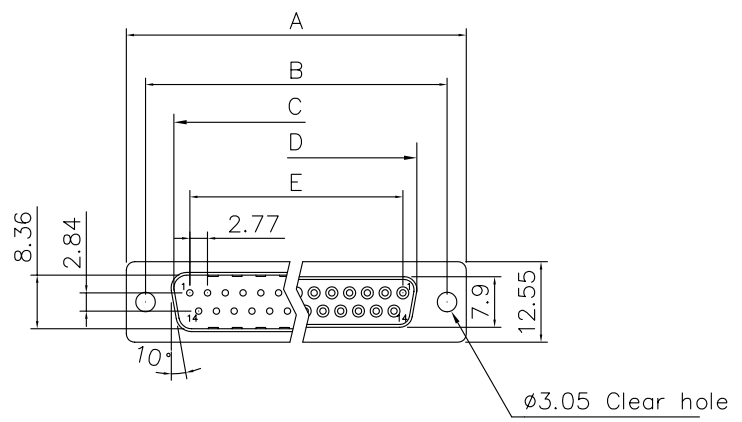
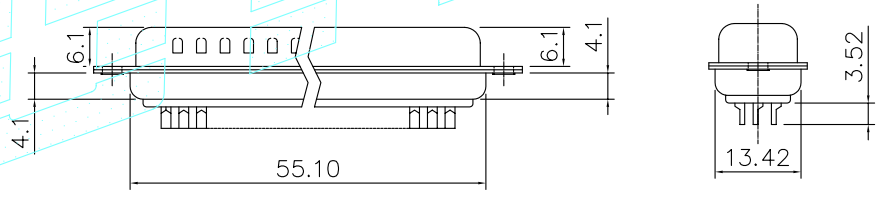
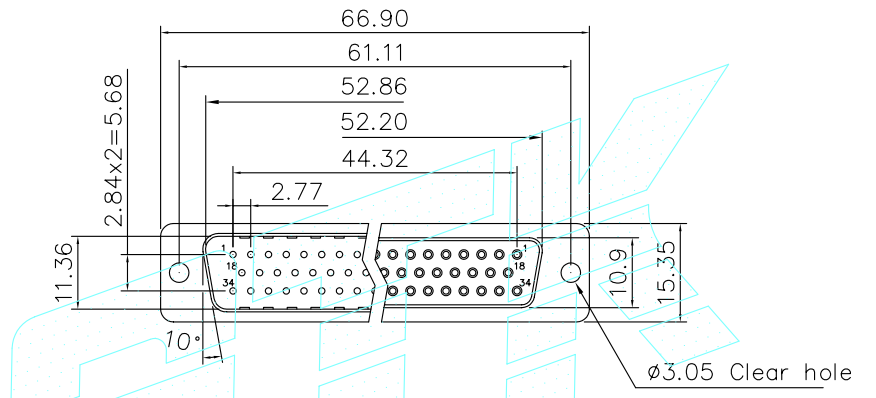


REV	ECN NO.	DESCRIPTION	DATE
A		RELEASE	SEP. 14. 99
B		REDRAW	DEC. 27. 05



Dimensions Positions	A	B	C	D	E	F
9	30.81	24.99	16.92	16.33	11.08	19.20
15	39.14	33.32	25.50	24.66	19.39	27.70
25	53.04	47.04	38.96	38.38	33.24	41.10
37	69.32	63.50	55.42	54.84	49.86	57.30



50 Positions

Product Specification
Material
 Insulator :Glass-Filled Thermoplastic PBT,UL94V-0 rated
 Contact :Brass or Phosphor Bronze
 Shell :T=Steel, 100u" Tin Over 50u" min Nickel.
 C=Chromated Shell

Clinch Nut: Brass, 100u" min Nickel Plated.
 Boardlock :Brass, 100u" min Nickel Plated.
 Screwlock :Brass, 100u" min Nickel Plated.
Electrical
 Contact Resistance :20 milliohms Max at 1 AMP DC.
 Insulation Resistance :1000 magohms at 500 VDC
 Dielectric Withstanding Voltage : 1000 VAC/rms 60Hz for 1 minute
 Current Rating :5 AMP
 Volatge Rating :250 VAC/rms 60Hz

RoHs Compliant

TOLERANCE UNLESS OTHERWISE SPECIFED		PROJECTION	GOLD-TEK ELECTRIC CO., LTD.	
LINEAR	ANGLE		TITLE	
X. ± 0.3	X° ± 3°	UNITS	D-SUB	
.X ± 0.25	.X° ± 1°	MM	SOLDER TYPE	
.XX ± 0.13	.XX° ±	SCALE	CPART NO.	
.XXX±	.XXX° ±	SIZE	PART NO. D*****N*S/RH	
APPD		A4	CAD NO. I268	
CHKD			F:\Drw\DSUB\DUSB-0106	
DRAW	Tao. Tao. DEC. 27. 2005		SHEET 1 OF 1	

圖面編號:GTKSD0450-B(1)