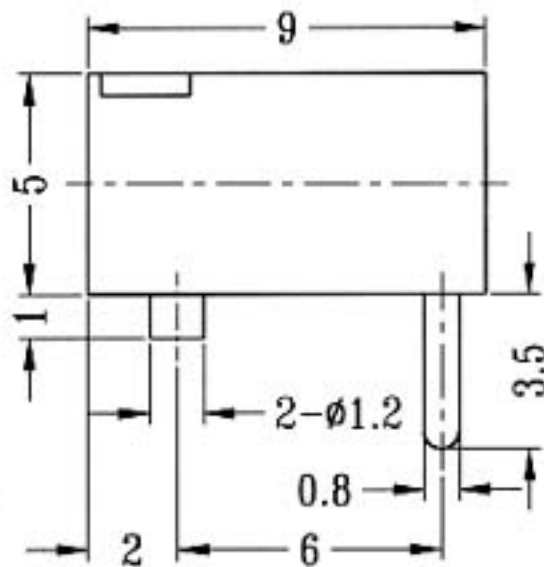
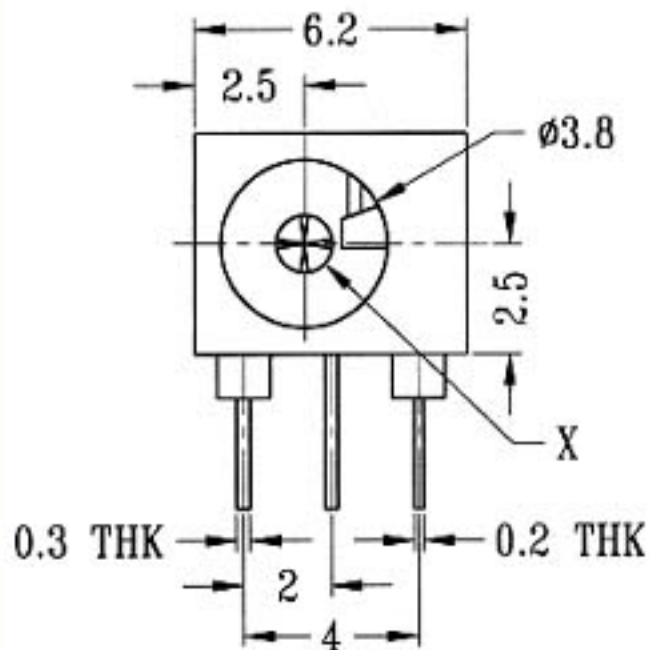


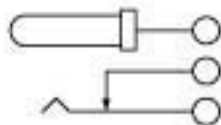
DS-213 SERIES

DIA.OF PIN`X`E=1.0mm

DIA.OF PIN`X`D=1.3mm



CIRCUIT DIAGRAM



SPECIFICATIONS

Rating: 0.3A 30V DC

