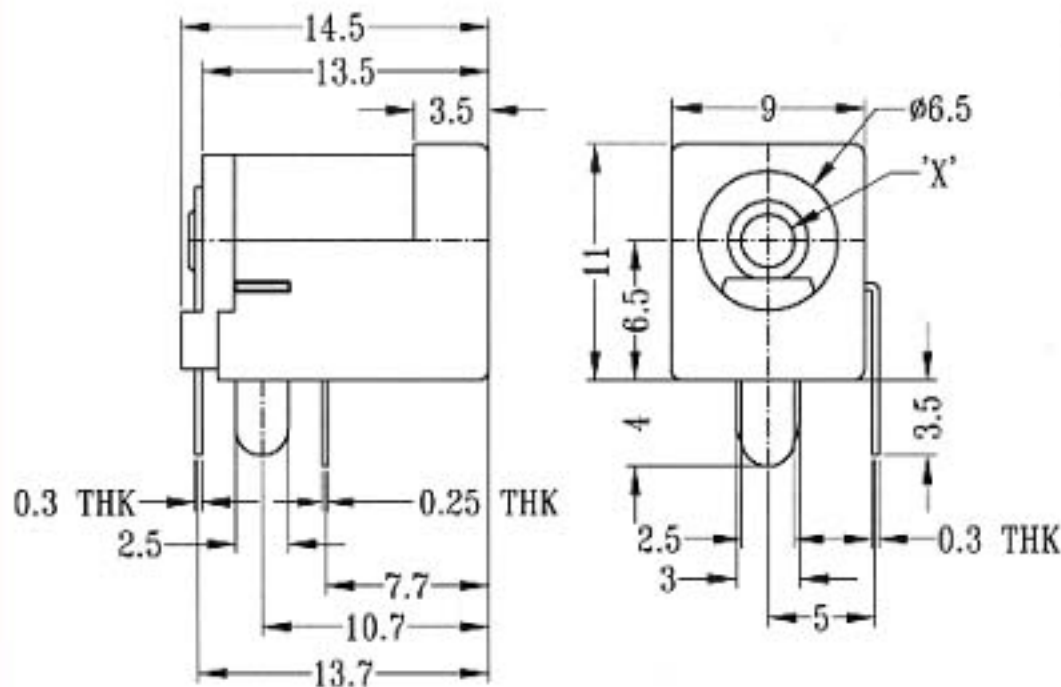
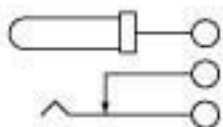


## DS-012 SERIES



DIA.OF PIN`X`A=2.5MM
DIA.OF PIN`X`B=2.0MM
DIA.OF PIN`X`C=2.35MM
DIA.OF PIN`X`G=3.0MM

### CIRCUIT DIAGRAM



### SPECIFICATIONS

Rating: 0.3A 30V DC

