



DRPL-2C



DRPL-4C

### 特点

- 大功率、10A切换功率。
- 配有多种插座可供选择。
- 多种规格，可配指示灯。
- 环保产品 RoHS REACH。

### Features

- High power, 10A switching power.
- Multiple sockets optional.
- Various specification, LED is optional.
- Green product RoHS REACH.

## 性能参数 Performance Parameters

### 触点参数 Contact parameters

触点形式 Contact form	2C, 4C
触点材料 Contact material	AgNi, AgSnO
阻性负载 Resistive load	10A@250VAC/30VDC
马达负载 Motor load	2C:1/3HP@240VAC      4C:1/6HP@240VAC
切换功率 Switch power	2500VA, 300W
接触电阻 (初始) Contact resistance(Initial)	<50mΩ
电气寿命 (1s通/1s断) Electrical life(1s on/1s off)	>1x10 <sup>5</sup> (1800 Ops/h)
机械寿命 (300次/分钟) Mechanical life(300cycles/min)	>1x10 <sup>7</sup> (18000 Ops/h)

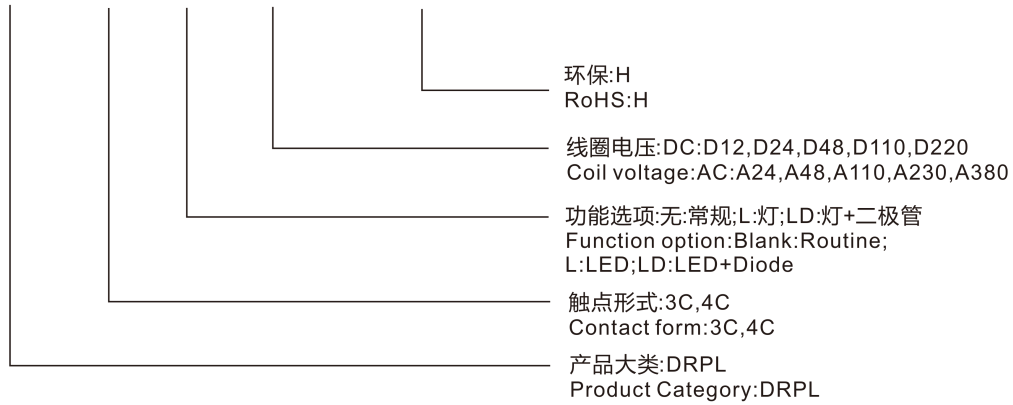
### 线圈参数 Coil parameters

额定电压 Rated voltage (DC)	DC12V	DC24V	DC48V	DC110V	DC220V	
额定电阻 Rated resistance(±10%)	2C	180Ω	640Ω	2600Ω	13000Ω	42000Ω
	4C	96Ω	360Ω	1540Ω	6800Ω	29000Ω
额定电压 Rated voltage (AC)	AC24V	AC48V	AC110V	AC230V	AC380V	
额定电阻 Rated resistance(±10%)	2C	180Ω	640Ω	4430Ω	16500Ω	42000Ω
	4C	80Ω	320Ω	1680Ω	8000Ω	20000Ω
吸合电压 Operate voltage	DC:≤75%(Rated voltage); AC:≤80% ( Rated voltage)					
释放电压 Release voltage	DC:≥10%(Rated voltage); AC:≥30% ( Rated voltage)					
最大工作电压 Max input voltage	110%(Rated voltage)					
线圈功耗 Coil power	2C:0.9W/1.2VA ; 4C:1.5W/2.5VA					
吸合时间 Operate time	<20ms					
释放时间 Release time	<20ms					

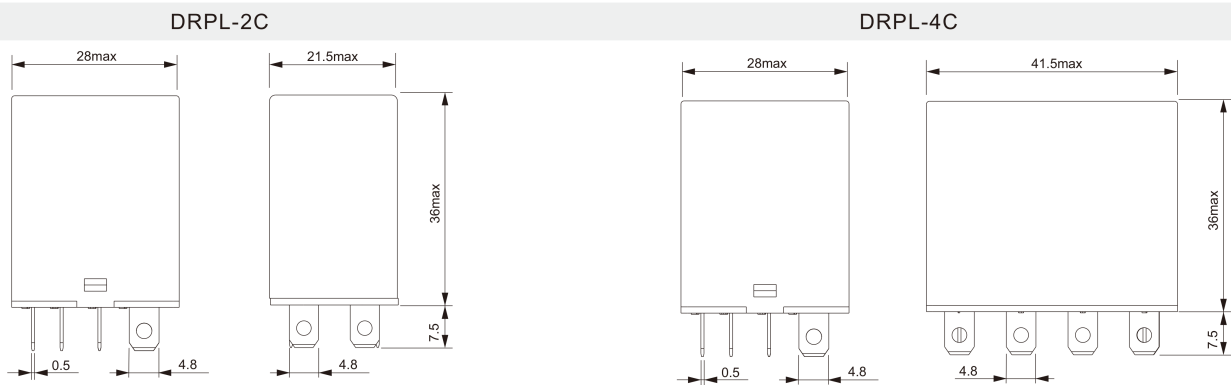
### 通用参数 Universal parameters

绝缘电阻 Insulation resistance	500MΩ(500VDC)
介质耐压 Dielectric voltage	
同极触点间 Between contacts	1000VAC/1min
异极触点间 Between contacts(different pole)	2000VAC/1min
线圈触点间 Between contacts and coil	2000VAC/1min
耐冲击 Shock withstanding	10G(Half sine wave pulse 11ms)
耐振动 Vibration withstanding	10-55Hz(Double amplitude 1.0mm)
环境温度 Ambient temperature	-25...+55°C
环境湿度 Ambient humidity	35%~85%RH
重量 Weight	35g
配套插座 Matching socket	2C:DPTF08A series ; 4C:DPTF14A series

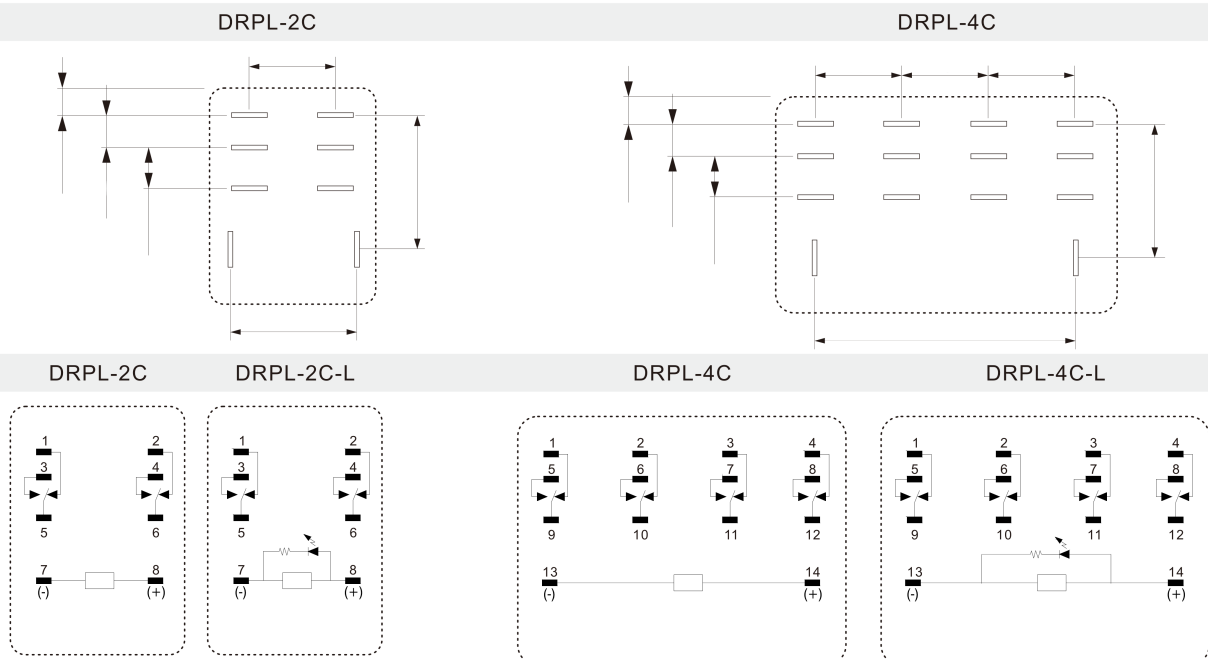
## 型号订购 Model Order

**DRPL - 4C - L - D24 - XXA (H)**


## 外形尺寸图 Overall Dimensions



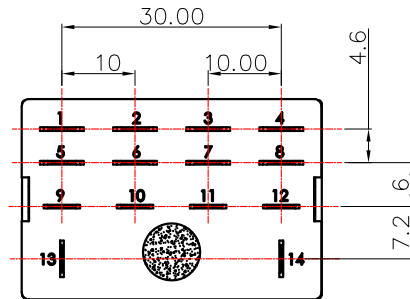
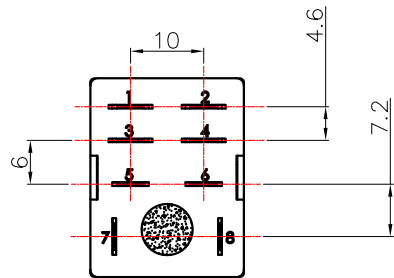
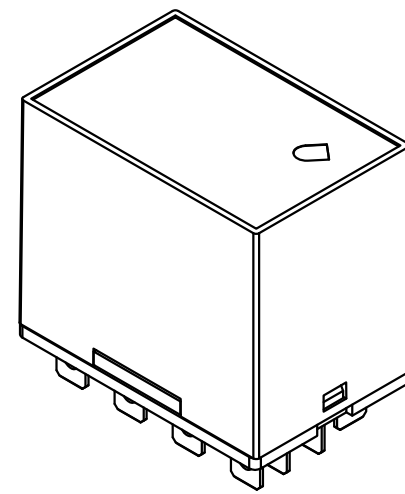
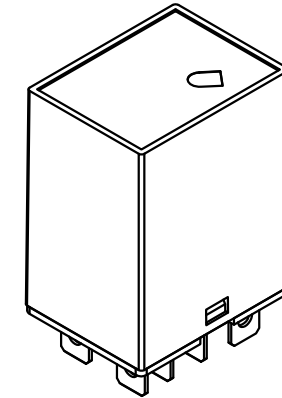
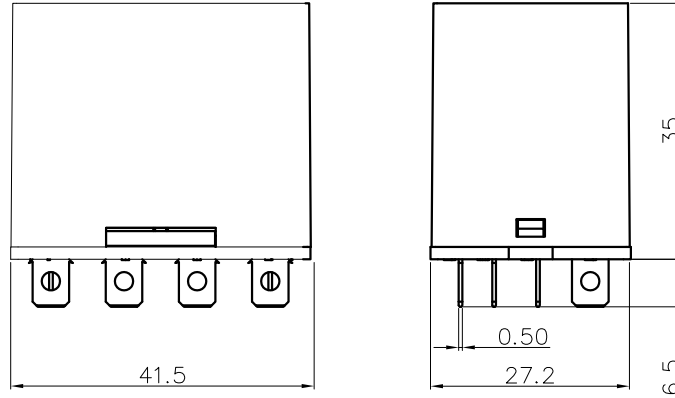
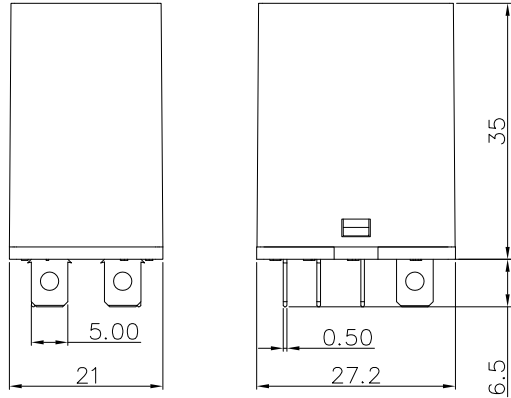
## 脚位图、接线图 Installation Diagrams, Wiring Diagrams



REVISION RECORD				
REV	ECN	DESCRIPTION	DRFT	DATE

DRPL-2C

DRPL-4C



Specifications

Rated voltage	DC24V/AV220V
Rated current	10A
Operate voltage	AC(50Hz)<80%Ue; DC<75%Ue
Release voltage	AC(50Hz)>30%Ue; DC>10%Ue
Coil power	2C: DC: 0.9W/AC: 1.2VA 4C: DC: 1.5W/AC: 3.0VA
Dielectric voltage	
Between contacts	1000VAC, 1Min (1mA)
Between contacts (different pole)	1000VAC, 1Min (1mA)
Between contacts and coil	1500VAC, 1Min (1mA)
Temperature range	- 25 °C ~ +50 °C

ITEM	NAME OF PART	MATERIAL	NOTES
DETACHED LISTS	PART NO.:	宁波高松电子有限公司 NINGBO DEGSON ELECTRICAL CO., LTD	
	APPD:	NAME: DRPL-XX-XX-XX-02AH	
	CHKD:	TITLE: CUSTOMER DRAWING	
	DRFT:		REV: _____ SHEET: 1/2
		DRAWING NO.: DRPL-E01 MM (INCH)	SCALE: 1:1