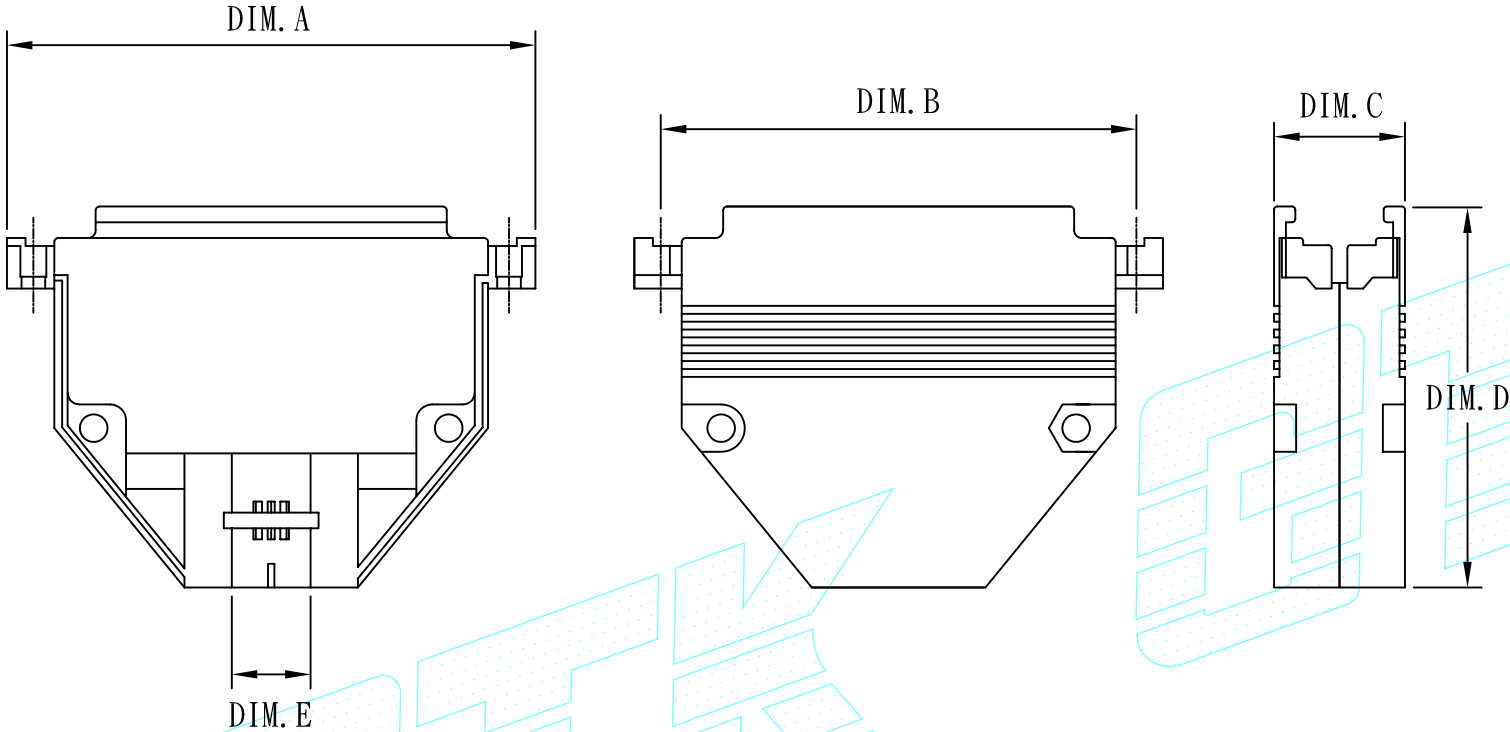


RoHS COMPLIANT

REV	ECN NO.	DESCRIPTION	DATE
B		ADD. DH782MT	APR. 13' 04
C		ADD. RoHS	JUL. 31' 06
D		MODIFY DIM	NOV. 02' 09
E		MODIFY PARTS	MAR. 19' 10
F		MODIFY P/N	JAN. 21' 11



Part No.	DIM. A	DIM. B	DIM. C	DIM. D	DIM. E (EXIT HOLE SIZE)
DH502MT-**	67.20	61.12	18.70	48.40	A0=10.0、D0=13.0、E5=14.5、G0=16.0、J0=18.0
DH372MT-**	69.00	63.50	16.00	48.60	A0=10.0、C0=12.0、E0=14.0、G0=16.0
DH252MT-**	53.50	47.04	16.20	48.70	80=8.0、A0=10.0、C0=12.0、E5=14.5
DH152MT-**	40.20	33.32	16.20	48.20	80=8.0、A0=10.0、C0=12.0
DH092MT-**	31.30	24.99	15.60	47.30	40=4.0、60=6.0、65=6.5、70=7.0、75=7.5、80=8.0、85=8.5、90=9.0

NOTE:
 1. MATERIAL: ZINC ALLOY
 2. FINISHED: CHROMATE PLATED

E型扣 (FOR DH152MT-A0 & DH252MT-A0 TYPE ONLY)		1
		2
		2
		2
PARTS		PCS

TOLERANCE UNLESS OTHERWISE SPECIFIED		PROJECTION	GOLD-TEK ELECTRIC CO., LTD.	
LINEAR	ANGLE		TITLE	PART NO.
X. ± 0.50	X° ±	UNITS	D-SUB METAL COVER	DH**2MT-**
.X ± 0.40	.X° ±	MM	02 TYPE	CAD NO. I226
.XX ± 0.30	.XX° ±	SCALE	CPART NO.	F:\Drw\MP\MP-0155
.XXX±	.XXX° ±	SIZE		SHEET 1 OF 1
APPD		A4		
CHKD				
DRAW	Z.	JAM. 21' 2011		

圖面編號:GTKSD1088-F(1)