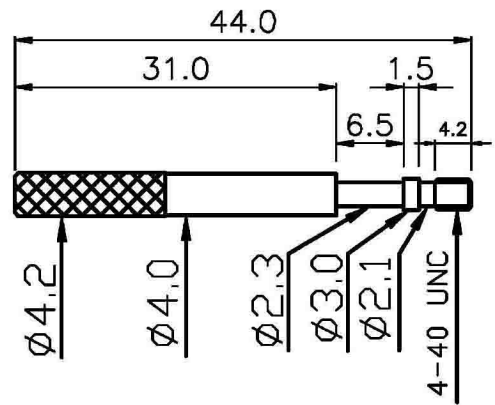


RoHS COMPLIANT

REV	ECN NO.	DESCRIPTION	DATE
A		RELEASE	OCT. 03'02
B		MODIFY C1	OCT. 03'02
C		ADD. MATERIAL	JAN. 21'03
D		MODIFY P/N	JUL. 21'11
E		REDRAW	OCT. 02'15

T=LONG SCREW (長螺絲)

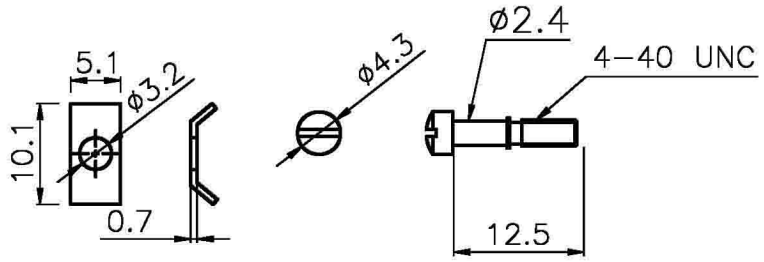
MATERIAL:
INSULATOR : ABS UL94HB
SCREW: STEEL



DH251 $\frac{*}{a}$ $\frac{*}{b}$ $\frac{-**}{c}$

- a. INSULATOR FINISH:
P=ABS PLASTIC.
C=CHROMATE PLATED.
- b. PARTS OPTION:
T=LONG SCREWS.
S=SHORT SCREWS.
- c. INSULATOR COLOR:
BLANK=GREY.(STANDARD)
BK=BLACK.

S=SHORT SCREW (短螺絲)



TOLERANCE UNLESS OTHERWISE SPECIFIED		PROJECTION
LINEAR	ANGLE	
.X ± 0.50	X° ±	UNITS
.X ± 0.40	.X° ±	MM
.XX ± 0.30	.XX° ±	SCALE
.XXX±	.XXX° ±	SIZE
APPD		A4
CHKD		
DRAW	Z	OCT. 02'2015

		GOLD-TEK ELECTRIC CO., LTD.	
TITLE D-SUB 25PIN COVER TYPE 1		PART NO. DH251**(-**)	
CPART NO.		CAD NO. I0147A	SHEET 1 OF 1

圖面編號:GTKSD0098-E(1)