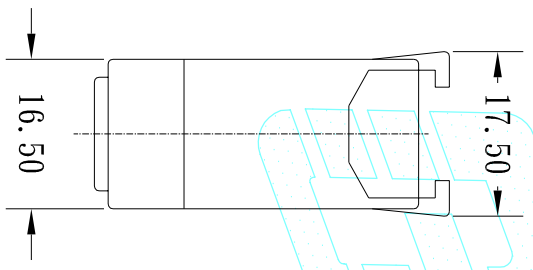
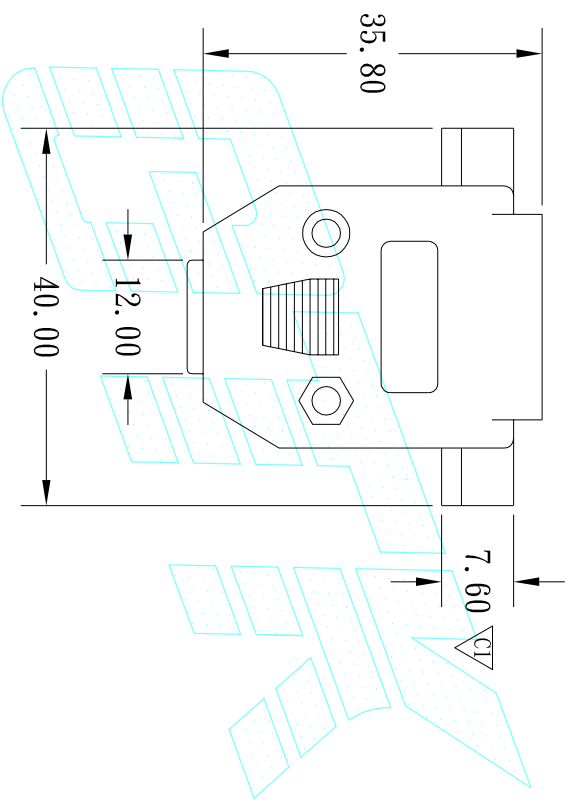
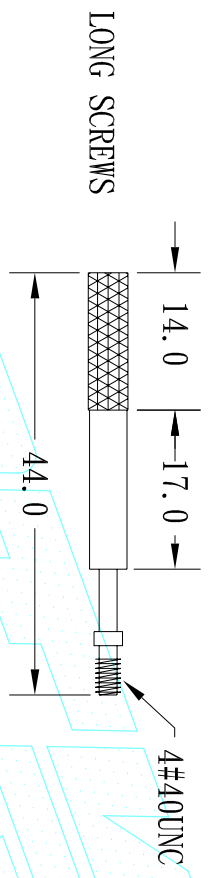
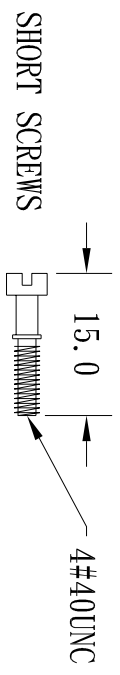
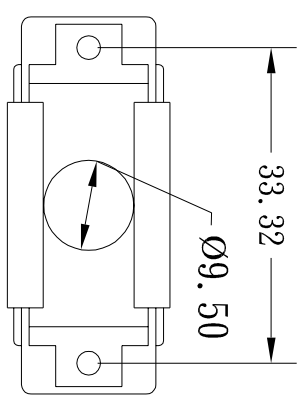


REV	ECN NO.	DESCRIPTION	DATE
A	GTKSD0091	RELEASE	DEC. 20' 02
B		MODIFY	SFP. 26' 02
C		ADD UL	JAN. 21' 03



- NOTE:
- COVER MATERIAL: A. B. S.  
P=PLASTIC UL94HB  
C=CHROMATED PLATED UL94V-0
  - SCREWS TYPE: T=LONG SCREWS  
S=SHORT SCREWS
  - DIMENSIONS MARKED TO BE CHECKED BY GTK QC

TOLERANCE UNLESS OTHERWISE SPECIFIED		PROJECTION
LINEAR	ANGLE	
X. ±	X°. ±	
.X ±	.X°. ±	
.XX ±	.XX°. ±	
.XXX ±	.XXX°. ±	
APPD		SCALE
CHKD		SIZE
DRAW	Z.	JAN. 21' 2003

		<b>GOLD-TEK</b> ELECTRIC CO., LTD.	
TITLE		PART NO.	
D-SUB 15P IN COVER 01 TYPE		DH151**	
CPART NO.		CAD NO. 1147	SHEET
F:\Dfwm\MP\MP-0144			1 OF 1
圖面編號:GTKSD0091-C(1)			