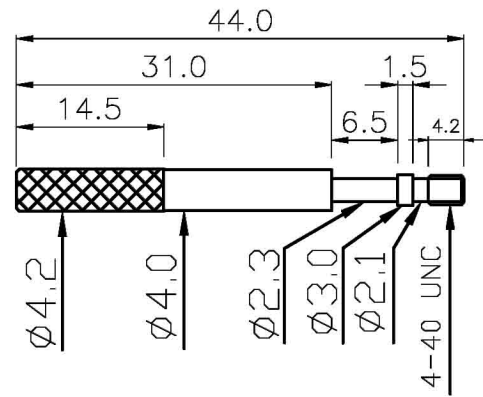


RoHS COMPLIANT

REV	ECN NO.	DESCRIPTION	DATE
F		MODIFY P/N	JUL. 21'11
G		REDRAW	OCT. 05'15

MATERIAL:
INSULATOR : ABS UL94HB
SCREW: STEEL

T=LONG SCREW (長螺絲)



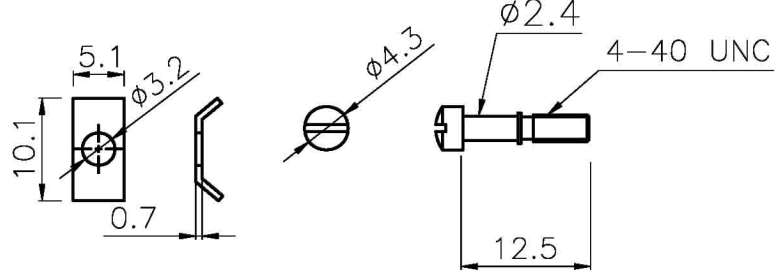
DH151 $\frac{*}{a} \frac{*}{b} - \frac{**}{c}$

a.INSULATOR FINISH:
P=ABS PLASTIC.
C=CHROMATE PLATED.

b.PARTS OPTION:
T=LONG SCREWS.
S=SHORT SCREWS.

c.INSULATOR COLOR:
BLANK=GREY.(STANDARD)
BK=BLACK.

S=SHORT SCREW (短螺絲)



TOLERANCE UNLESS OTHERWISE SPECIFIED		PROJECTION
LINEAR	ANGLE	
X. ± 0.50	X° ±	UNITS
.X ± 0.40	.X° ±	MM
.XX ± 0.30	.XX° ±	SCALE
.XXX ±	.XXX° ±	SIZE
APPD		A4
CHKD		
DRAW	Z	OCT. 05'2015



GOLD-TEK ELECTRIC CO., LTD.

TITLE
D-SUB COVER 15PIN
TYPE 1
CPART NO.

PART NO.
DH151(-**)**

CAD NO. I0147A SHEET
F:\PDF\MP\MP-0144 1 OF 1

圖面編號:GTKSD0091-G(1)