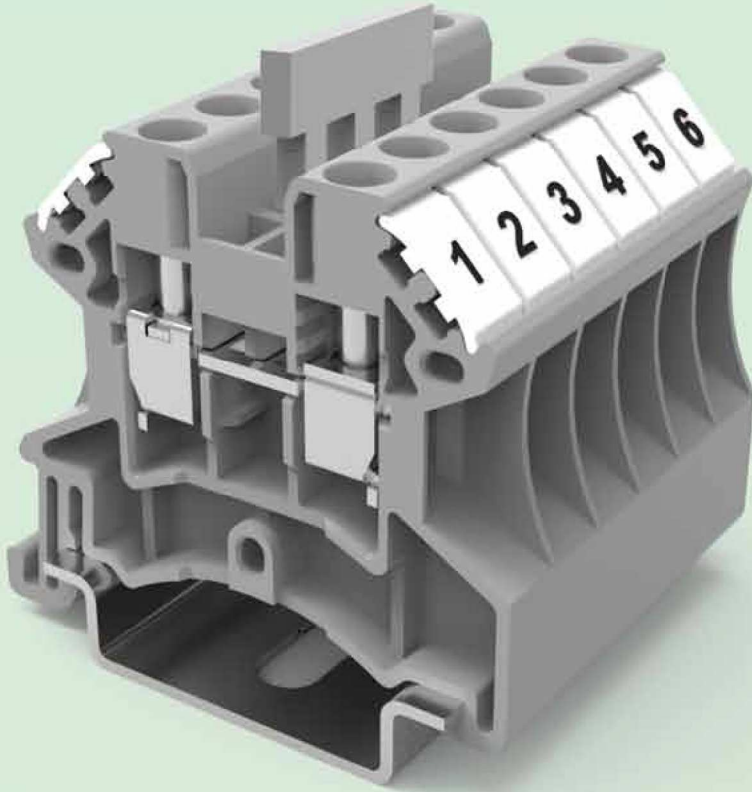
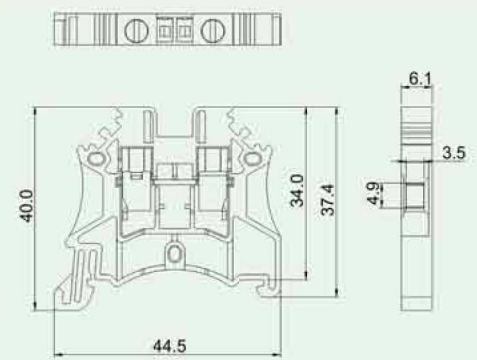


DC4


- 紧凑型结构设计,可固定于NS35 轨道;
- 载流体采用紫铜材料,保证良好的电气性能;
- 螺钉连接结构,接线牢固;
- 插入式桥接附件,提供02P-10P多种选择;
- 最大线径: 4mm²。
- Compact Structure Design,Fixed on NS35 ;
- Copper Current Carrier,Fine Electrical Performance ;
- Connecting Structure with Screw,Secure Connecting ;
- Plug-in Jumping Accessories; 02P-10P Available ;
- Max Wire Diameter:4mm²。


技术参数 Technical Data

APPROVAL: CE

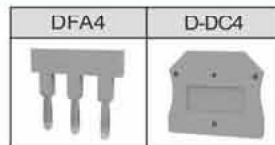
型号 Model	线径 Wire range	线数 Poles	IEC60947技术参数(IEC60947datasheet)		UL1059技术参数(UL1059 datasheet)	
			电压(V) Rated voltage	电流(A) Rated current	电压(V) Rated voltage	电流(A) Rated current
DC4	0.2-4mm ² /22-10AWG	01P	1000	32	600	30

应用行业 Application

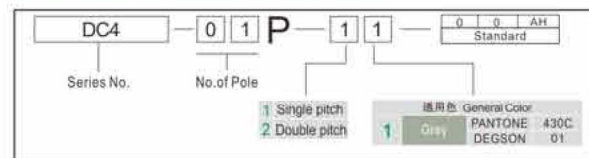
 工业自动化、机械、电梯、电力电气等行业。
 Industrial automation, machinery, elevator, electric power etc.

产品包装方式 Packing

Product model	Pcs./Pkt.
DC4	25

附件 Accessory

型号对照 Cross Reference

DEGSON	同行1/ Competitor1	同行2/ Competitor2
DC4	TB4	DK4

产品订货 How to order


REVISION RECORD

REV	ECN	DESCRIPTION	DRFT	DATE
-----	-----	-------------	------	------

NOTES1:

UL Standard

1. Rated voltage/current : 600V / 30A
2. Withstanding voltage : AC2200V/1Min.
3. Torque value : M3 , 4.43Lb.in
4. Wire range : 22~10AWG

IEC Standard

1. Pollution degree	3
Overvoltage category	III
Rate impulse voltage(KV)	8KV
Rate voltage(V)	1000V
Rate current(A)	32A

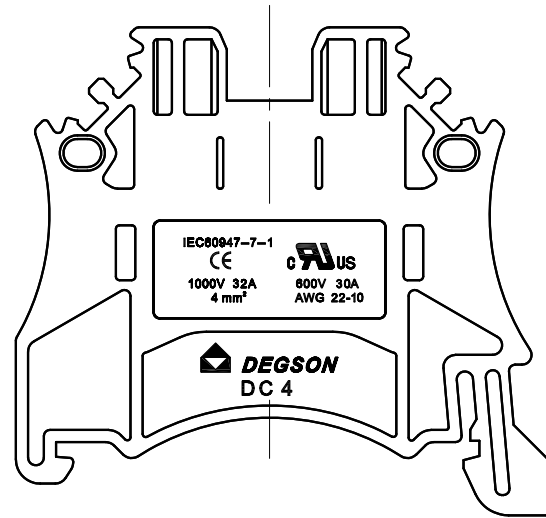
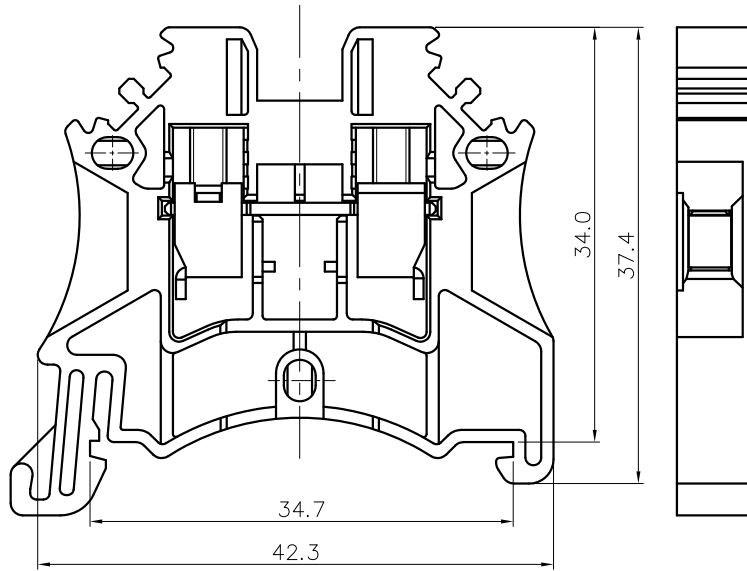
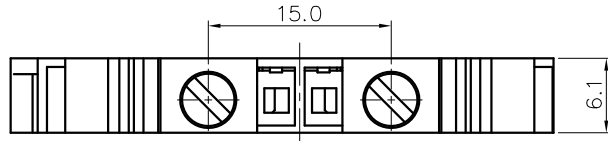
2. Torque value : M3 , 0.5N·m
3. Wire range : 0.5~4mm²

NOTES2:

1. Dimension shall be interpreted per ASME Y14.5-2009
2. Pitch : 6.1mm, Poles : N=01P
3. Stripping length : 8~9mm
4. Operating temperature: -40°C~+105°C
5. Undimensioned tolerances:

Pitch Range In mm		Nominal Dimension Range In mm						- / □	
To	Over	To	Over	To	Over	To	Over		
6	10	10	24	30	60	100	150	0.1/10	
±0.15	±0.20	±0.30	±0.30	±0.50	±0.70	±1.00	±1.30	±2'	

6. RoHS Compliance



DC4 - 01P - 1Y - 00A (H)

(Series No.) (Poles) (Single Pitch) (Color):

(RoHS)
00A-(Standard)
1.(Grey)
2.(Blue)
3.(Black)
4.(Green)
5.(Orange)
6.(Red)
7.(Transparent)
8.(Yellow)
9.(White)

DETACHED LISTS	PART NO.:	/			
	APPD:	/			
	CHKD:	/			
	DRFT:	/			
	THIRD ANGLE PROJECTION				
NAME:		宁波高松电子有限公司 DEGSON ® NINGBO DEGSON ELECTRICAL CO., LTD			
TITLE:		CUSTOMER DRAWING		REV	D0
DRAWING NO.:		/		SHEET	1/1
MM (INCH)		DO NOT SCALE DRAWING		SCALE	1:1