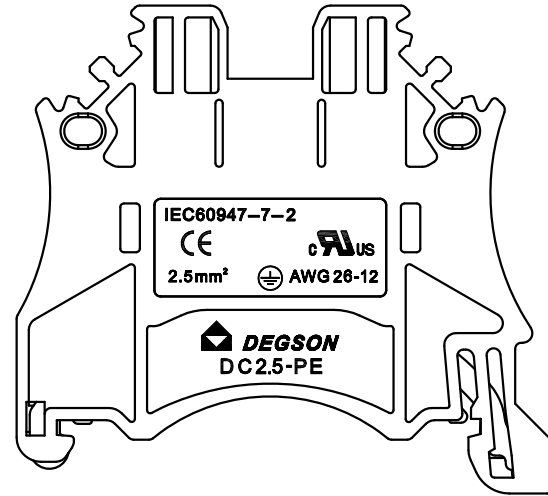
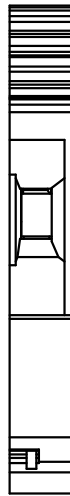
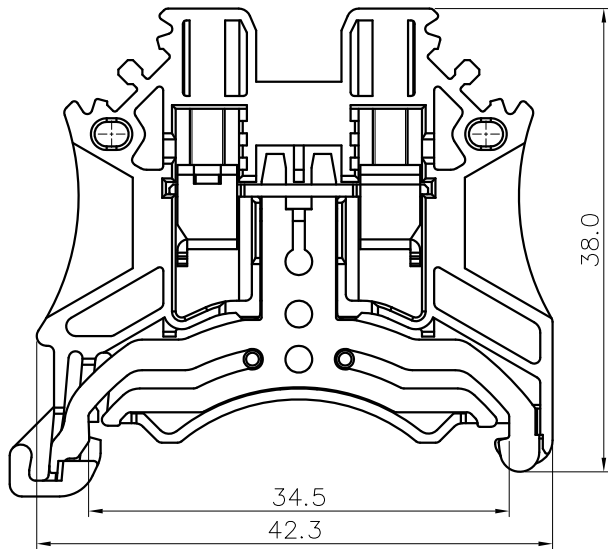
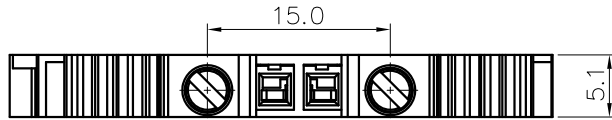


REVISION RECORD

REV	ECN	DESCRIPTION	JRFT	DATE
-----	-----	-------------	------	------



NOTES1:

- UL Standard
- 1.Torque value : M2.5 , 3.54Lb.in
- 2.Wire range : 26~12AWG

IEC Standard

- 1.Torque value : M2.5 , 0.4N·m
- 2.Wire range : 0.2~2.5mm²

NOTES2:

- 1.Dimension shall be interpreted per ASME Y14.5-2009
- 2.Pitch : 5.1mm, Poles : N=01P
- 3.Stripping length : 8~9mm
- 4.Operating temperature: -40°C~+105°C
- 5.Undimensioned tolerances:

Pitch Range In mm	Nominal Dimension Range In mm						0.1/10	
	Over 6 TO 10	Over 10 TO 24	Over 30 TO 30	Over 60 TO 60	Over 100 TO 150	Over 150		
±0.15	±0.20	±0.30	±0.30	±0.50	±0.70	±1.00	±1.30	±2*

6.RoHS Compliance

DC2.5-PE - 01P - 1C - 00A (H)

(Series No.) (Poles) (Single Pitch) (Color):

- 1.(Grey)
- 2.(Blue)
- 3.(Black)
- 4.(Green)
- 5.(Orange)
- 6.(Red)
- 7.(Transparent)
- 8.(Yellow)
- 9.(White)
- C.(Yellow and green)

(RoHS)
-00A-(Standard)

/	宁波高松电子有限公司 NINGBO DEGSON ELECTRICAL CO., LTD		
/	DC2.5-PE-01P-1C-00A(H)		
/	CUSTOMER DRAWING		D0
/			1/1
+			1:1