	SPECIFICATION	Model No.	CRT-591-M
		Date	2013/07/02
	Card Issuing Machine	Ver.	1.0
		Page	1/12

## CRT-591-MR01-EBNJ SPECIFICATION




CREATOR (CHINA) TECH CO., LTD.

Add: 2F, M-10 Building, Center Area, Hi-tech Industrial Park, Shenzhen, China

•TEL:+86 755 26710691      FAX:+86 755 26710105

EMAIL: [sales@china-creator.com](mailto:sales@china-creator.com)


Http://www.china-creator.com

	SPECIFICATION	Model No.	CRT-591-M
		Date	2013/07/02
	Card Issuing Machine	Ver.	1.0
		Page	2/12

REVISION HISTORY RECORD

Version	Date	Content
1.0	2013.07.02	First time release

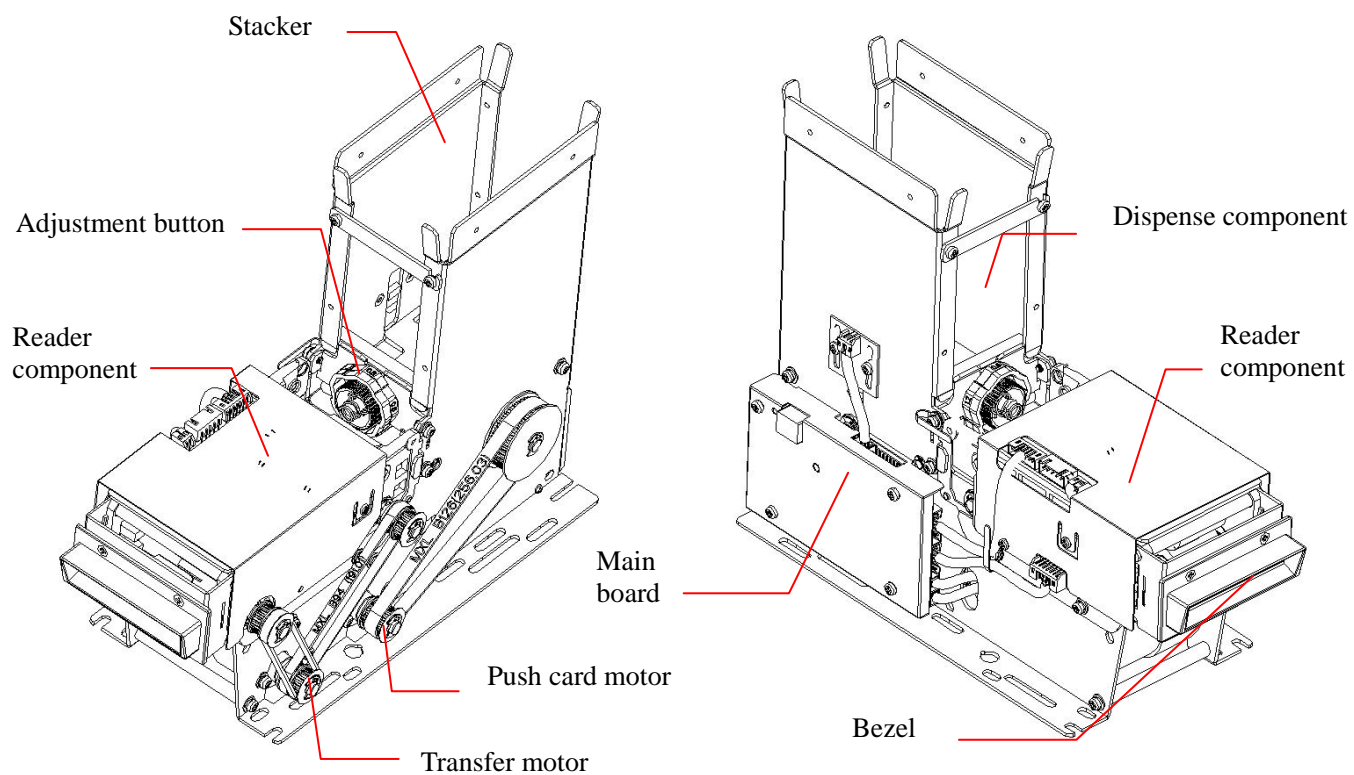
CREATOR

	SPECIFICATION	Model No.	CRT-591-M
		Date	2013/07/02
	Card Issuing Machine	Ver.	1.0
		Page	3/12


● Thanks for selecting products of Creator-China

Please read the manual carefully before using

Main structure:

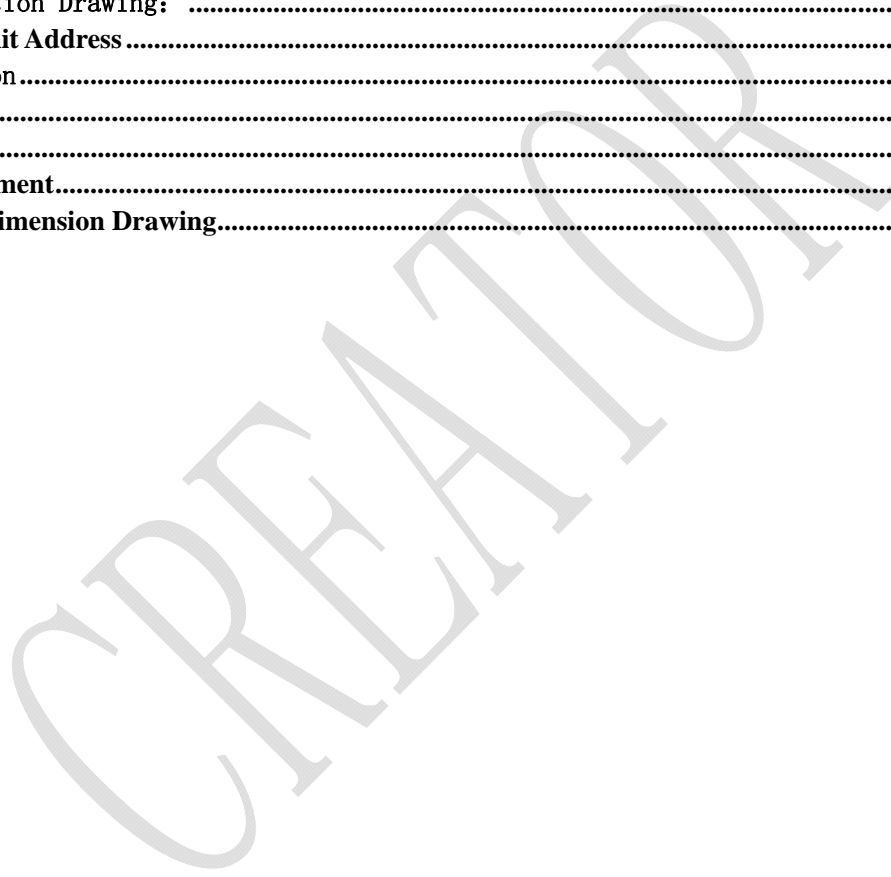



**Warn: Over DC 30V is prohibited, it may cause device damage!!!**

	SPECIFICATION	Model No.	CRT-591-M
		Date	2013/07/02
	Card Issuing Machine	Ver.	1.0
		Page	4/12

## CONTENT

1. OVERVIEW .....	5
2. Technical Specification .....	5
3. Main Function: .....	6
4. Product Model Specification.....	6
5. Interface instruction:.....	7
6. Photoelectric Sensor Specification: .....	8
7. Card Stop Position Drawing: .....	8
8. DIP Setting of Unit Address .....	9
9. Card instruction.....	10
10. Maintenance.....	10
11. Cautions.....	11
12. Reference Document.....	11
13. Structure and Dimension Drawing.....	12



	SPECIFICATION	Model No.	CRT-591-M
		Date	2013/07/02
	Card Issuing Machine	Ver.	1.0
		Page	5/12


## 1. OVERVIEW

This product is a card issuing machine with IC/RF card reader, has the following features:

- 1) With the functions of card dispense, retract, accept from front, prohibit from front.
- 2) Card-Empty, Pre-card empty detection with audible alarm.
- 3) Two method of retract card: Error card bin and path (By removing the bars on the bottom)
- 4) RS-232C communication method, support multi-communication.
- 5) With RF/IC card read & write, one SIM socket, support SIM card read & write;
- 6) One of the most compact card issuing machines with IC/RF card module.

## 2. Technical Specification

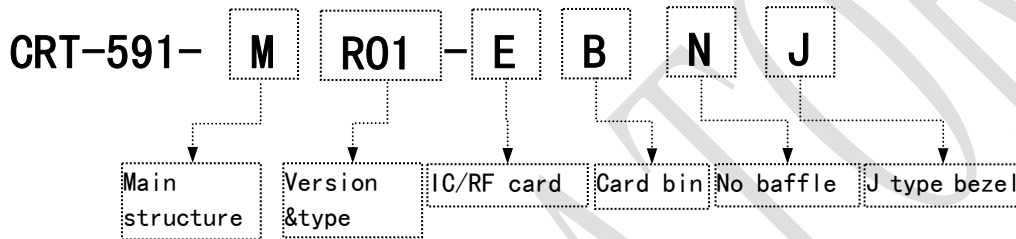
<u>ITEM</u>	<u>Specification</u>
Power Supply	DC 24V±5%
Current Consumption	Static current: 40mA    Normal work current: 600mA    Peak current: 2.0A
Communication Interface	RS-232C, support multi-communication
Card read&write Type	Serial port support IC &RF card Read & Write
Card Dimensions	Width:53.92 ~ 54.18 mm , Lenth:85.47 ~ 85.90 mm, Thickness:0.76±0.08mm ( be available for Braille card)
Weight	About 2.0 Kg (without accessories and package)
Set Dimension	Refer to structure and dimension drawings
Card loading	Max Stacker capability 150 pcs (0.76mm card) (Extend is available) Error card bin: Max capability 25±4pcs (0.76mm card)
Card pre-empty detect	7-50±2pcs (Ex-work standard: 25±2pcs)
Environment	Operation: -10℃ ~ 60℃, 0~90 % RH (Without Condensing) Storage: -25℃ ~ 80℃, 0~95 % RH (Without Condensing)
MTBF	≥100,000 hr (only electric parts) , note: 250 times/day, 25days/month, 300hr/month
IC Card standard	Compliant ISO7816 standard (AT24C01、24C02、.....、24C256; SLE4442、SLE4428; CPU T=0/T=1)
RF Card standars	Compliant ISO14443-3(Mifare one: S50、S70、UL etc) Compliant ISO14443-4 (TYPE A CPU: Mifare plus, Mifare desfire etc) Compliant ISO14443-4 TYPE B CPU
SIM Card standard	Compliant ISO7816 standard CPU Card T=0/T=1
On-line download	Support On Line ISP Download
RoHS standard	Compliant RoHS standard

	SPECIFICATION	Model No.	CRT-591-M
		Date	2013/07/02
	Card Issuing Machine	Ver.	1.0
		Page	6/12

### 3. Main Function:

Faulty Ration in read & write	IC card: Card read&write 1,000 times, error is less than one time (except Q card) (note: IC card is standard card)
Faulty ratio in dispensing	Dispense standard card 1,000 times,, error is less than 1 time (note: standard card, except manipulating)
Dispense speed	About 14.8cm/s
Life cycle	IC contact and press device: 500,000 cycles Min Transmission: 1000,000 times Min (card from stacker to card holding position or card error bin equal one time)


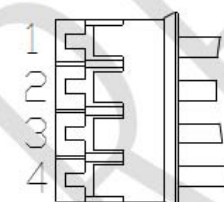
### 4. Product Model Specification




#### 4.1 Accessory Description:

Name	Material number	Qty	Remark
571N block parts	C17-571-006	1	
571N card box	C30-571-045	1	With side wall
4PIN power cable	L14-333-153	1	4PIN head, length 1.5m
RS232 cable	L10-006-163	1	3PIN head, length 1.6m

#### 4.2 4PIN power supply cable, shown as below figure:

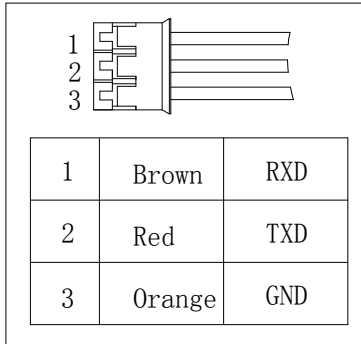



1	红色 (red)	24V
2	黄色 (yellow)	24V
3	黑色 (black)	GND
4	黑色 (black)	GND

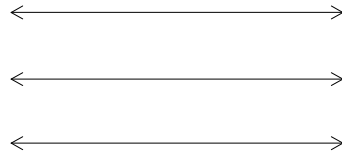
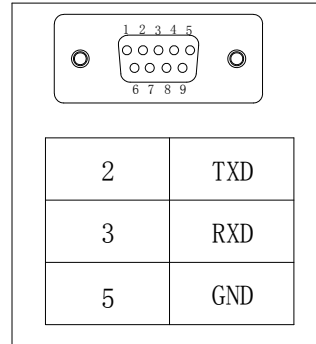
	SPECIFICATION	Model No.	CRT-591-M
		Date	2013/07/02
	Card Issuing Machine	Ver.	1.0
		Page	7/12

4.3 RS232 serial port cable

RS232 CABLE



PC DP9PIN Socket



5. Interface instruction:

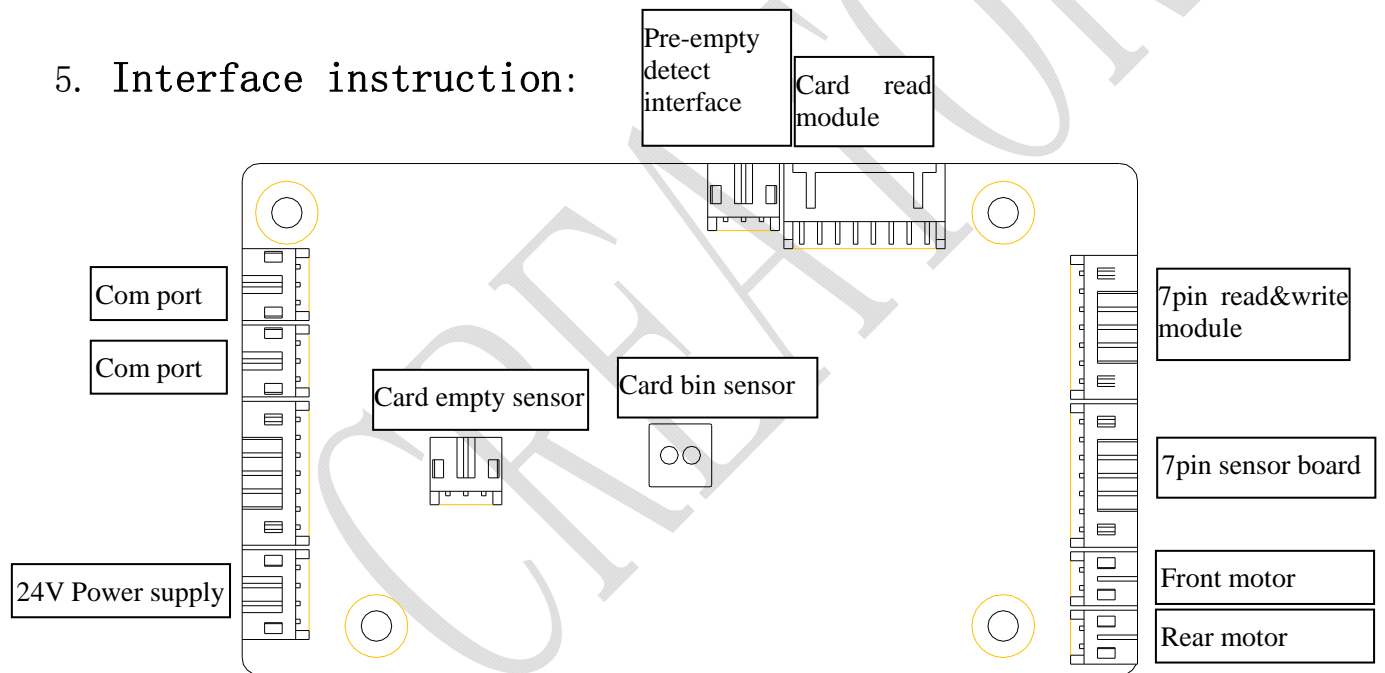

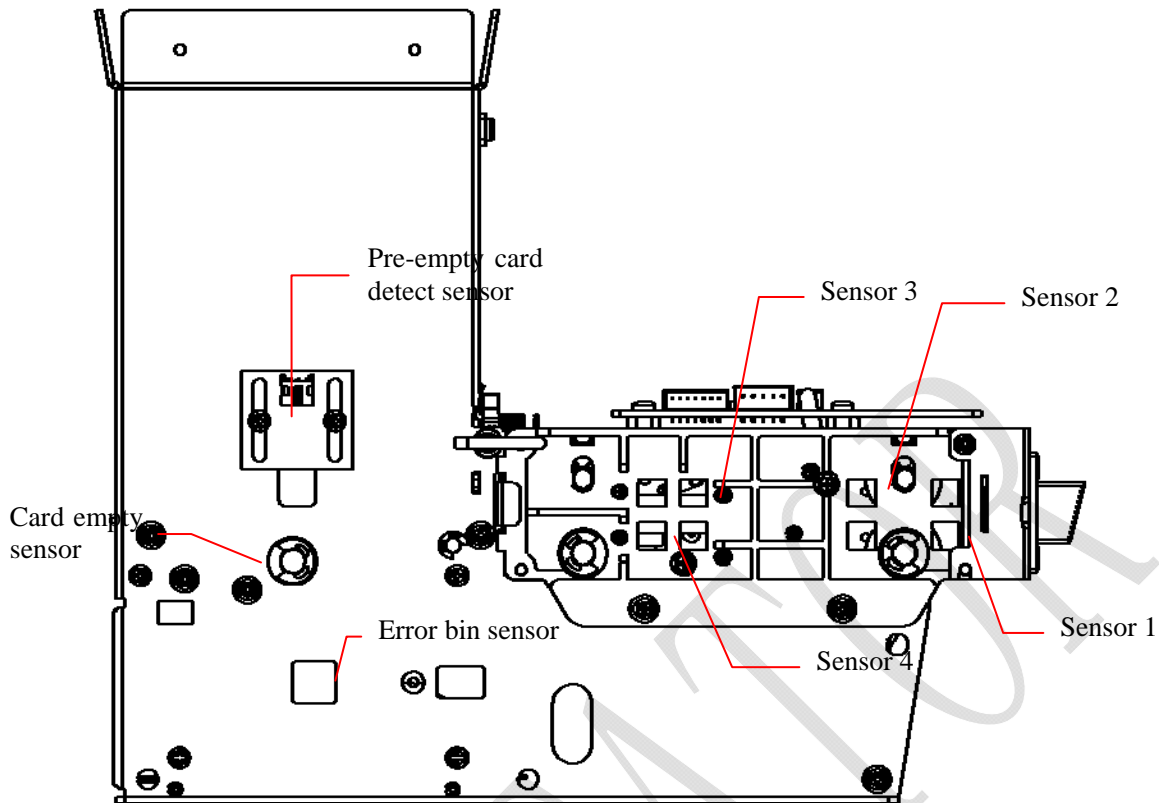


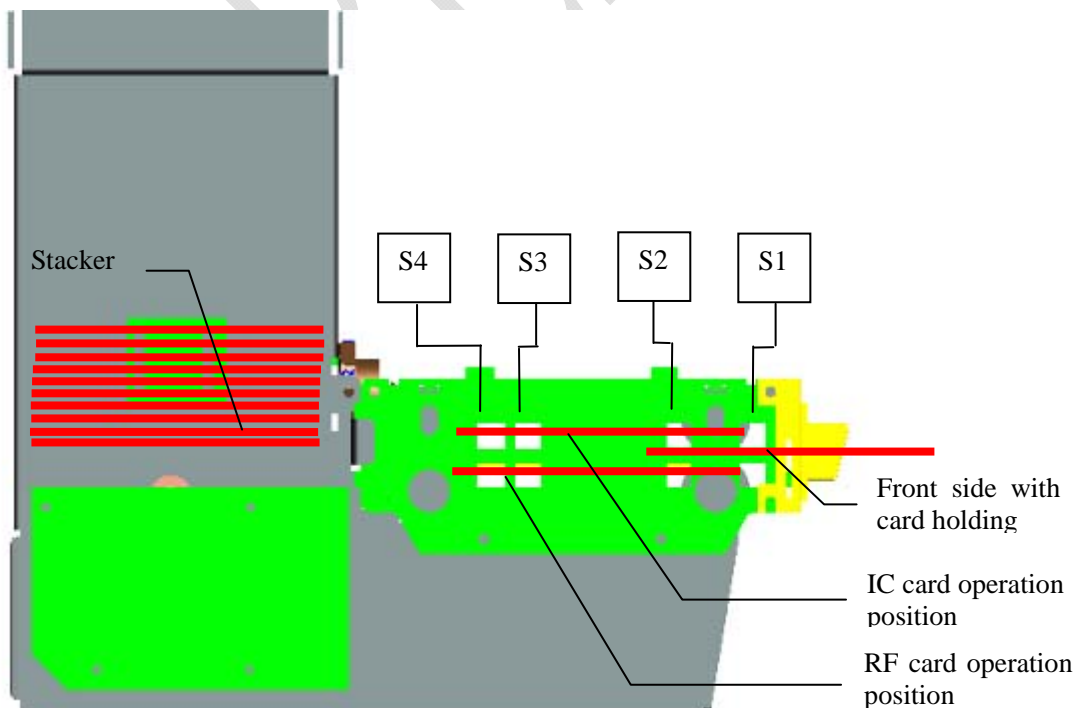
Figure 1 CRT-591-M main board interface

	SPECIFICATION	Model No.	CRT-591-M
		Date	2013/07/02
	Card Issuing Machine	Ver.	1.0
		Page	8/12


## 6. Photoelectric Sensor Specification:



## 7. Card Stop Position Drawing:





	SPECIFICATION	Model No.	CRT-591-M
		Date	2013/07/02
	Card Issuing Machine	Ver.	1.0
		Page	9/12


## 8. DIP Setting of Unit Address

The following table shows the Dip setting of Unit Address.

Serial	DIP switch				ADDR
	4	3	2	1	
0#	ON	ON	ON	ON	00H
1#	ON	ON	ON	OFF	01H
2#	ON	ON	OFF	ON	02H
3#	ON	ON	OFF	OFF	03H
4#	ON	OFF	ON	ON	04H
5#	ON	OFF	ON	OFF	05H
6#	ON	OFF	OFF	ON	06H
7#	ON	OFF	OFF	OFF	07H
8#	OFF	ON	ON	ON	08H
9#	OFF	ON	ON	OFF	09H
10#	OFF	ON	OFF	ON	0AH
11#	OFF	ON	OFF	OFF	0BH
12#	OFF	OFF	ON	ON	0CH
13#	OFF	OFF	ON	OFF	0DH
14#	OFF	OFF	OFF	ON	0EH
15#	OFF	OFF	OFF	OFF	0FH

Ex-work setting default address for single unit mode: 00H

Please set unique address to each device in multi communication, controlling each device by using corresponding address text from communication package.

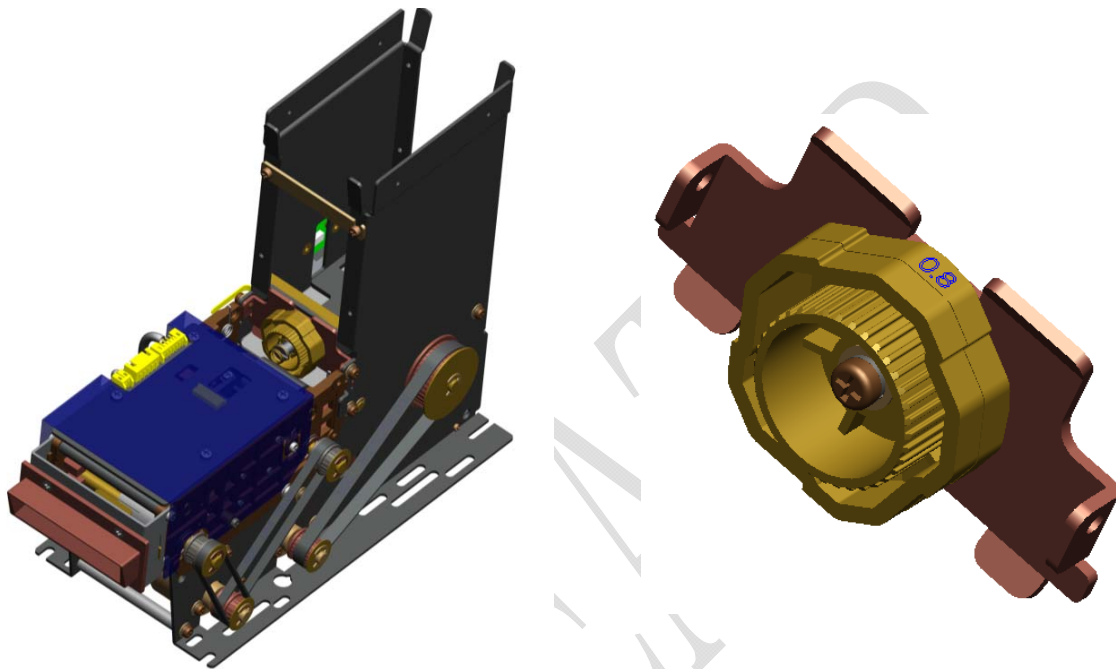
	SPECIFICATION	Model No.	CRT-591-M
		Date	2013/07/02
	Card Issuing Machine	Ver.	1.0
		Page	10/12

## 9. Card instruction

Default card thickness set in Ex-work is 0.8mm, range is : 0.71~1.0.

Note:

- (1) MTBF in above table is based on standard card testing;
- (2) Ignore the thickness of embossed card if emboss is complied with ISO standard. And embossment is always on the top and keeps to right of stacker (the shutter is on the forth) when issuing embossed cards.




## 10. Maintenance

After a long time usage, factors such as the machine's transportation mechanism wear and tear, dust on sensor, magnetic head, IC card contact will influence the performance of the machine, and hence it should be maintained on a constant basis.

Detail maintenance instruction is as following:

- ① Use a cleaning card or a cloth with alcohol to clean the card dispensing mechanism and card read/write mechanism. (To open the card read/write components please refer to chapter 12 "Cautious")
- ② Pick out greasy card and deformed card, and clean the greasy card with soft cloth tapped cleaning alcohol. If the deformed card is unable to restore, it is necessary to replace this deformed card with normal one.
- ③ Keep card pre-empty sensor clean by soft cloth with cleaning alcohol.
- ④ Sensor maintenance: Use the sensor status inquiry command to examine sensors' status. When the reader is running under good condition, all its 10 sensor groups' status are 'OFF'; If any

	SPECIFICATION	Model No.	CRT-591-M
		Date	2013/07/02
	Card Issuing Machine	Ver.	1.0
		Page	11/12

sensor group's status is 'ON', it is possible to be covered by dust; You can try to clean the sensor, especially this sensor group.

⑤ IC card contact maintenance: Clean the IC card contact if there is any dirty on them.

⑥ Transportation roll maintenance: Transportation roll should be check regularly and clean by cleaning alcohol if there is any dirty.

## 11. Cautions


- 1) Before maintenances, make sure the power connection is cut off in order to avoid machine damage.
- 2) Pay attention to DIP specification, wrong DIP number will bring about no work and unknown status.
- 3) Prohibit warm plug in and out of connector. Warm plug will cause circuit damage.
- 4) Keep machine non-greasy, oily cohesive will deadly influence the performance of machine.
- 5) Pay attention to the IC card direction in stack. (See following picture)



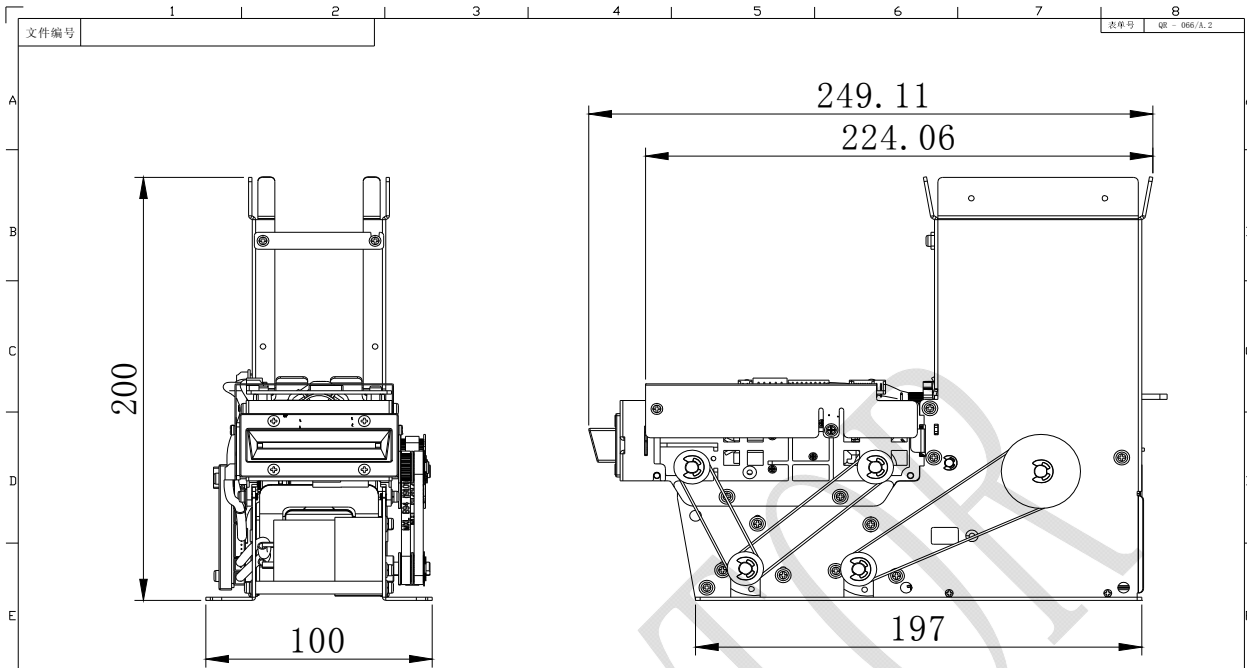
- 6) Pay attention to the power off sequence, cut off power first and then cut off communication cable

## 12. Reference Document

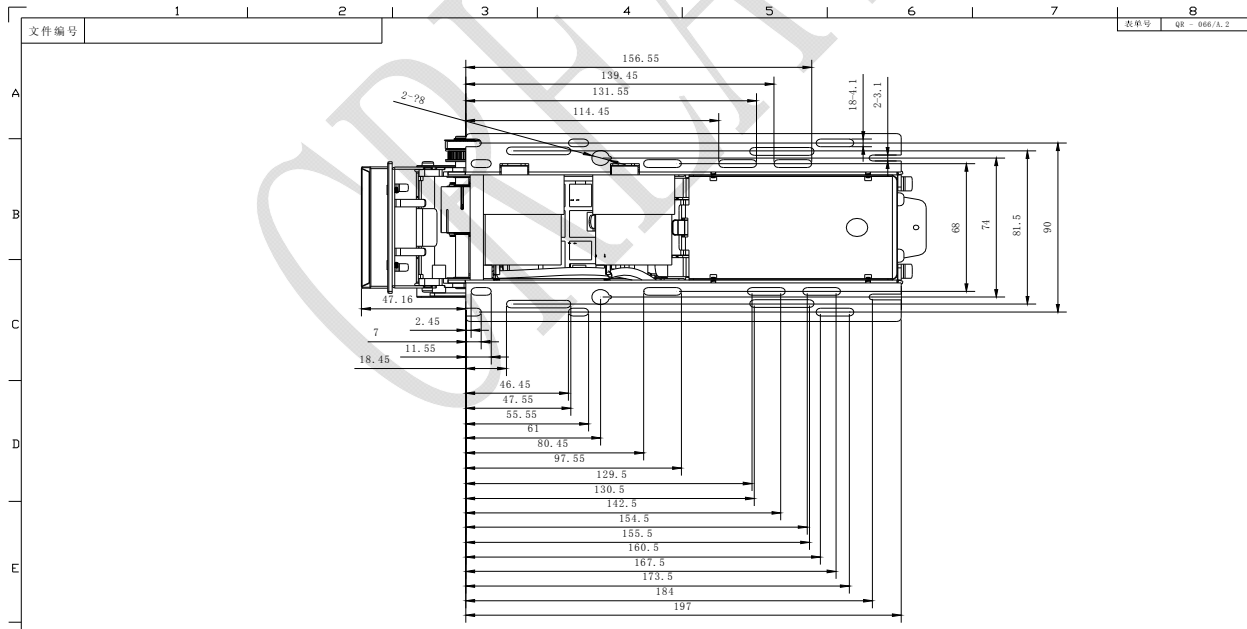
- ① DLL
- ② DLL Specification and example
- ③ Communication protocol: : CRT-591-M001


	SPECIFICATION	Model No.	CRT-591-M
		Date	2013/07/02
	Card Issuing Machine	Ver.	1.0
		Page	12/12

### 13. Structure and Dimension Drawing



文件编号		表序号		QR-066/A.2	
△		无特殊说明尺寸公差执行方法: 1.一般公差:按GB/T1804-2008 2.形位公差:按GB/T1182-2008 3.表面粗糙度:按GB/T10613-2008 4.未注公差:按GB/T1804-2008	一般公差	设计	校对
△		日期	图样标记	数量	比例
△		零件代码	零件名称	材料	工艺
△		产品名称	CRT-571N	电话	0755-26710345
△		传真	0755-26710105	深圳市创自技术有限公司	CREATOR (CHINA) TECH CO.,LTD
△		比例	1:1		
△		版本	A.0		



文件编号		表序号		QR-066/A.2	
△		无特殊说明尺寸公差执行方法: 1.一般公差:按GB/T1804-2008 2.形位公差:按GB/T1182-2008 3.表面粗糙度:按GB/T10613-2008 4.未注公差:按GB/T1804-2008	一般公差	设计	校对
△		日期	图样标记	数量	比例
△		零件代码	零件名称	材料	工艺
△		产品名称	CRT-571N	电话	0755-26710345
△		传真	0755-26710105	深圳市创自技术有限公司	CREATOR (CHINA) TECH CO.,LTD
△		比例	1:1		
△		版本	A.0		