



GRYPHON™

THE NEXT GENERATION OF COIN VALIDATION

Leading the market in speed, security, and recognition, CPI delivers the next generation of coin acceptance technology

- CPI Synq™ module compatibility provides access to mobile maintenance and repair guides
- Mobile device connectivity, paired with Simplifi™ mobile app, reduces at-machine service time by up to 50%
- Three motors deliver faster payout and increased reliability
- Proprietary sensing technology delivers industry leading fraud protection and future-proofed operation
- Enhanced configuration options allow 12% more capacity for more payout flexibility and fewer change-fill visits
- USB connection ensures seamless upgrades and data retrieval, reducing at-machine upgrade time by up to 80%

Pair the Gryphon coin changer with the CPI Synq module for a fully-connected solution.



Gryphon Coin Changer Specifications & Benefits

Configuration and Options

Coin Tubes

- Six

Power Consumption

- Standby: 5 Watts
- Acceptance: 10 Watts
- Full Stack Max: 50 Watts

Specifications

Acceptance Rate

97% or greater for all coins at nominal conditions.

Power Requirements

24VDC, 34 VDC MDB

Interfaces

MDB, EXEC, BDV, and VCCS

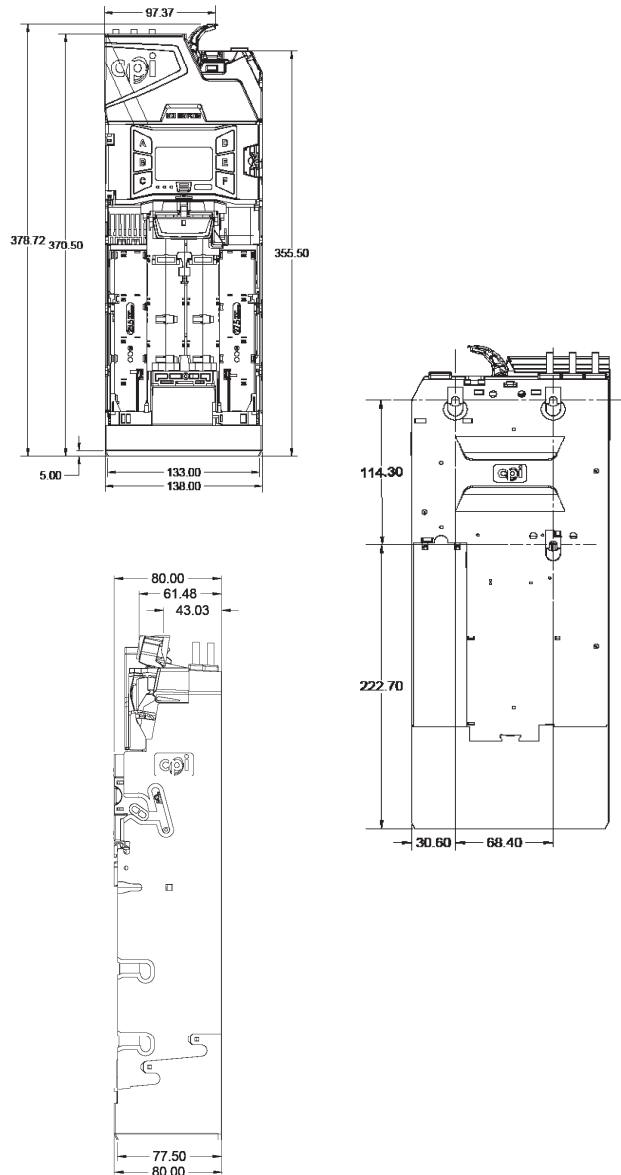
Connectivity

USB, IrDA, Bluetooth

Support Tools

STS Software, CPI Synq

Visit CranePI.com/Gryphon to learn more.



CPI has made every effort to assure that the information in this document is accurate. However, we cannot be held responsible for any errors or omissions. © 2019 Crane Payment Innovations. All rights reserved.

CranePI.com

Product Information

OVERVIEW

SPECIFICATION

VARIANTS

ACCESSORIES

DOWNLOADS

Number of Tubes

- 6 tubes

Coin Diameter

- Coins 15mm - 33mm in diameter

Coin Thickness

- Coins 1.2mm - 3.3mm thick

Input speed

- 2 coins per second

Output Speed

- 6 coins per second

Interfaces Supported

- Serial: MDB, MDB + Executive, MDB + BDV, JVI/VCCI, USB, Executive

Operating Temperature

- -25°C to 60°C

Power Requirements

- 12 V DC - 24 V DC = Executive, 34 V DC = MDB

Tube/coin Level Recognition System

- Acoustic, Sonar

Support Tools

- STS Software
- CPI Synq

Audit

- USB, IrDA, Bluetooth

Acceptance Rate

- >95%

Dimensions (mm)

- 371 x 138 x 80 mm

Product Information

OVERVIEW

SPECIFICATION

VARIANTS

ACCESSORIES

DOWNLOADS

G1: Payment Master

- Full audit capability
- Closed site payment
- Configuration via USB and PC
- Sonar tube measurement with auto-float

G2-B: Change Manager

- IrDa
- Configuration via USB and PC
- Sonar tube measurement with autofloat

G2-X: Coin Changer

- Standard tube level sensing
- Sonar tube measurement (no autofloat)
- Configurable via PC only

Product Information

OVERVIEW

SPECIFICATION

VARIANTS

ACCESSORIES

DOWNLOADS

CPI Synq

Eliminate unnecessary service calls and reduce downtime with CPI Synq —the vending industry's first cash hardware connectivity solution.

This mobile connectivity module communicates live payment system data via the Simplifi mobile app to help operators track and monitor device health.



Providing powerful insights into the payment system, Synq is the key to eliminating unnecessary technician visits by instantly identifying commonly misunderstood payment device problems.

When paired with the Simplifi mobile app, Synq allows users to use step-by-step troubleshooting and videos to help repair payment devices without the help of a technician. This internal connectivity solution is compatible with Gryphon, Talos, and the Simplifi mobile app.

STS Advance™

STS Advance™ provides operators with flexibility and control on machines that have SC family products integrated. It supports a full range of configuration and software update functions with user-friendly software and handheld tools so you can:



- Reconfigure new/multiple currency software and configuration data
- Monitor the performance of your Cashflow field base
- Collect unit performance and report audit data
- Support PPM and PPM Advance

STS Advance is designed to be user friendly with minimal training. You can meet your unique support needs quickly and easily.