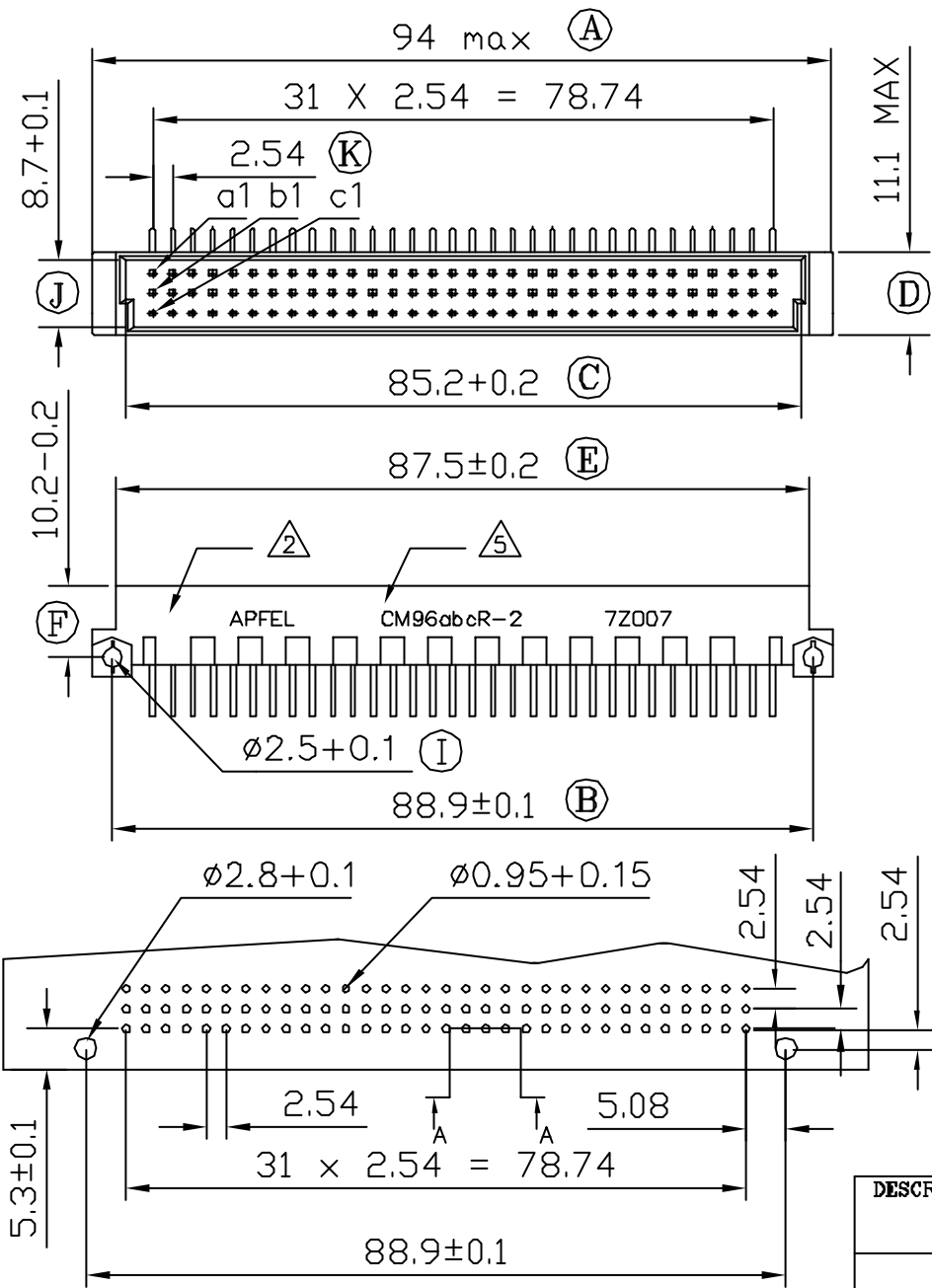
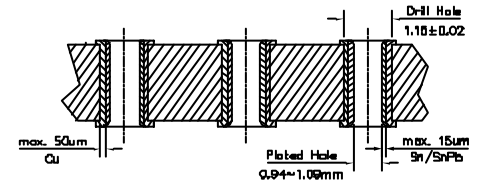
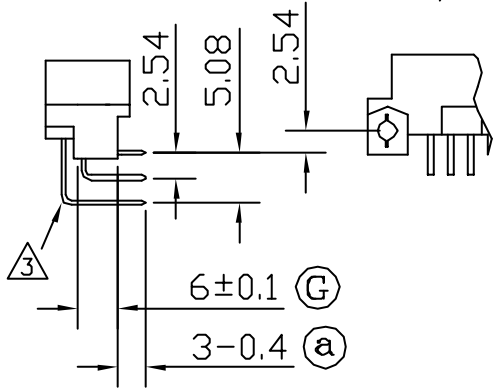


REV	DESCRIPTION OF REVISIONS	DATE	DRAWN	CHECKED
A	FIRST RELEASE	12/12/1997	ST Ling	H Shen



NOTES:

- ① CONNECTOR MEETS REQUIREMENT OF DIN 41612
- ② MATERIAL
  - HOUSING :GLASS-FILLED PBT, COLOR GREY, UL 94V-0
  - CONTACTS :BRASS
- ③ CONTACT TAIL DIMENSION
  - THICKNESS :0.48 ±0.03mm
  - WIDTH :0.48 ±0.03mm
  - TAIL LENGTH :3 - 0.4mm
- ④ CONTACT FINISH (OPTION IN PART NUMBER)
  - 1: 30u"(0.75um) GOLD PLATING ON MATING AREA, TIN PLATING ON TAIL AREA, FLASH GOLD PLATING ON NON-MATING AREA, NICKEL UNDERPLATE ALLOVER
  - 2: 15u"(0.38um) GOLD PLATING ON MATING, TIN PLATING ON TAIL AREA, FLASH GOLD PLATING ON NON-MATING AREA, NICKEL UNDERPLATE ALLOVER
  - BLANK: FLASH GOLD PLATING ON MATING AND NON-MATING AREA, TIN PLATING ON TAIL AREA, NICKEL UNDERPLATE ALLOVER
- ⑤ CONNECTOR PRINTED WITH COMPANY NAME, PART NUMBER, AND BATCH NUMBER
- ⑥ MATING SIDE LENGTH
  - STANDARD : 5.05-0.25mm
  - EXTENDED : 5.60+0.2/-0.05mm
  - SHORT : 4.25+0.1/-0.05mm



RECOMMENDED HOLE SPECIFICATIONS  
SECTION A-A  
SCALE 6 : 1

RECOMMENDED PCB HOLE LAYOUT  
COMPONENT SIDE  
SCALE 1 : 1

DESCRIPTION : MALE, TYPE C, 96/64 CONTACTS, RIGHT ANGLED SOLDER CONNECTORS CUSTOMER DRAWING				<b>APFEL</b>		MILLIMETRE	
PART NUMBER						X.XXX ±0.012	X.XX ±0.05
NO.1	CM96abcR-1	NO.4	CM64acR-1	DRAWN	UNITS	ANGLE	
NO.2	CM96abcR-2	NO.5	CM64acR-2	ST Ling	mm	±1°	
NO.3	CM96abcR	NO.6	CM64acR	CHECKED	SCALE	REV	DRAWING NO.
				H Shen	1:1	A	FO012.DWG